

SANTEC

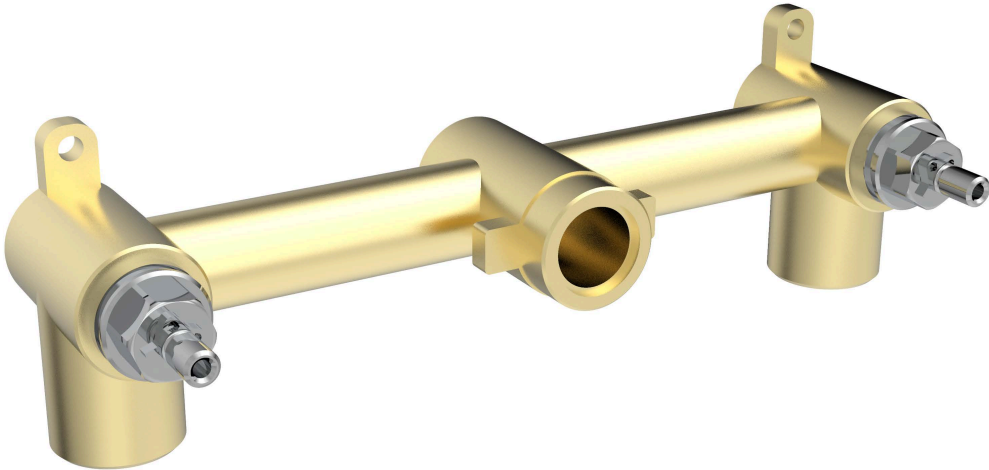
FLUID IMAGINATION

WALL MOUNT WIDESPREAD

Liza Wall Mount Widespread
5129LZ** & 5129XL**



WM-0020 Valve



Valve

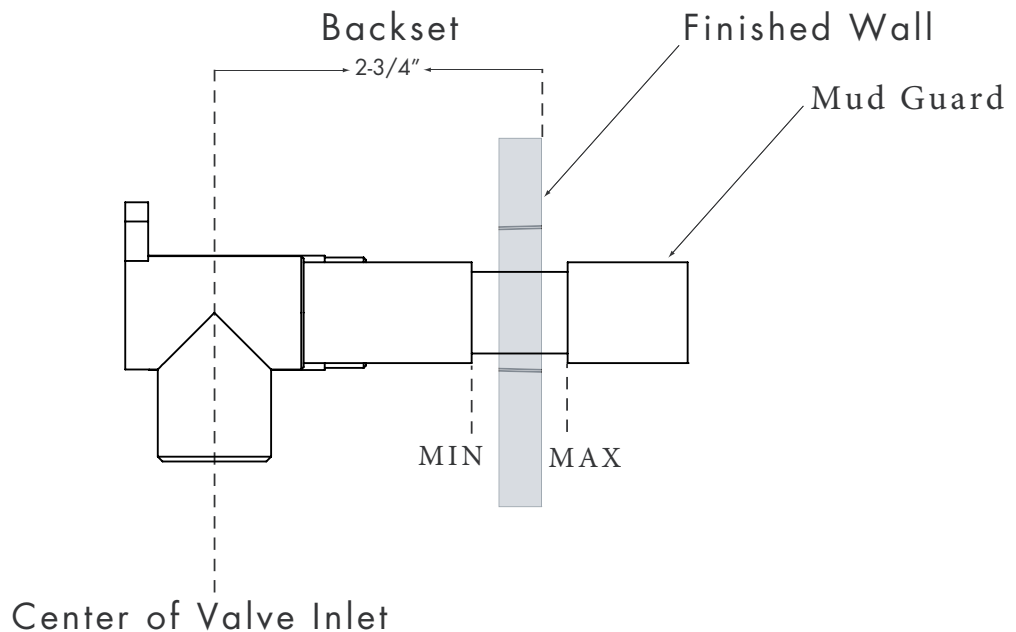
NOTE: Hole size for the spout and handle is 1-1/4"

Valve Installation (1)

NOTE: Where tile construction is planned for the finished walls, allow for extra thickness dimensions when roughing in the valves.

Determine where the finished wall will be. This measurement is necessary to accurately plumb in the valve.

Install the valve making sure that the measurement between the center of the valve inlet and the outside of the finish wall is 2-3/4". This measurement is called the backseat. The MIN/MAX label on the mudguard can be used as a guide.



Valve

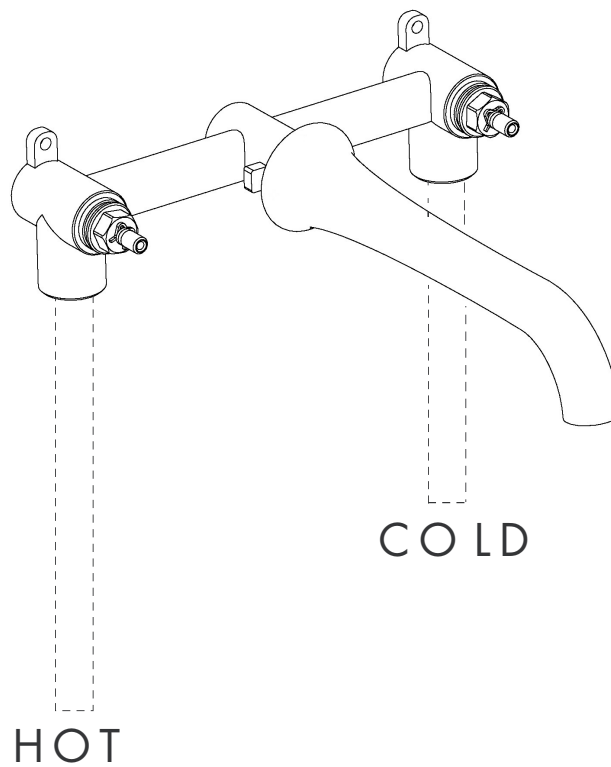
NOTE: Test for proper function before closing walls.

Valve Installation (2)

Using 1/2" IPS, connect corner the valves to the spout base at the desired spread.

Again, allow no more than 1-1/4" diameter holes for the spout and handles.

BACKSET FROM FINISH WALL



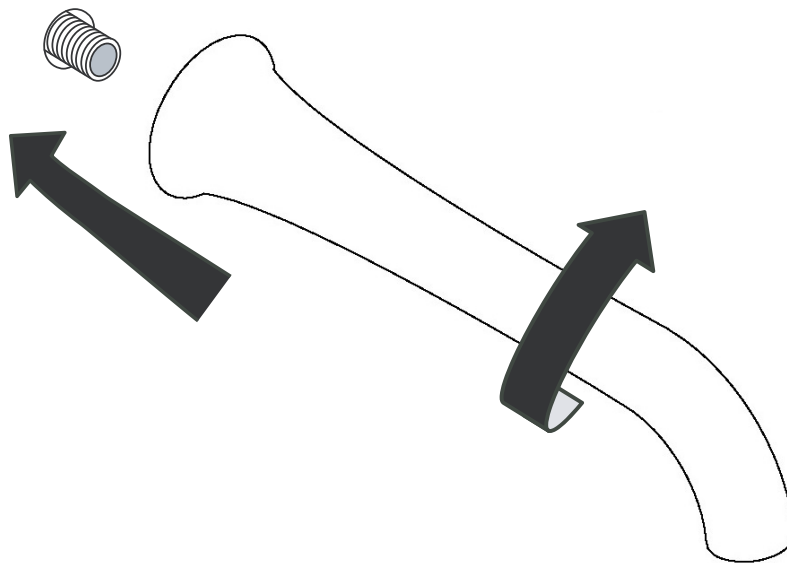
Spout

Spout Installation

NOTE: The length of threaded pipe coming out from the finish wall should be no longer than 1/2".

Wrap the pipe threading for the spout with Teflon tape. Then thread the spout onto the pipe until it is secured with the spout facing downward.

WARNING: Do not use excessive force when threading the spout.



INSTALLATION INSTRUCTIONS

TEST FOR PROPER FUNCTION BEFORE CLOSING WALLS!

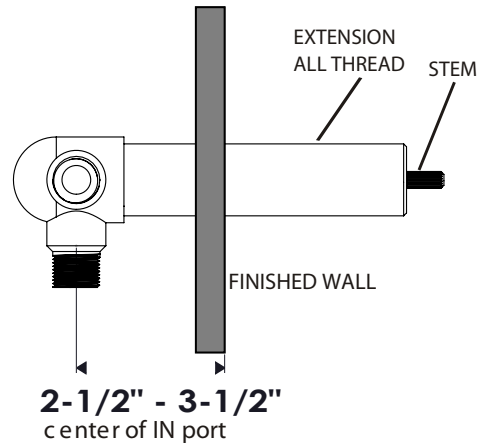
FLUSH BOTH SUPPLY LINES BEFORE INSTALLATION
AFTER FLUSHING , SHUT OFF BOTH SUPPLY LINES.

MINIMUM HOLE SIZE FOR THE HANDLE TRIMS IS 1 5/8" AND MAXIMUM OF 1 3/4"

INSTALLATION INSTRUCTION

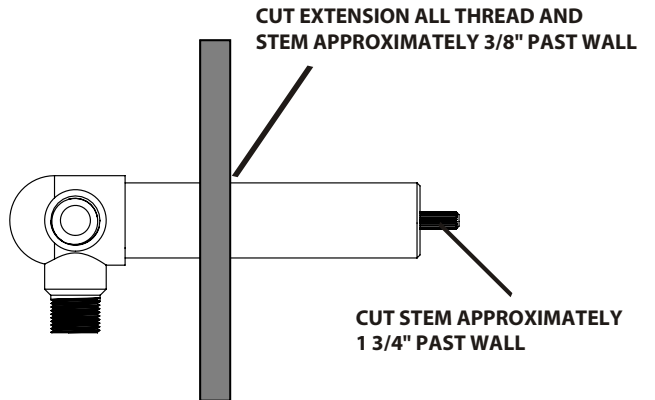
INSTALLING THE VALVE WITH THE TRIM

1- Install the valve onto the wall with at least 2-1/2" space between the center of the valve inlet and the finished wall.



2- Screw the extension all thread and stem onto the valve making sure it is all the way in.

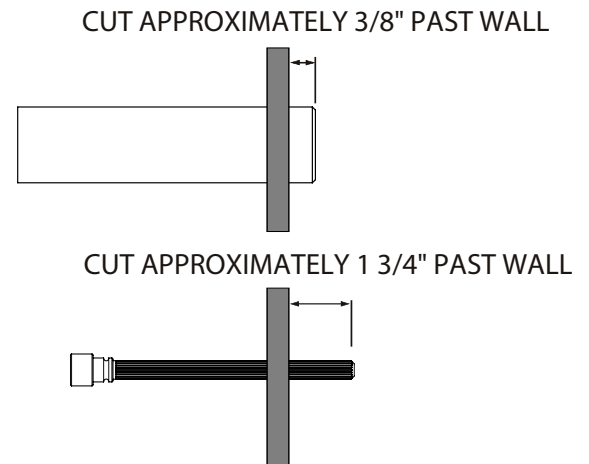
3- Mark the extension all thread sleeve and broach extension to fit. For the sleeve, leave past wall approximately 3/8" to attach trim.



For the broach extension, leave past wall 1 3/4" to insert into trim. Must measure before cutting.

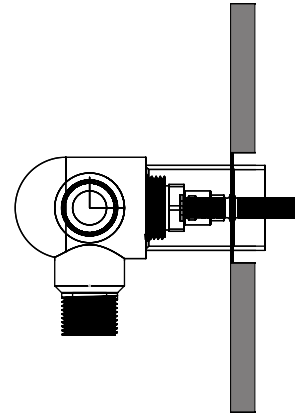
***MUST MEASURE FOR EXACT FIT.

4- Cut off the excess All Thread and Stem.



INSTALLATION INSTRUCTIONS

5 - Replace the handle onto the stem.
Tighten the handle set screw firmly.



6 - Apply the finish trim.

