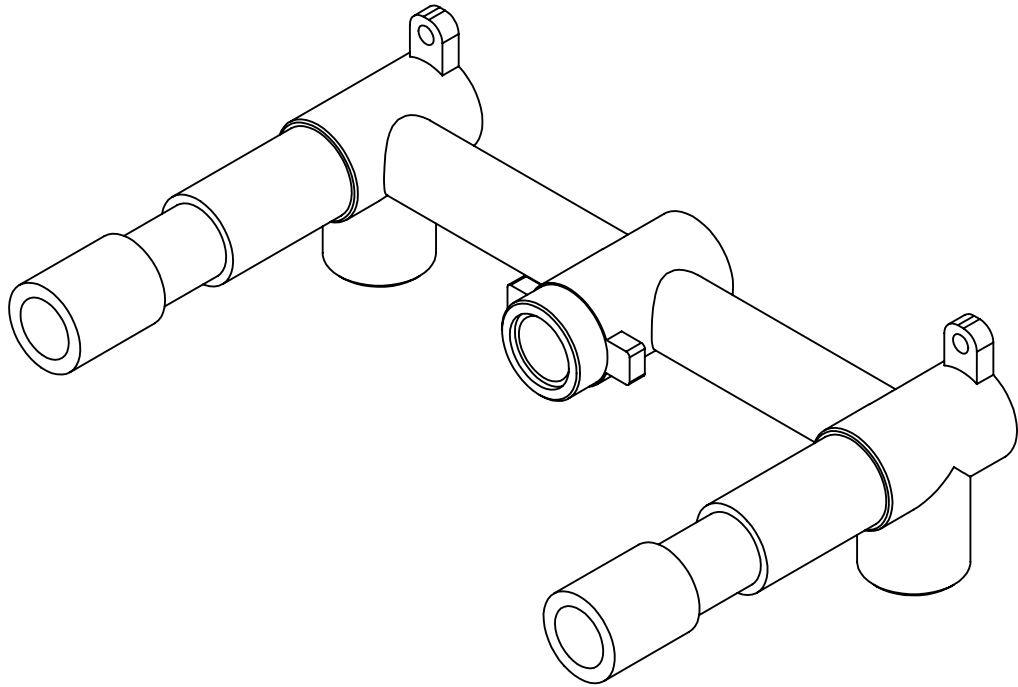


SANTEC

FLUID IMAGINATION

DESIGNER SERIES

WALL MOUNT WIDESPREAD VALVE



Valve

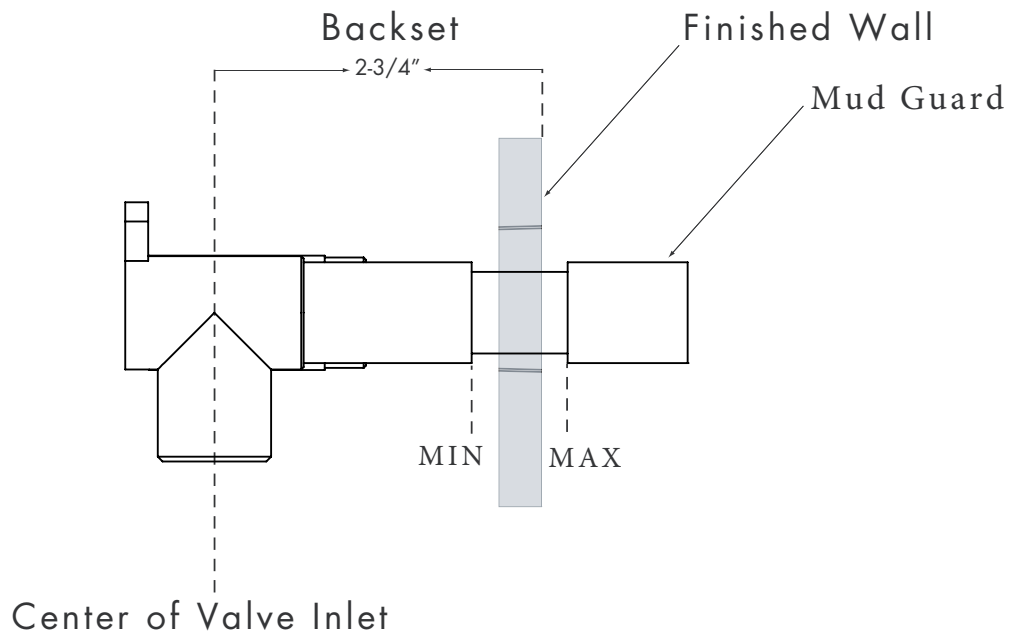
NOTE: Hole size for the spout and handle is 1-1/4"

Valve Installation (1)

NOTE: Where tile construction is planned for the finished walls, allow for extra thickness dimensions when roughing in the valves.

Determine where the finished wall will be. This measurement is necessary to accurately plumb in the valve.

Install the valve making sure that the measurement between the center of the valve inlet and the outside of the finish wall is 2-3/4". This measurement is called the backseat. The MIN/MAX label on the mudguard can be used as a guide.



Valve

NOTE: Test for proper function before closing walls.

Valve Installation (2)

Using 1/2" IPS, connect corner the valves to the spout base at the desired spread.

Again, allow no more than 1-1/4" diameter holes for the spout and handles.

BACKSET FROM FINISH WALL

