



Rough

WARNING: FAILURE TO FOLLOW THESE INSTRUCTIONS, OR IMPROPER OPERATION, MAY DAMAGE THE VALVE AND VOID THE WARRANTY.

IMPORTANT: Do not remove the control spindle cover until instructed. Accidentally turning the control spindle will change the temperature setting, which is pre-calibrated from the factory.

Remove the large plastic mud guard from valve. DO NOT discard plastic mud guard.

Install the tub plug into the bottom outlet. Leave it unplugged if including a tub spout. For details and diagrams of different shower/tub schemes, see the Installation Options (page 9-10).

Completely flush the lines of all dirt and debris (metallic shavings, flux, etc.) prior to installing the thermostatic valve to the supply lines.

IMPORTANT: DO NOT SOLDER DIRECTLY TO THE VALVE. THIS WILL DAMAGE THE SERVICE/CHECK STOPS AND THE TEMPERATURE CONTROL ELEMENT. USE TEFLON TAPE OR PLUMBER'S PIPE COMPOUND TO SECURE ALL CONNECTIONS TO THE VALVE.

Connect the HOT water supply to the left inlet of the valve (RED) and COLD supply to the right inlet of the valve (BLUE). See Diagram A.

Secure valve position in the wall using the **BLACK** min/max adjustment lines on the mud guard. Ignore the **GREEN** min/max adjustment lines. Make sure the lines are against the finished tile wall, not the concrete. For the maximum hole cut-out measurement in finished wall see Diagram B.

Connect the top outlet pipe to shower connections and bottom outlet pipe to tub spout (depending on the shower/tub scheme chosen).

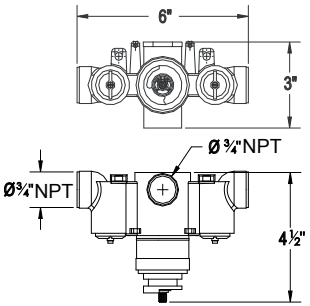
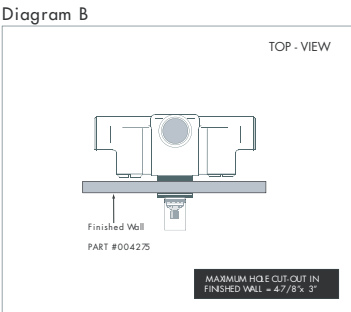
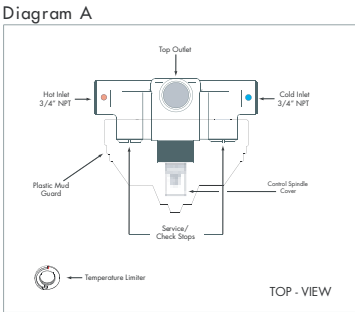
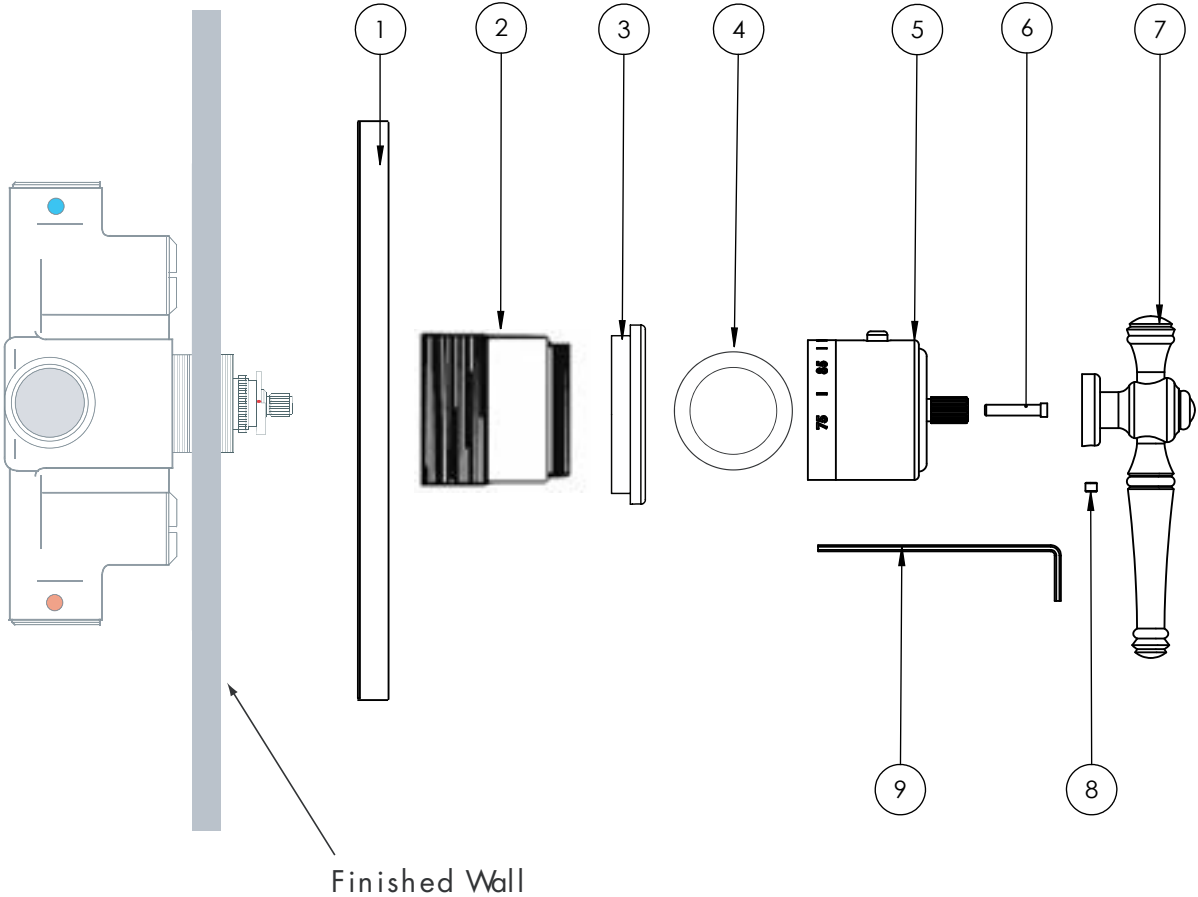
Remove the plastic control spindle cover and install the Temperature Limiter with the "red mark" positioned exactly at 12 o'clock. Remember to not turn the control spindle while installing the Temperature Limiter.

Re-install the large plastic mud guard back onto the valve and do not remove it until trim arrives.

Trim

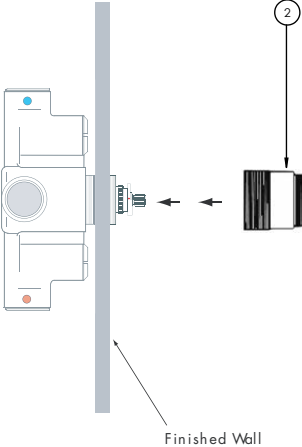
Parts Breakdown

- 1. Plate
- 2. Sleeve
- 3. Lock Nut
- 4. Teflon Washer
- 5. Dial
- 6. Screw
- 7. Handle Assembly
- 8. Set Screw
- 9. Allen Key

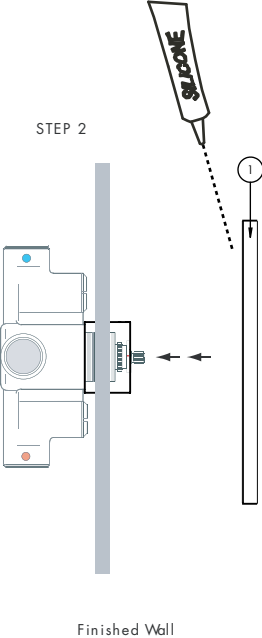


Trim Visual Installation

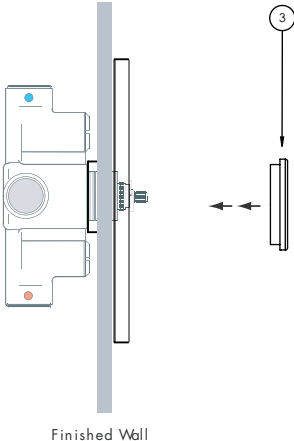
STEP 1



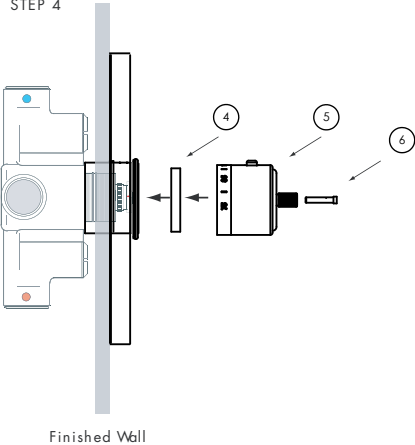
STEP 2



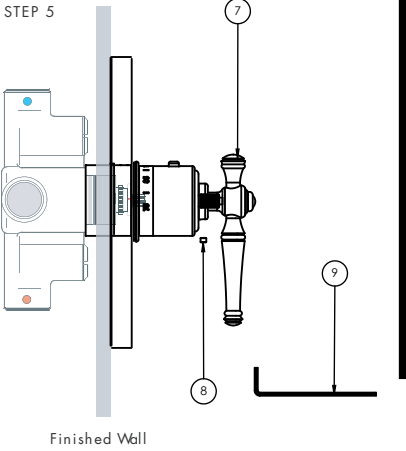
STEP 3



STEP 4



STEP 5

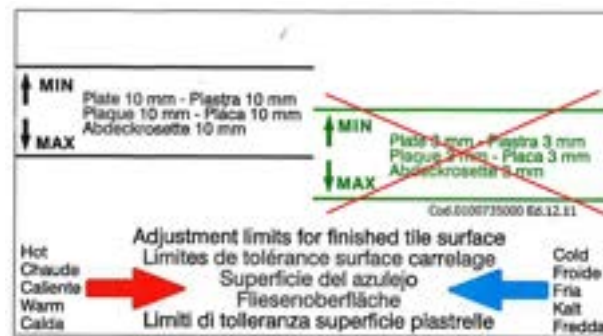


Trim

Installation

IMPORTANT: Do not turn control spindle. Accidentally turning the control spindle will change the temperature setting, which is pre-calibrated from the factory.

When securing valve position in the wall, use the **BLACK** min/max adjustment lines on the mud guard. Ignore the **GREEN** min/max adjustment lines. See below.



Remove plastic mud guard

STEP 1: Thread the sleeve onto the valve.

STEP 2: Place silicone caulk around the rear perimeter of the trim plate and slip the trim plate over the installed sleeve.

STEP 3: Thread the lock nut over the sleeve, onto the plate, and tighten.

STEP 4: Place the teflon washer into the dial. Making sure that the button is exactly at the 12 o'clock position, align the dial over the sleeve and valve control spindle. Insert screw into dial and tighten just firm enough to allow the dial to turn freely. Do not over-tighten.

STEP 5: Now that the sleeve, plate, and dial are installed, place the handle assembly onto the dial. Secure the handle with the set screw and tighten using the provided allen wrench.

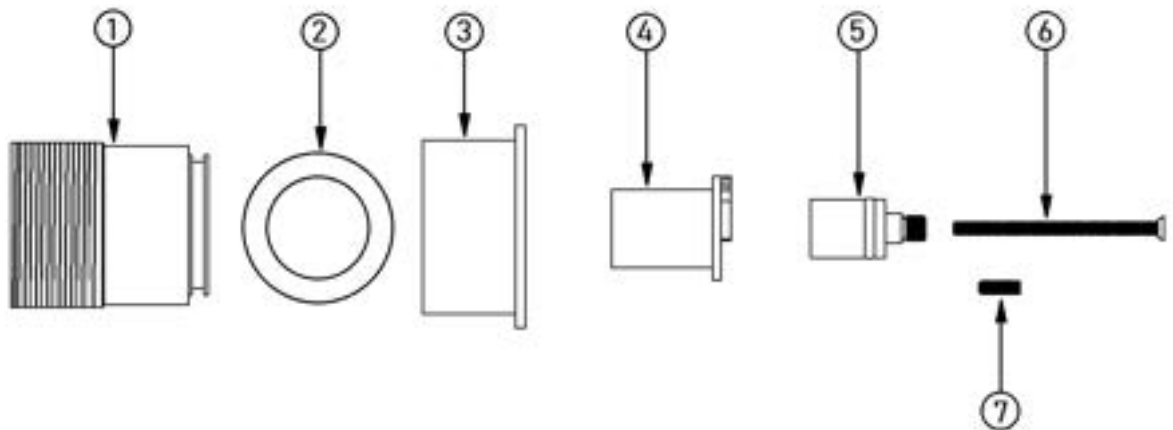
Optional Thermostatic Extension

Optional item for additional purchase. Not included.

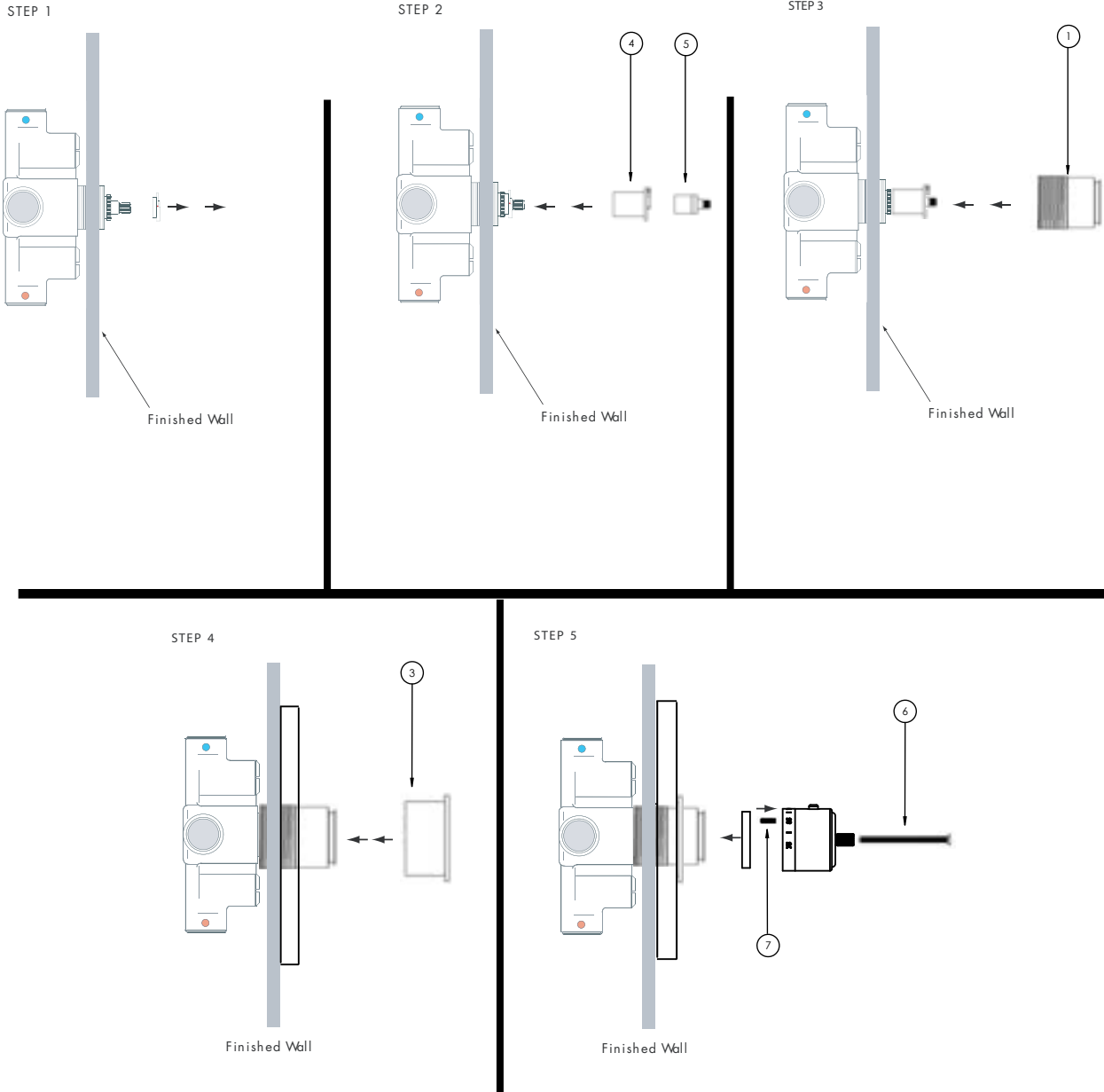
To be used and only necessary if valve is placed in the wall too far beyond the MIN/MAX limits or tile is too thick where the included sleeve is not long enough to connect to the lock nut. Please note this is a custom finish item with matching lead times.

Parts Breakdown

- | | |
|-----------------------------------|-------------------------|
| 1. Extension Sleeve | 5. Stem Extension |
| 2. Teflon Washer | 6. 65mm Screw w/ O-Ring |
| 3. Extension Lock Nut | 7. 1/2" Set Screw |
| 4. Extension Thermostatic Limiter | |



Thermostatic Extension Visual Installation



Thermostatic Extension

Installation

STEP 1: Remove the original thermostatic limiter from the valve.

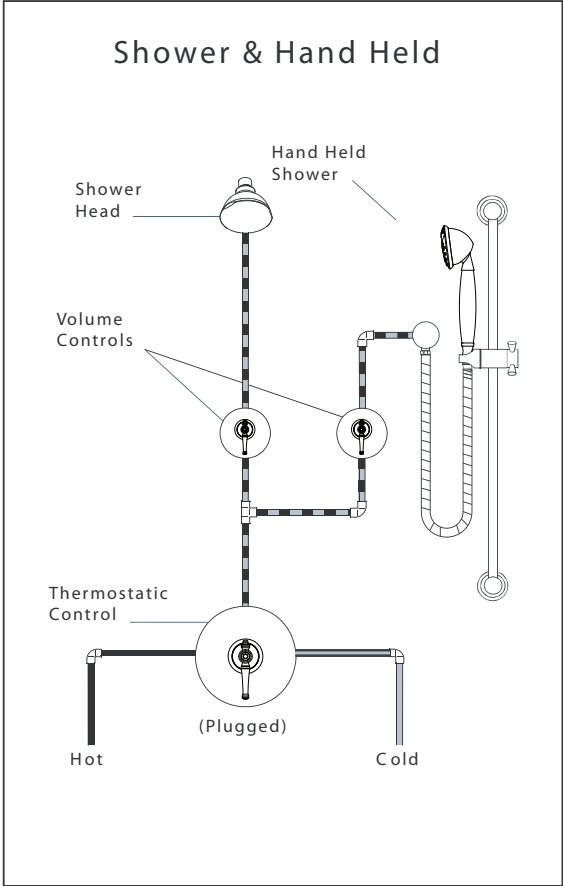
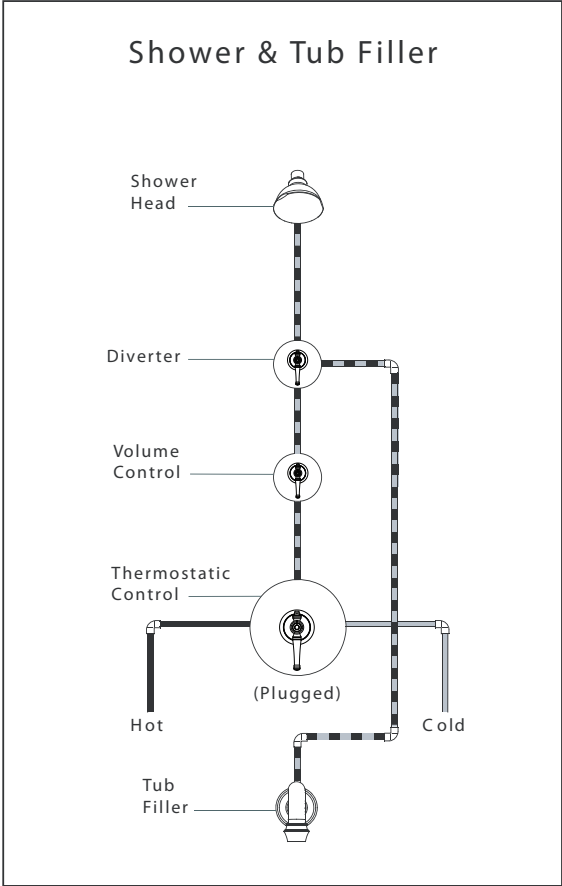
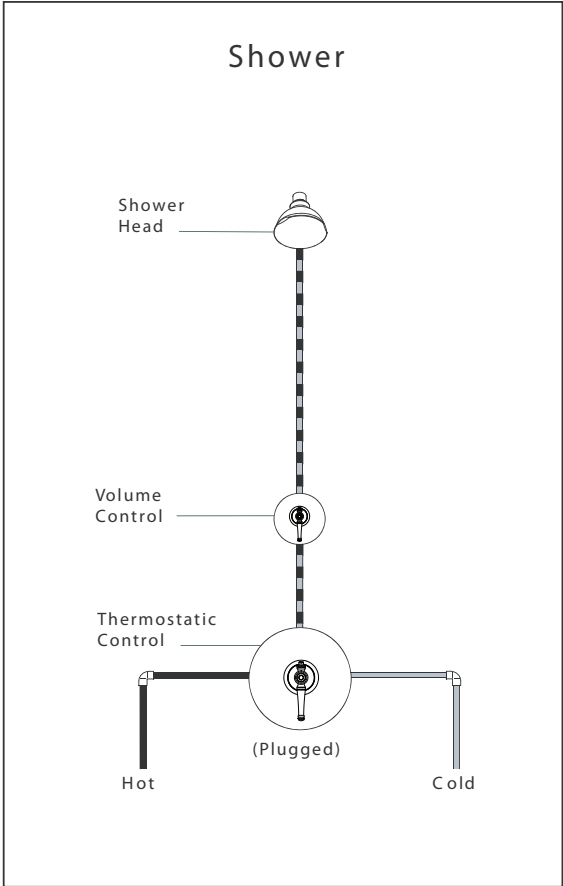
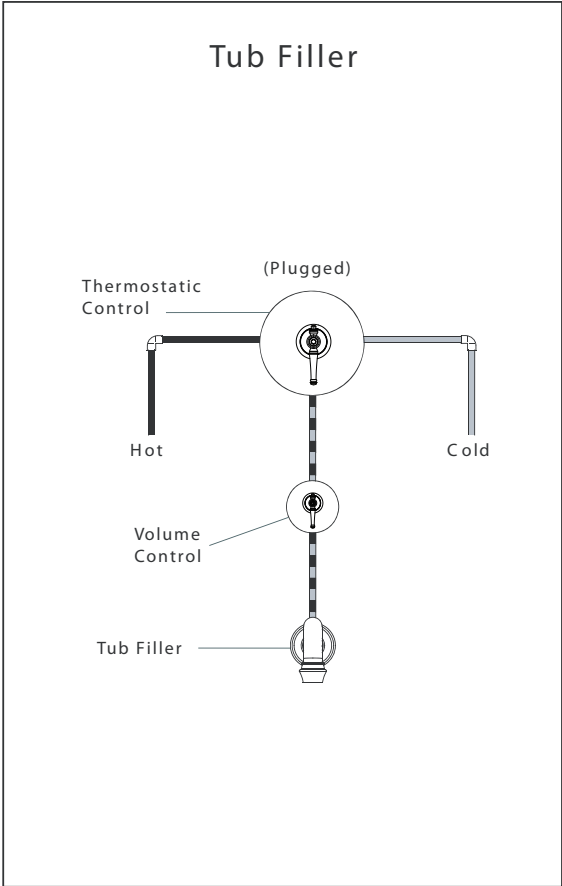
STEP 2: Insert the extension thermostatic limiter and stem extension.

STEP 3: Thread the extension sleeve onto the valve.

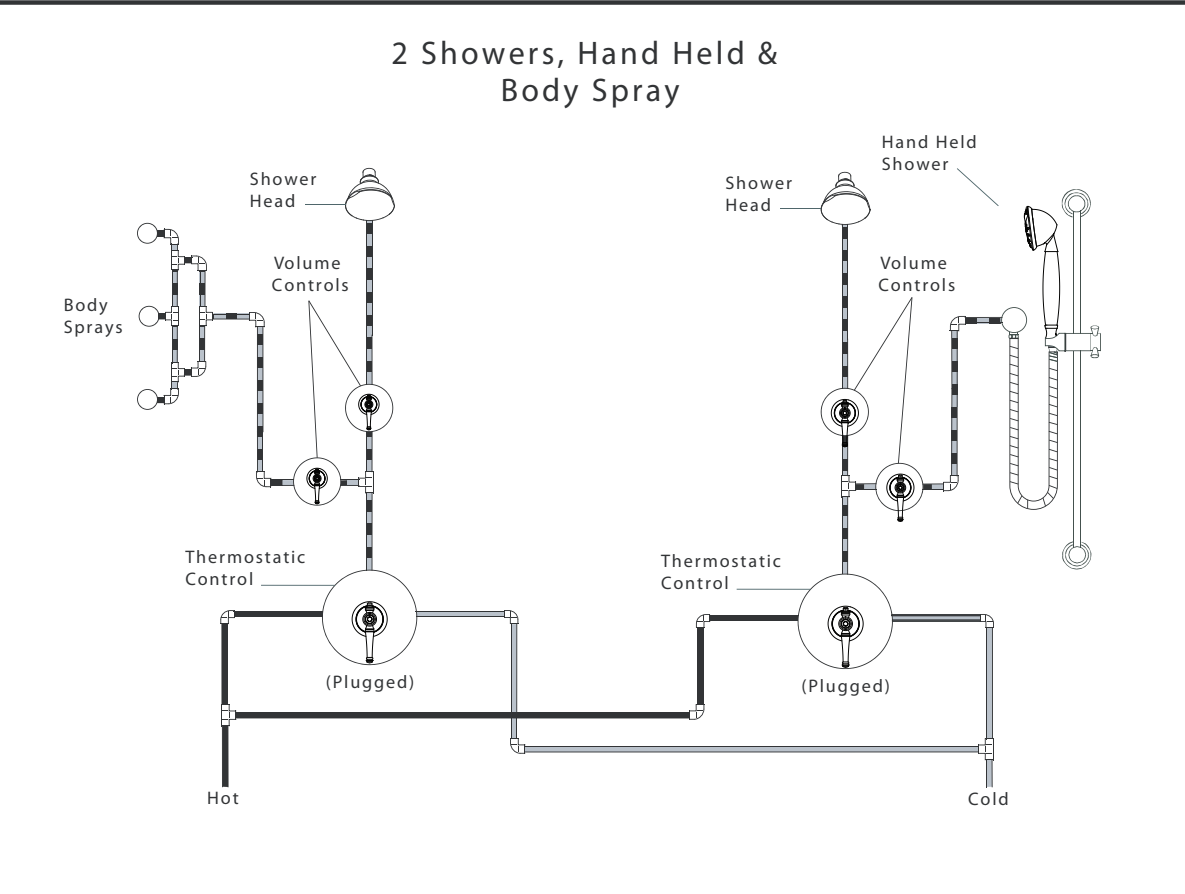
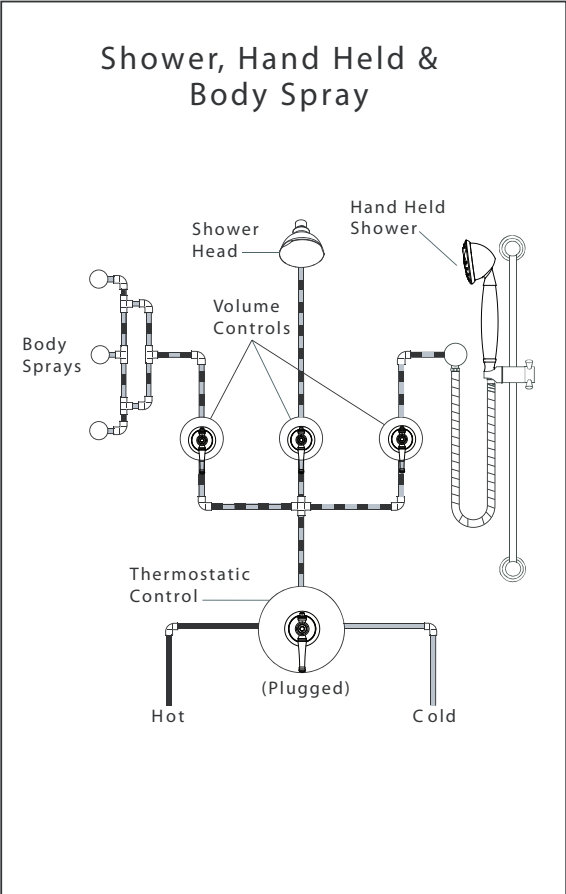
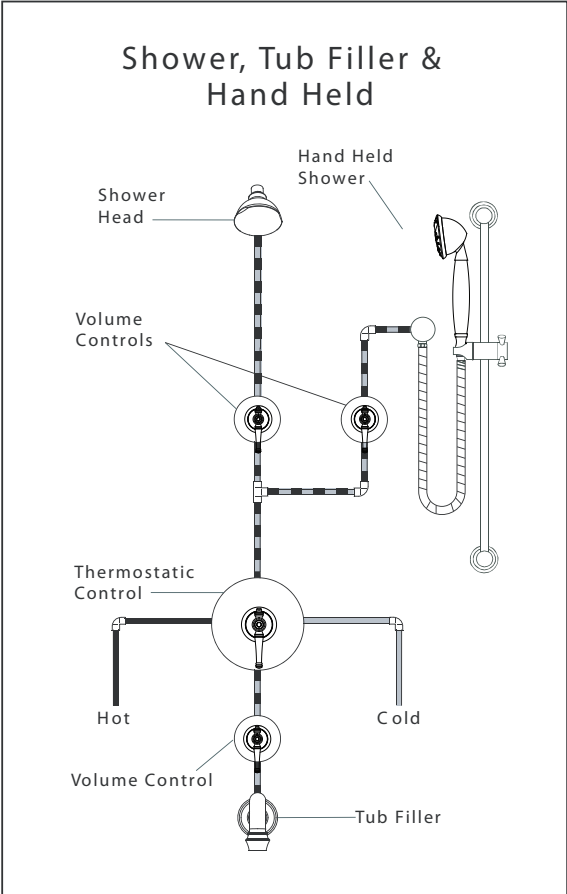
STEP 4: After trim plate has been installed (refer to page 4-5), thread the extension lock nut over the sleeve, onto the plate, and tighten.

STEP 5: Before inserting the dial, replace the set screw behind the dial with the 1/2" set screw. Use the 65mm screw w/ o-ring and insert it into dial and tighten just firm enough to allow the dial to turn freely. Do not over-tighten. Resume installation as shown on page 4-5.

Installation Options



Installation Options

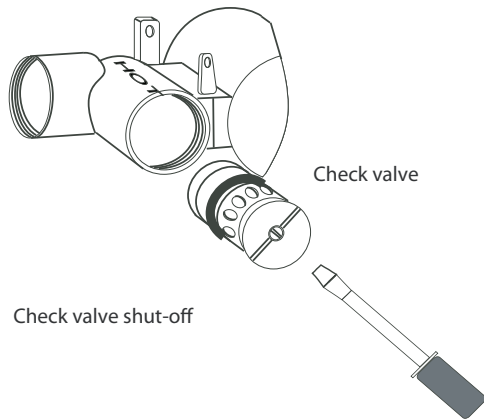


Maintenance

Filter Cleaning

DURING THE INSTALLATION OR THROUGH THE YEARS OF USE, DEBRIS AND IMPURITIES MAY CLOG THE FILTERS IN THE BOTH INLETS, CAUSING THE WATER TO BE RESTRICTED OR DECREASED CONSIDERABLY.

Please follow these instructions to clean the filters:



Shut off the water supply.

Remove the dial cap, screw, and dial.

Remove remaining assembly by carefully applying a plumber's wrench to the outside of the sleeve and turn counter-clockwise.

Remove nut from sleeve and then remove the plates from the wall.

Flush the debris with water. If necessary, soak in a 50/50 mix of white vinegar/water until all dirt is dissolved.

Oil the O-rings with vegetable oil and wipe the housing with a wet cloth before reassembling.

Reinstall the valves.

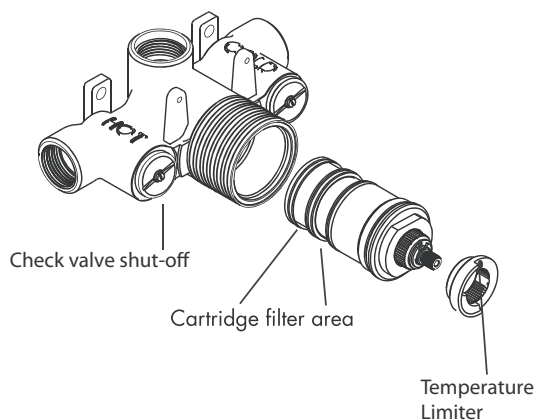
To fully open the water flow through the valve, make sure the check valve shut off mechanism is fully open (Turn the mechanism counter-clockwise to increase the water flow).

Maintenance

Cartridge Cleaning

AFTER YEARS OF USE, IMPURITIES AND LIME SCALE CAN RESTRICT THE WATER FLOW.

Please follow these instructions to clean the cartridge:



Remove the dial cap, screw, and dial.

Remove remaining assembly by carefully applying a plumber's wrench to the outside of the sleeve and turn counter-clockwise.

Remove nut from sleeve and then remove the plates from the wall.

Shut off the water line by turning the check valve shut off mechanism clockwise. Make sure that both hot and cold sides are closed.

Gently remove the cartridge using a 24MM wrench or an adjustable wrench.

Wash the filter under running water. If necessary, soak in a 50/50 mix of white vinegar/water until all dirt is dissolved.

Oil the O-rings with vegetable oil and wipe the housing with a wet cloth before reassembling.

Carefully reassemble the cartridge.

Open the water flow by turning the check valve shut off mechanism counter-clockwise and check water flow.

If the water flow is normal, reassemble the trim (see "Trim" section for installation and proper positioning of the thermostatic settings).