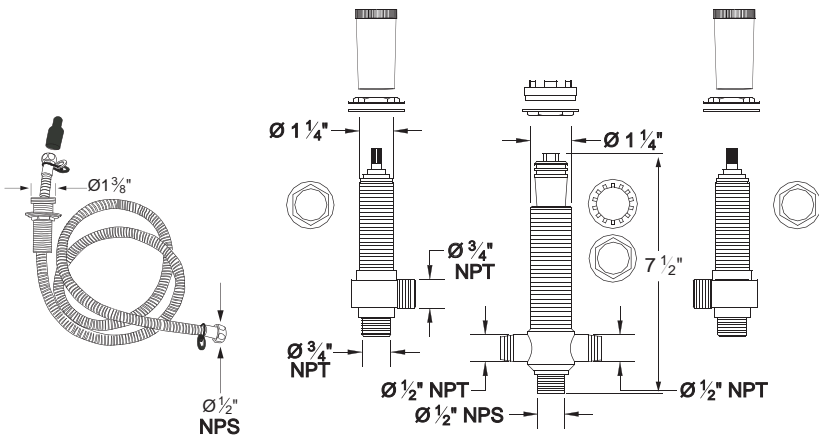
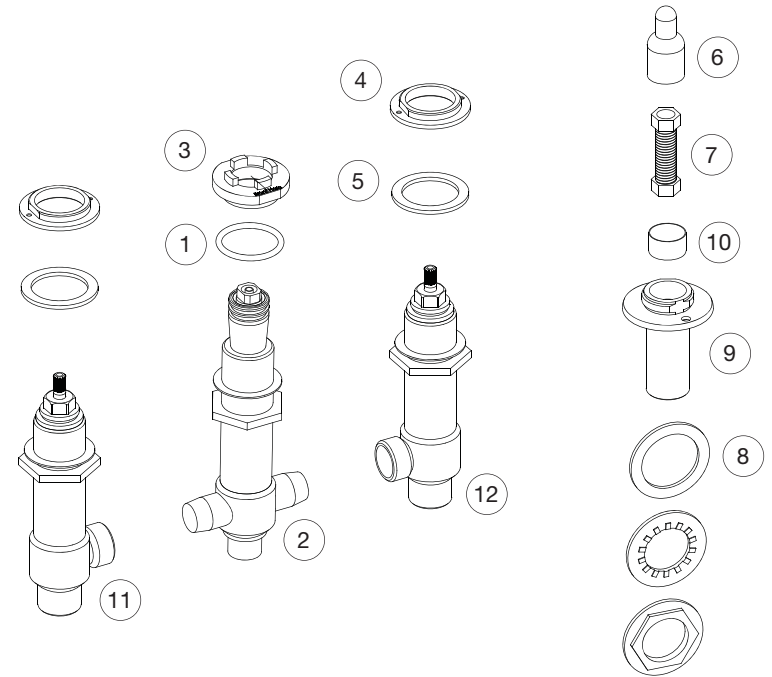


**ROUGH FOR ROMAN TUB FILLER
WITH HAND-HELD SHOWER**

MODEL: P0004
COLLECTION: Klassica



PARTS BREAKDOWN



DESCRIPTION

- 1 O-Ring
- 2 Quick Connect w/ Diverter
- 3 Lock Nut
- 4 Valve Lock Nut
- 5 Washer
- 6 Cap Vinyl
- 7 Hose
- 8 Mounting Hardware (3 pcs)
- 9 Flange Mount
- 10 Polyethylene Washer
- 11 3/4" Valve Hot Short 20 Key
- 12 3/4" Valve Cold Short 20 Key

SPOUT

Rough Installation For Spout

Hole size for the spout shank and handle valves are minimum of 1¼" and maximum of 1½".

NOTE: Only remove protective cap while installing rough and when installing the trim. This will keep debris out of moving parts.

Turn off HOT and COLD supply lines before beginning installation.

Remove protective cap from the head of the shank. DO NOT THROW AWAY.

Unscrew the Lock Nut off of the shank and move down the Mounting Hardware a few inches (Figure A).

Apply a ring of silicone caulking around deck hole (Figure A). DO NOT USE PLUMBER'S PUTTY, WHICH CAN DAMAGE FINISH.

Slip the remaining Shank Assembly up and through the deck hole from underneath. While holding the assembly up and off of the silicone, thread the lock nut all the way back onto the shank until it bottoms out (Figure A).

NOTE: Find the "front here" mark, which is marked on the base of the Lock Nut, and make sure that it is facing forward (See magnified graphic in Figure B).

IMPORTANT: Set the shank down onto the ring of silicone with the "front here" mark facing forward. Use a long straight-edge to align the front of the lock nut parallel with the deck edge. From underneath, tighten the spout mounting hardware until secure (see Figure B).

Wipe away excess silicone with paper towel.

Fit the protective cap back onto the head of the shank until trim arrives.

SPOUT

Figure A

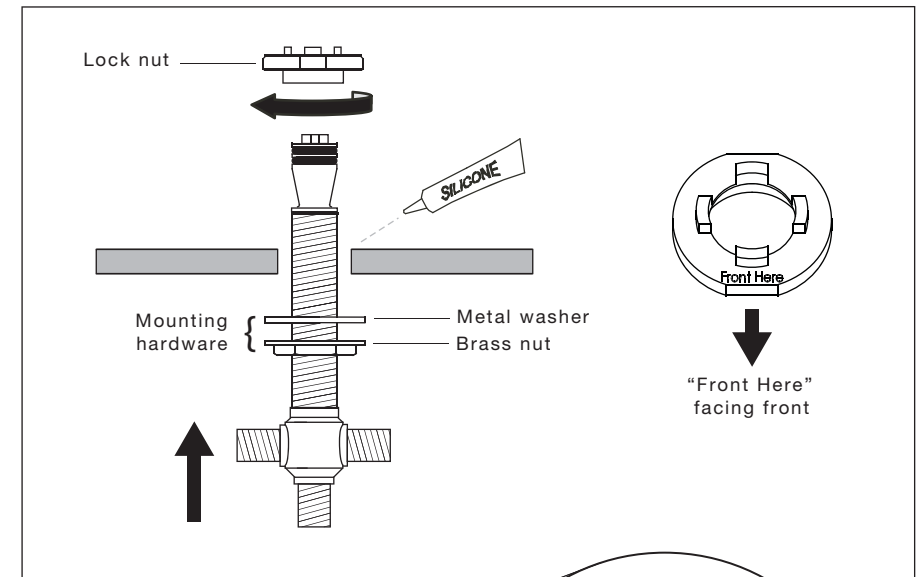
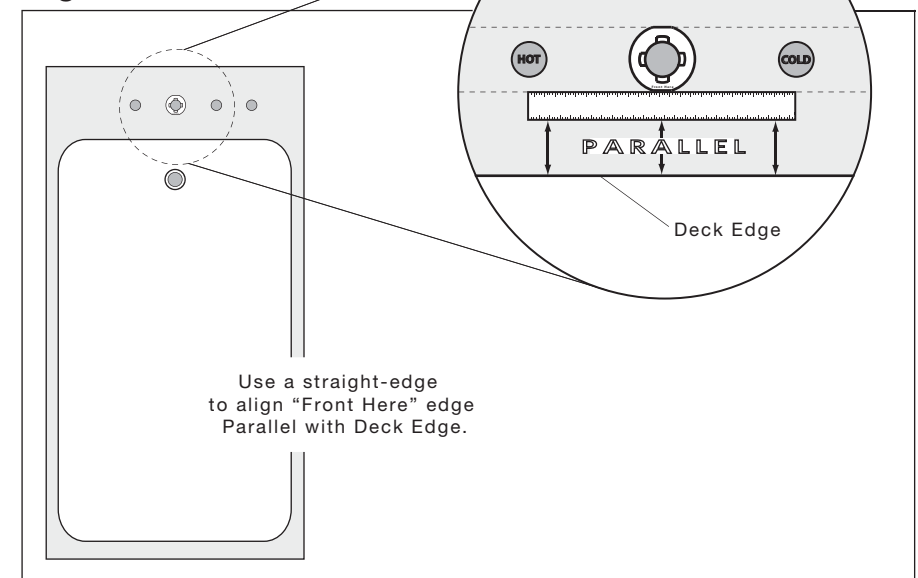


Figure B



HANDLES

Rough Installation For Handles

Remove valve cover from the valve.

NOTE: Hot valve "Red" mounted to left side.
Cold valve "Blue" to be mounted to right side.

Remove the top lock nut and top lock nut washer from the valve body.

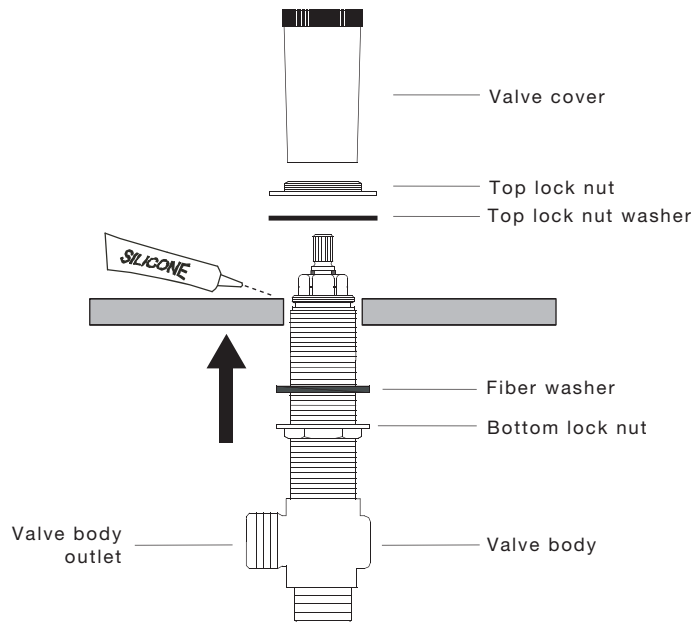
Apply a ring of silicone caulking around deck hole. DO NOT USE PLUMBER'S PUTTY, WHICH CAN DAMAGE FINISH.

Move the fiber washer and bottom lock nut down a few inches before installing valve.

Slip the valve body up and through the proper deck hole from underneath. Thread the top lock nut and top lock nut washer back onto the valve body and tighten down securely.

From underneath, tighten the bottom lock nut securely.

Fit the valve cover back onto the head of the valve until trim arrives.



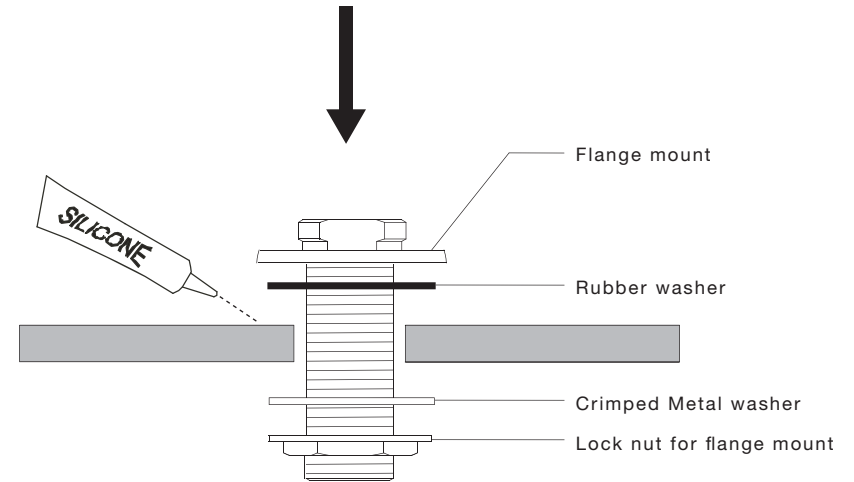
HAND SHOWER FLANGE

Rough Installation For Hand Shower Flange

Apply a ring of silicone around the flange mount hole on top of the deck.

Slip the flange mount and rubber washer through the flange mount hole and fasten by firmly tightening the lock nut from below.

Wipe away excess silicone with paper towel.



HOSE

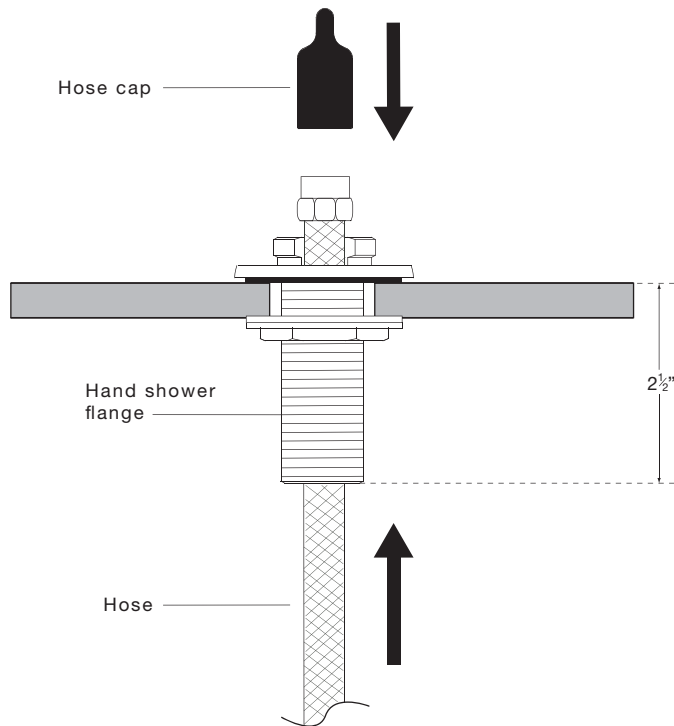
Hose Installation

NOTE: The measurement of the flange below the deck is 2-1/2".

Wrap teflon tape around the hand shower outlet ("OUT") of the diverter valve and connect and tighten the end of the hose to the hand shower outlet (see diagram on next page for diverter valve connections).

Remove the hose cap and feed the hose up through the hand shower flange. Re-attach the hose cap and leave it in place until trim arrives.

NOTE: You may want to secure the hose to the flange or loop the hose to prevent it from falling back through the deck.



COMPLETE ROUGH

