

SANTEC
FLUID IMAGINATION

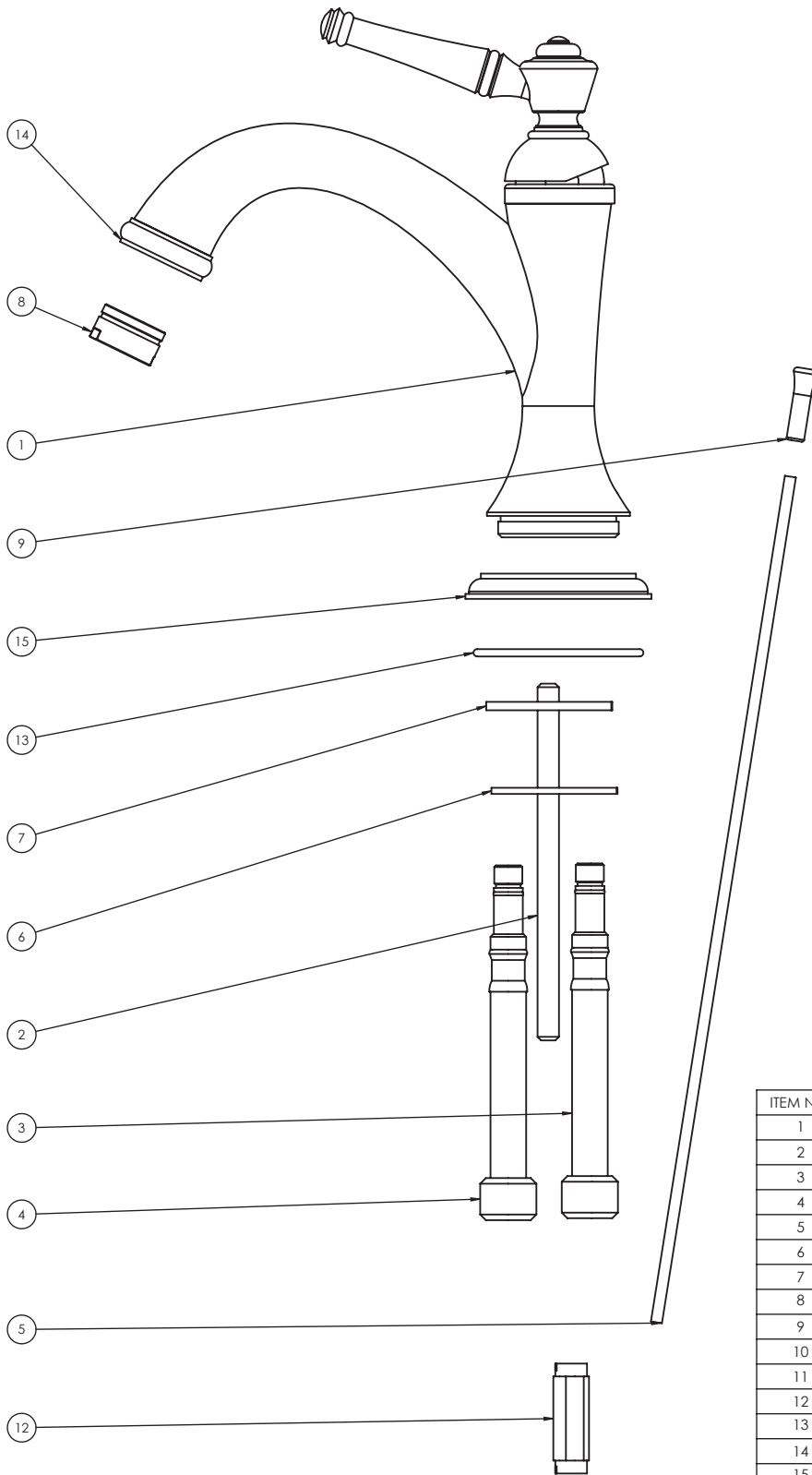
KLASSICA COLLECTION
SINGLE CONTROL

MODEL: 9580KL
9580BT
9580KT



KEEP THIS INSTRUCTION BOOKLET FOR FUTURE REFERENCE

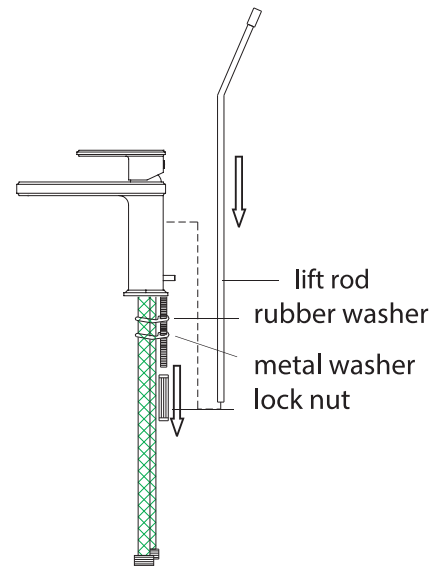
Important : Santec reserves the right to request additional documents before servicing warranty requests.



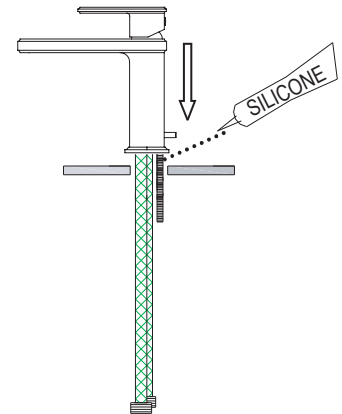
ITEM NO.	PART NUMBER	DESCRIPTION	QTY.
1	PS-2KL00-U-10	Klassica Single Control Body	1
2	K1304	Threaded Shank	1
3	K1321	Flexible Hose - Cold	1
4	K1322	Flexible Hose - Hot	1
5	P0234	Lift Rod	1
6	P0803	Rubber Pad	1
7	P0804	Pad	1
8	P0952-U	Aerator Housing	1
9	PH9728	Klassica Lift Knob	1
10	PM-1068	Aerator	1
11	PM-306	Washer	1
12	PM-383	Lock Nut	1
13	PM-961	O-ring	1
14	PS-2KL00-U-3	Klassica Aerator	1
15	PH1018	Flange	1
16	P0356	25mm Control Cartridge	1
17	PH9727	Klassica Single Control Dome	1
18	PM-1182	Klassica Single Control Lock Nut	1
19	PH1022	Klassica Traditional Lever	1
20	PM-021	Set Screw	1
21	PM-1183	M4 x 0.7 for the Single Control Valve	1
22	PH9729	Klassica Traditional SC Dome	1

SPOUT INSTALLATION

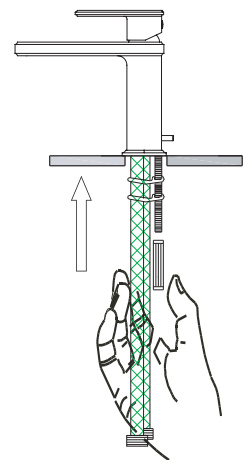
- 1 Remove fastening nut, metal washer and rubber washer from spout assembly. Insert the lift rod into the fixture.



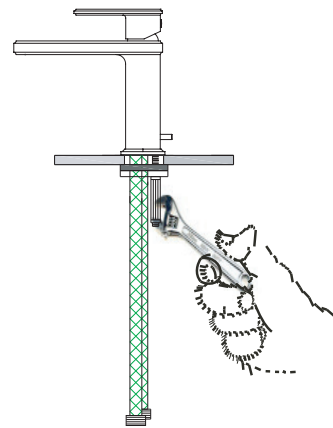
- 2 Apply a ring of silicone caulking around hole designated for spout. **DO NOT USE PLUMBERS' PUTTY WHICH CAN DAMAGE FINISH.** Insert faucet assembly through hole in sink or counter top, being sure to center faucet in hole.



- 3 Reinstall rubber gasket and metal washer from below. Hand tighten fastening nut from below while aligning fixture.



- 4 Secure fixture from below by using either an adjustable wrench, basin wrench, or deep socket to the lock nut. Wipe away excess silicone with a wet finger or damp cloth. Connect flexible hoses to their respective water supplies.



NOTE: FLUSH THE LINES

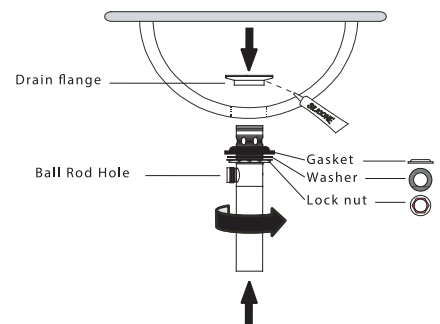
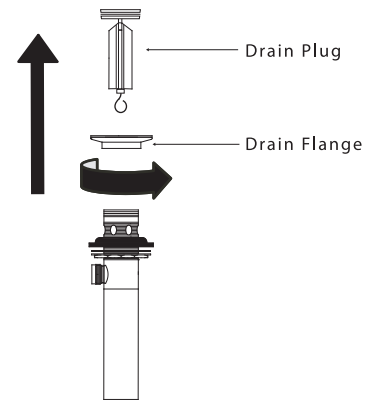
Debris in the line will damage fixture and cause leaking. Failure to flush fixture could result in voiding the warranty. After all the connections have been made to the inlet supplies, remove the aerator. Open both hot and cold valve. Slowly open the handle lever and flush the lines for approximately 45 seconds. Turn off the water and reinsert aerator.

The measurements shown are for reference only. Products and specifications shown are subject to change without notice.

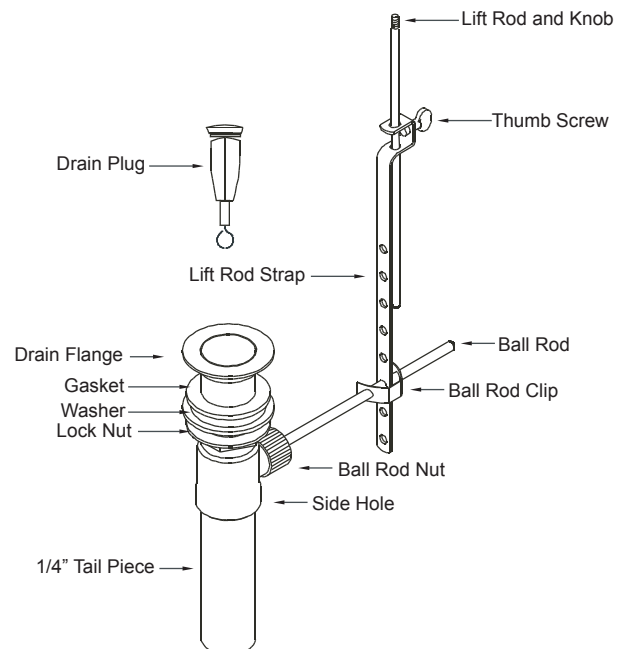
www.santecfaucet.com | P: 310.542.0063 F: 310.542.5681

POP-UP INSTALLATION

- 1 Remove the decorative drain flange, drain plug and gasket from pop-up assembly. Do not remove the washer and lock nut.
- 2 Place the flange gasket onto the drain tube beveled side upward and on top of the washer. Apply a ring of silicon caulking around the top of sink drain opening. Do not use plumbers' putty.
- 3 Insert the threaded end of the assembly up from the under the sink so that the top of the drain tube is through the drain opening. Make sure the bottom of the drain tube is in the p-trap.
- 4 Completely thread the drain flange onto the top of the drain tube. Hand tighten the locknut from under the sink.
- 5 Position the drain tube so the side hole in the pop-up faces you. Place the drain plug into the drain tube so its bottom hole is in line with the side hole of the drain tube. Place the short end of the ball rod into the side hole of the drain tube and through the hole in the drain plug and tighten the ball rod nut so the ball rod moves freely. NOTE: Do not over tighten.
- 6 Rotate the pop-up so the ball rod faces the back wall and tighten the lock nut giving it an extra 1/4 turn. Hand tighten the nut at the connection with P-trap. Test the rod and pop-up plug by pushing the ball rod up and down to see if it raises and lowers the pop-up. If not reinstall the ball rod.



- 7 Slip your faucet's pop-up lift rod through the holes at the top of the lift rod strap and hand tighten the thumb screw. Push the ball rod down so the drain plug is in the up position. Slip the one leg of the ball rod clip onto the ball rod and then slide the lift rod strap onto the ball rod using the nearest hole. Then slide the second leg of the clip onto the rod. Test the pop-up for smooth operation and adjust the strap if necessary.



The measurements shown are for reference only. Products and specifications shown are subject to change without notice.

www.santecfaucet.com | P: 310.542.0063 F: 310.542.5681