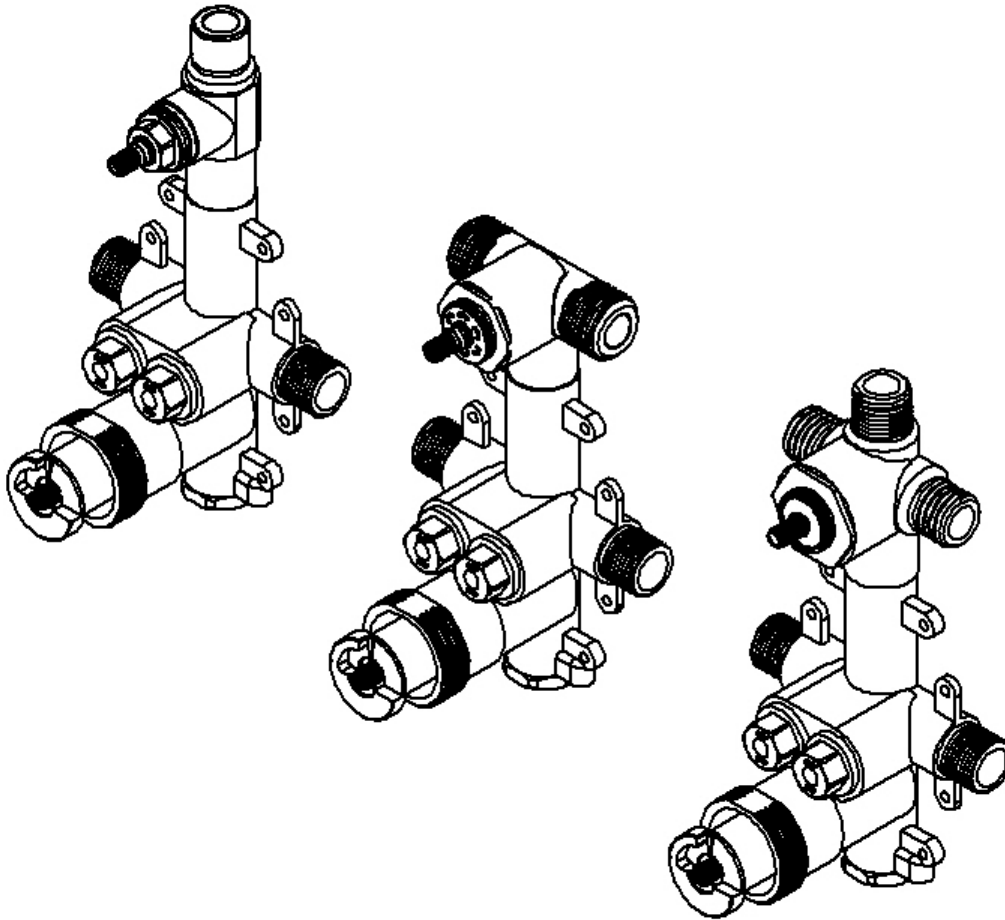


SANTEC

FLUID IMAGINATION



Rough 1/2 " Thermostatic Installation Instruction

TH-9010-SINGLE OUTLET 1/2" THERMOSTATIC VALVE
TH-9210-2-WAY DIVERTER NON-SHARED FUNCTION
TH-9212-2-WAY DIVERTER SHARED FUNCTION
TH-9310-3-WAY DIVERTER NON-SHARED FUNCTION
TH-9313-3-WAY DIVERTER SHARED FUNCTION

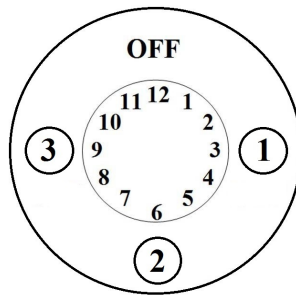
KEEPTHISINSTRUCTIONBOOKLETFORFUTUREREERENCE

SANTEC has the right to make necessary design changes when applicable.
*Illustration may not depict actual products.

TH-9310

ROUGH (Non-Shared function) 1/2" Thermostatic valve with volume control and 3-way diverter

- 6 GPM
- Male 1/2" NPT inlets/outlets
- Service stops
- Anti-scaled valve
- Non-shared function (CALGreen compliant)

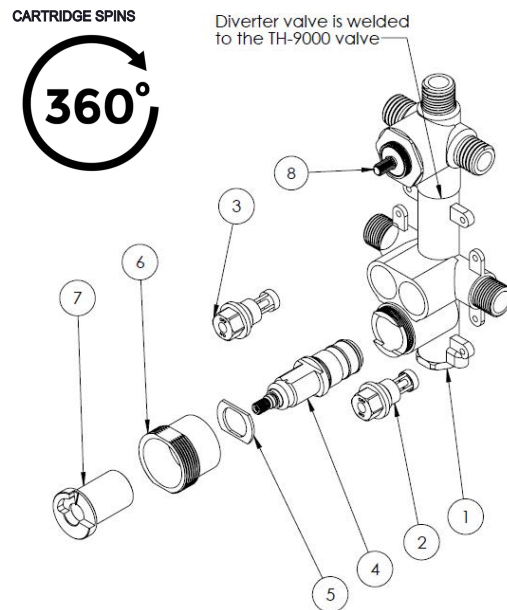


- "1" opens LEFT outlet - "2"
opens TOP outlet - "3" opens
RIGHT outlet

TH-9310



ITEM NO.	PART NUMBER	DESCRIPTION	QTY.
1	TH-9000	1/2" THERMOSTATIC VALVE	1
2	TH-7000X-C	CHECK VALVE COLD	1
3	TH-7000X-H	CHECK VALVE HOT	1
4	TH040	THERMOSTATIC CARTRIDGE	1
5	TH041	CARTRIDGE LOCK FOR TH	1
6	TH042	CARTRIDGE RETAINER SLEEVE	1
7	TH-7000-3	Plastic Temperature Restrictor	1
8	ST3WAY25	3-WAYDIV VALVE NON-SHARED	1



(2)

TOP

