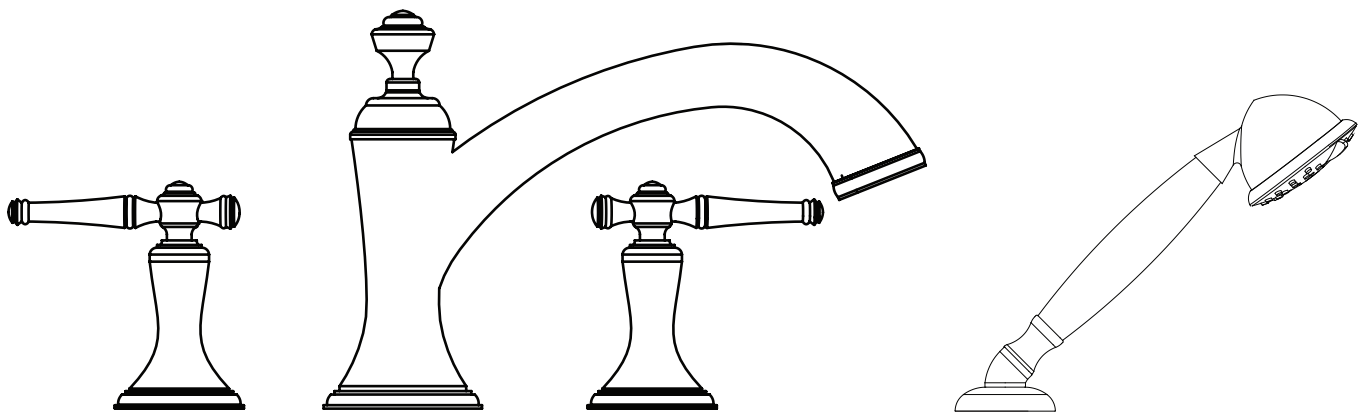


SANTEC  
FLUID IMAGINATION

KLASSICA COLLECTION  
ROMAN TUB FILLER with HAND HELD SHOWER

MODEL: 9555KL-TM



# Spout Rough

---

NOTE: Hole size for the spout, handle trim, and hand held shower is a minimum of 1-1/4" and a maximum of 1-1/2".

## Rough Installation For Spout

NOTE: Only remove protective cap while installing rough and when installing the trim. This will keep debris out of moving parts.

Remove protective cap from the head of the shank. DO NOT THROW AWAY.

Turn off HOT and COLD supply lines before beginning installation.

Unscrew the Lock Nut off of the shank and move down the Spout Mounting Hardware a few inches (Figure A).

Apply a ring of silicone caulking around deck hole (Figure A). DO NOT USE PLUMBER'S PUTTY, WHICH CAN DAMAGE FINISH.

Slip the remaining Shank Assembly up and through the deck hole from underneath. While holding the assembly up and off of the silicone, thread the lock nut back onto the shank until it bottoms out (Figure A).

NOTE: Find the "front here" mark, which is marked on the base of the Lock Nut, and make sure that it is facing forward (See magnified graphic in Figure B).

**IMPORTANT:** Set the shank down onto the ring of silicone with the "front here" mark facing forward. Use a long straight- edge to align the front of the lock nut parallel with the deck edge. From underneath, tighten the spout mounting hardware until secure (see Figure B).

Wipe away excess silicone with paper towel.

Fit the protective cap back onto the head of the shank until trim arrives.

Figure A

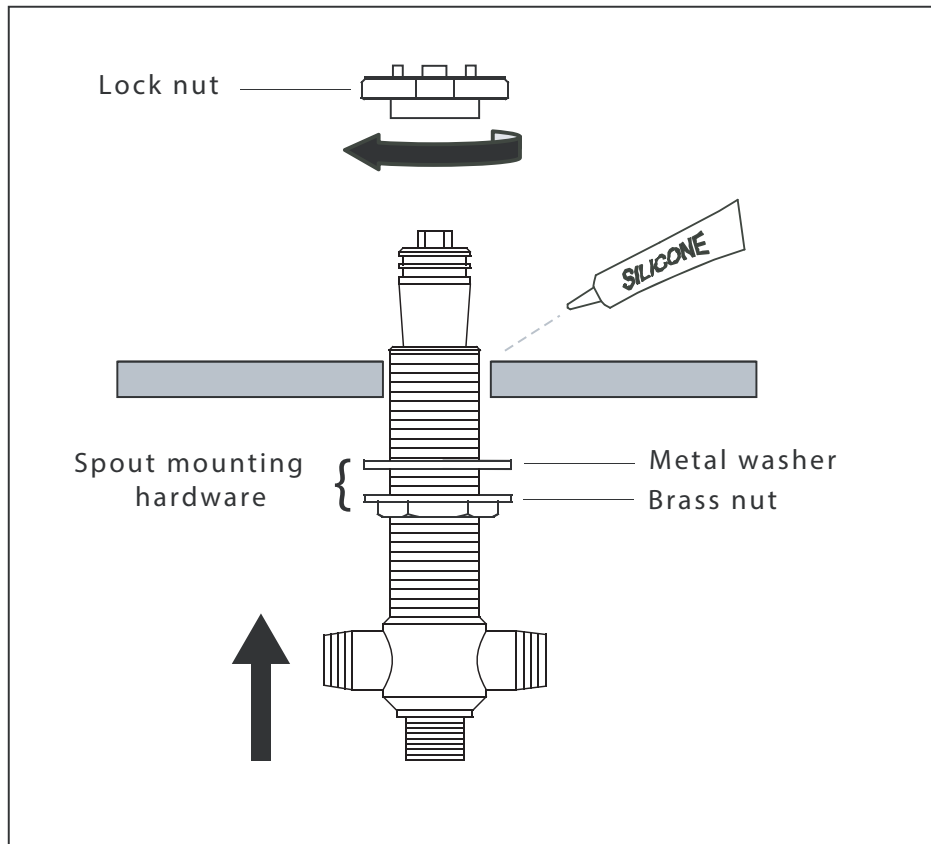
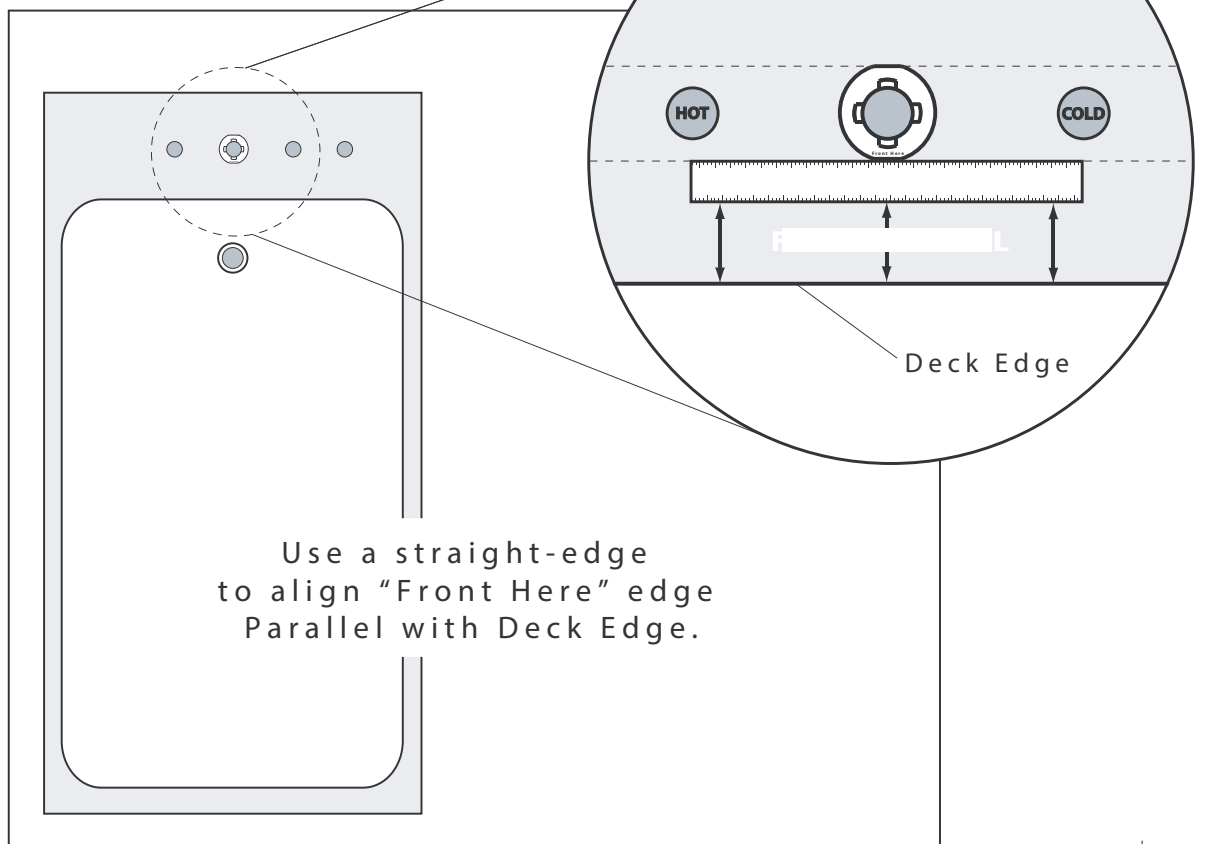


Figure B



# Handle Rough

---

## Rough Installation For Handle

Remove protective cap from the head of the valve.

NOTE: Hot valve "Red" mounted to left side.  
Cold valve "Blue" to be mounted to right side.

Remove the Top Lock Nut and Top Lock Nut Washer from the valve body.

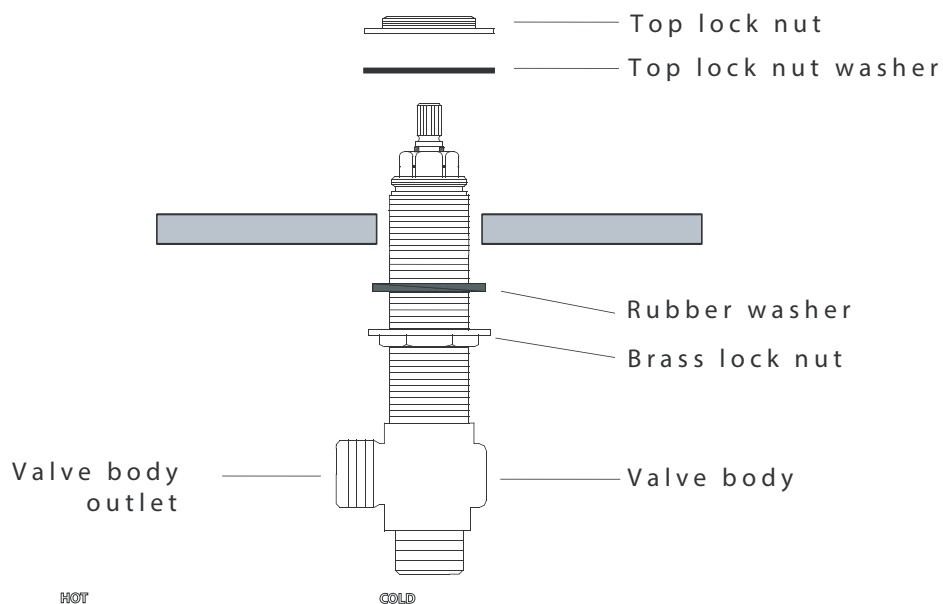
Apply a ring of silicone caulking around deck hole. DO NOT USE PLUMBER'S PUTTY, WHICH CAN DAMAGE FINISH.

NOTE: While tightening the valve body into place make sure to keep the position of the valve body outlet pointed toward the spout shank.

Slip the Valve Body up and through the proper deck hole from underneath. Thread the Top Lock Nut and Top Lock Nut Washer back onto the Valve Body and tighten down securely.

From underneath, tighten the Brass Lock Nut securely.

Fit the protective cap back onto the head of the valve until trim arrives.



# Spout Trim

## Spout Trim Installation

Remove the protective Rubber Cap from the head of the shank. Then unscrew the metal cap from the shank. (See Figure A).

Push the Insert Tube into the head of the spout shank. Then put the Insert Rod through the Insert Tube and screw the rod clockwise to attach it to the spout shank. (See Figure A)

Screw the Spout Flange onto the spout. Then slip the spout with the Flange Washer over the Spout Shank top and push down until the base is locked securely onto the deck (See Figure B on next page).

**IMPORTANT:** Use a straight-edge to align the edge of the spout base exactly parallel with the deck edge. If the spout base is not straight with the deck edge then loosen the spout mounting hardware from underneath, align, and re-secure.

Tighten the set screw with the Allen Key provided. Insert Cover Plug to conceal the set screw (See Figure C on next page).

Figure A

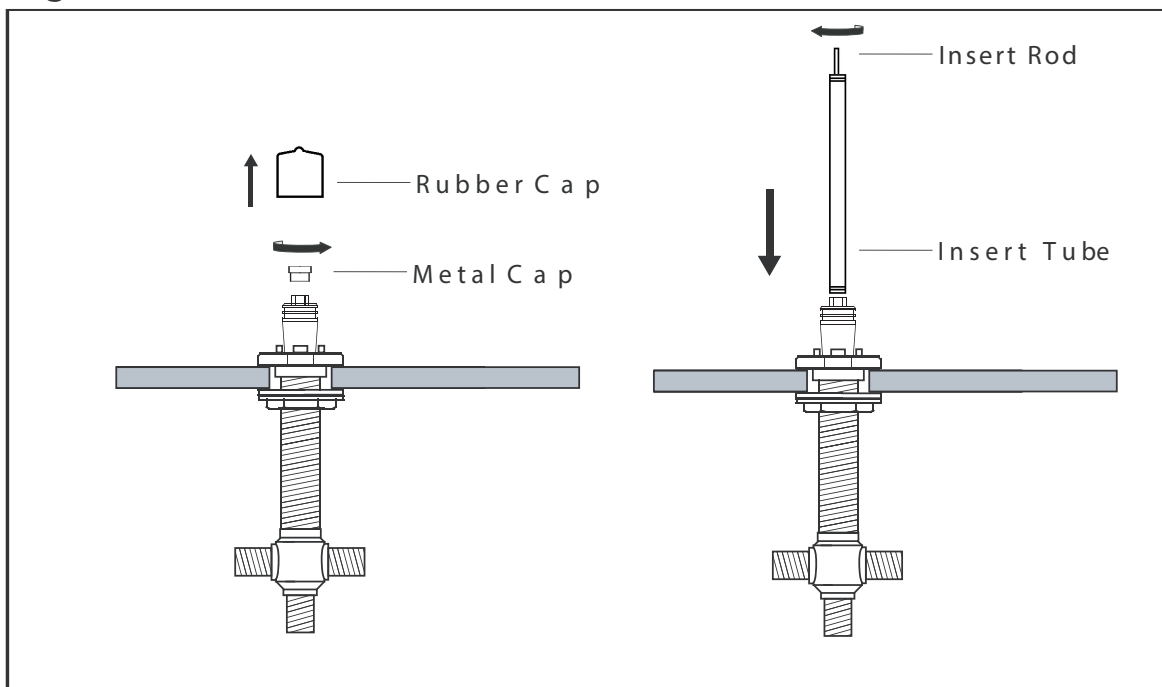


Figure B

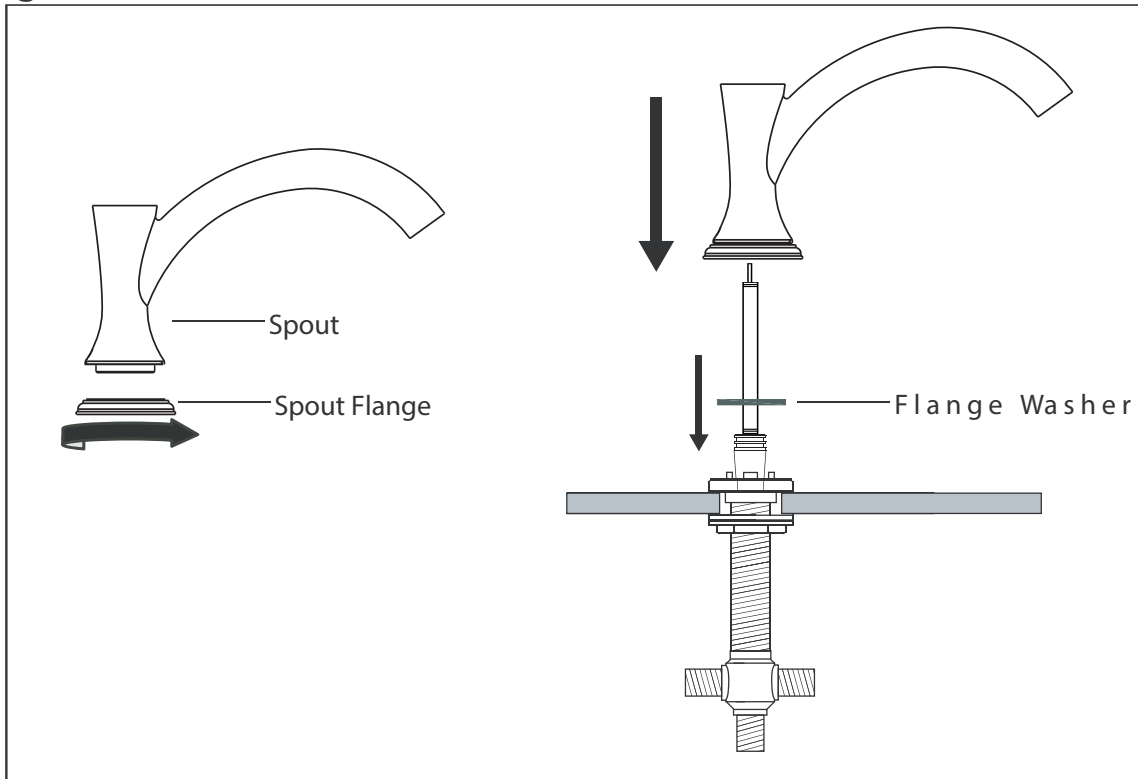
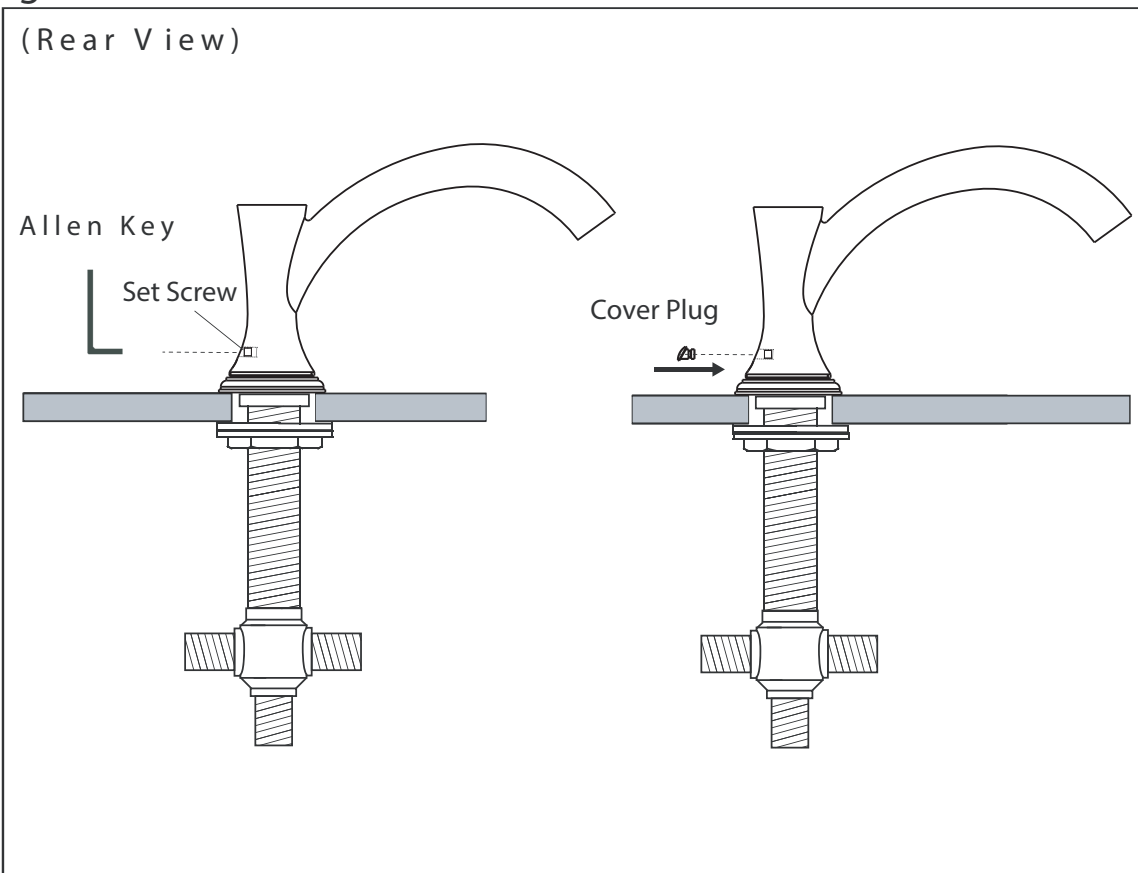


Figure C



# Lift Rod

---

## Lift Rod Installation

Screw the Lift Rod Housing clockwise into the spout, make sure the Insert Rod goes through the housing. (Figure A)

Insert the Lift Rod into the housing and turn it clockwise so the Insert Rod can screw into it. Pull the Lift Rod upward to test for attachment. (Figure B)

Figure A

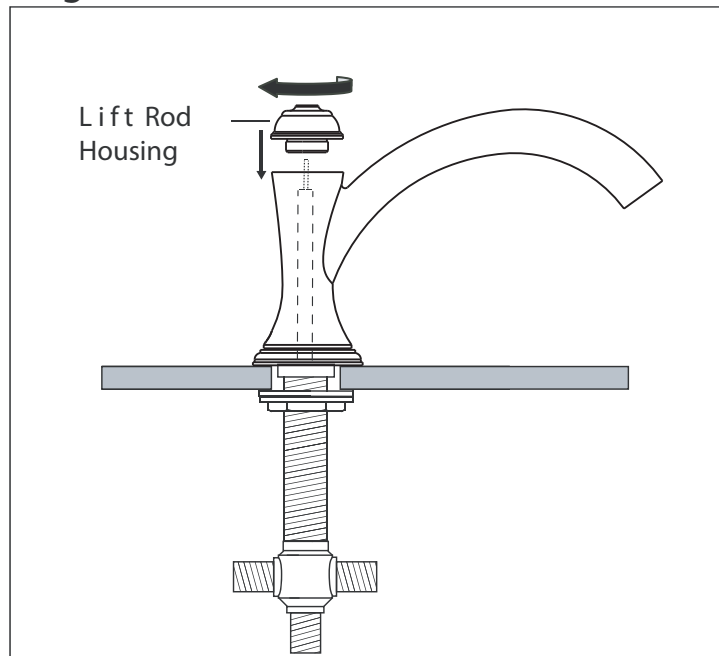
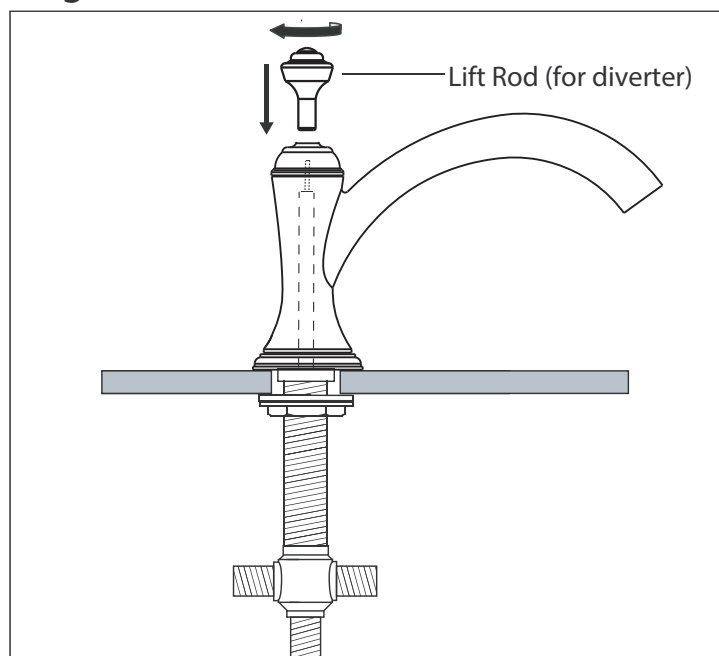


Figure B



# Handle Trim

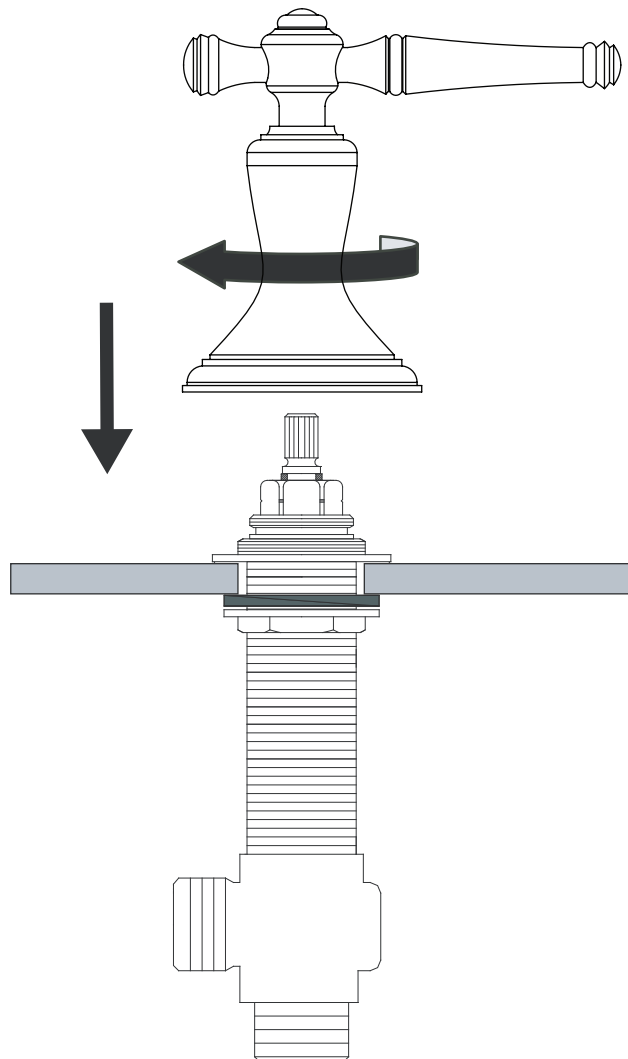
---

## Handle Trim Installation

NOTE: In the off positions the "Hot" handle lever (left) should be in the "9 o'clock" position, and the "Cold" handle lever (right) should be in the "3 o'clock" position. In the on positions the levers should both turn towards you, not away from you.

Fit the handle down onto the installed valve body making sure that the handle levers are in a parallel line with the spout.

Turn the trim body clockwise onto the valve body until tightened down securely.



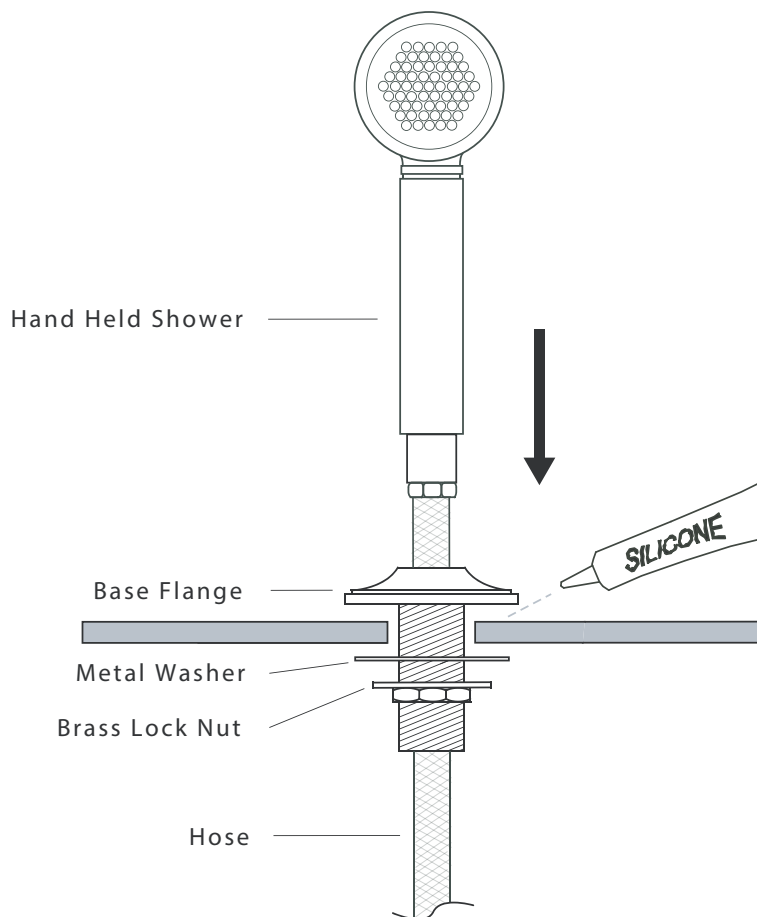
# Hand Held Shower Trim

---

Apply a ring of silicone caulking around the hole designated for the hand held shower. Do not use plumber's putty, which can damage finish.

Remove the hardware from Base Flange. Slip the Base Flange through the appropriate hole in deck. From underneath attach the Metal Washer and Brass Lock Nut. Tighten firmly to avoid leakage.

From underneath the deck attach the larger side of the 57" hose to the Spout Diverter Valve. Slip the smaller end of the hose up through the base flange and connect to the hand held shower. Tighten both ends firmly to avoid leakage.



Other end of Hose to connect  
to Spout Diverter Valve

# Complete Diagram

---

NOTE: The manufacturer recommends the use of hard pipe for all connections except for the hand held shower hose.

It is also recommended that an access panel be provided for all Roman Tub installations.

Illustrations may not depict actual products

Lift up to divert water to handshower.

