

SANTEC

FLUID IMAGINATION

MODEL NUMBER

4320GL_ _

PLEASE READ THE INSTRUCTIONS COMPLETELY
BEFORE BEGINNING THE INSTALLATION.

CHADWICK COLLECTION WIDESPREAD FAUCET WITH "GL" HANDLES



INSTALLATION INSTRUCTIONS

4320GL

FLUSH BOTH SUPPLY LINES BEFORE INSTALLATION

AFTER FLUSHING , SHUT OFF BOTH SUPPLY LINES.

MINIMUM HOLE SIZE FOR THE SPOUT AND HANDLE TRIM IS 1 ¼" AND MAXIMUM OF 1 ½"

1. SPOUT INSTALLATION

A- Remove the tee connector (11), spout mounting hardware (4) and tee connector washer (12) from the bottom of the spout assembly. Apply a ring of silicone caulking around the center hole on the top of the sink. (Do not use plumbers' putty which can damage the spout finish).

- From the top of the deck, insert the spout's threaded shank with the lift rod (21) and knob (14) through the center hole of the sink.

B- Slip the spout mounting hardware (4) back onto the spout. First the notched rubber washer, then the notched metal washer, wing nut and the last the brass lock nut.

- Make sure the lift rod operates smoothly. Adjust it if necessary.
- Hand tighten the lock nut.

C- Align the spout and secure the spout to the counter by tightening the 2 screws on the wing nut.

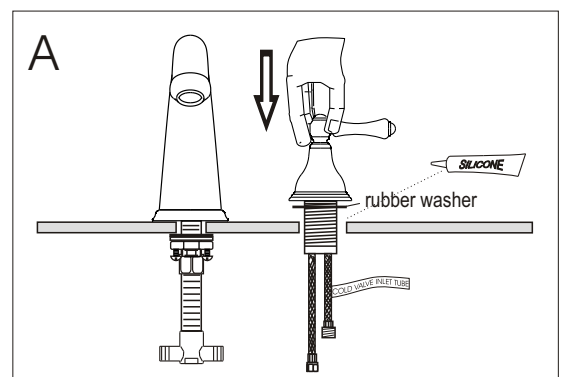
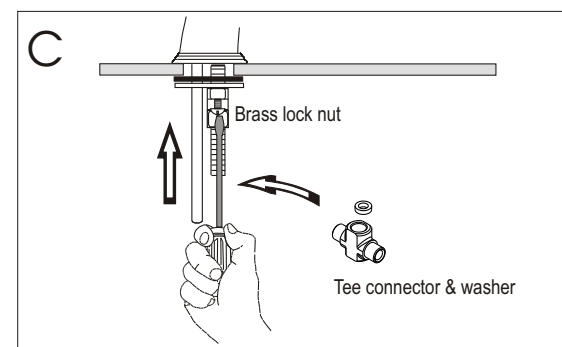
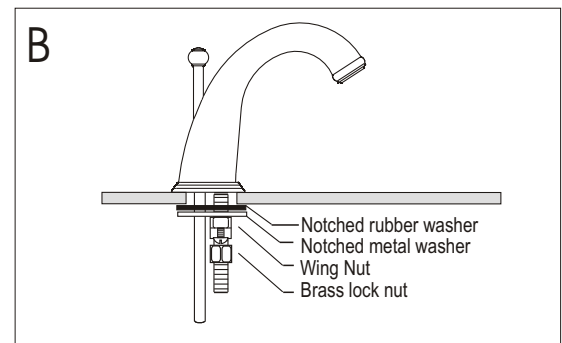
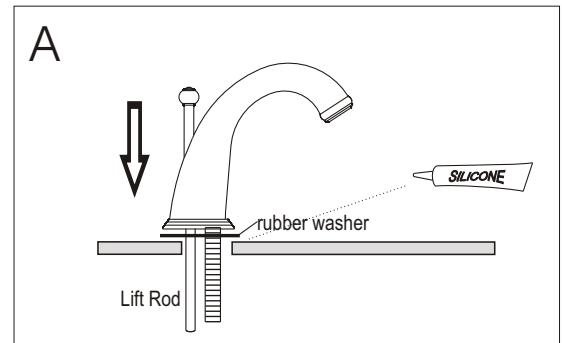
- Place the tee connector washer (12) into the tee connector (11) and thread on the tee connector at the end of the spout shank. Tighten to seal.

2. HANDLE TRIM INSTALLATION

HANDLE TRIMS ARE READY FOR SIMPLE DROP IN INSTALLATION.
DO NOT DISASSEMBLE.

A- Remove the valve body mounting hardware (13) from the valve body.

- Make sure the handle with the "cold" blue label (8) is installed at the right side of the spout (looking from the front) and the handle with the "hot" red label (7) at the left side of the spout.
- Apply a ring of silicone caulking around the handle hole on the sink top. (Do not use plumbers' putty which can damage the finish of the faucet).
- Slip the valve body's flexible hoses from the top of the sink or counter through the appropriate hole next to the spout. Aim the tee connecting hoses (9) toward the tee connector (11).

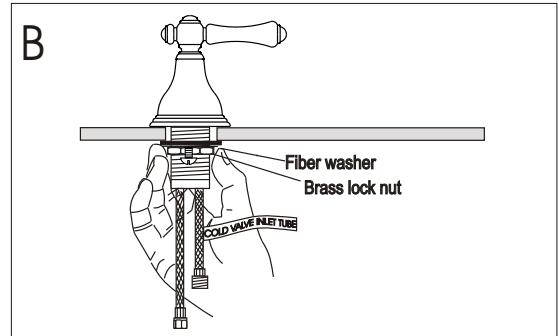


INSTALLATION INSTRUCTIONS

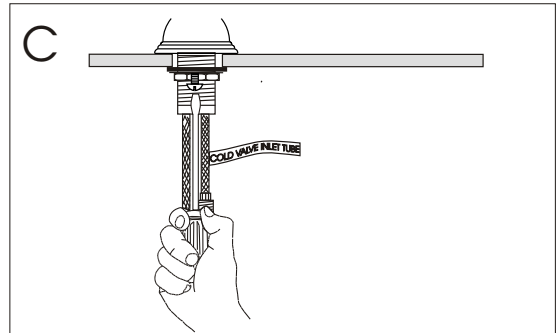
4320GL

B- Align the handle lever properly with respect to the spout.

- From under the basin or counter, hand tighten the brass lock nut and fiber washer to the valve body against the counter.

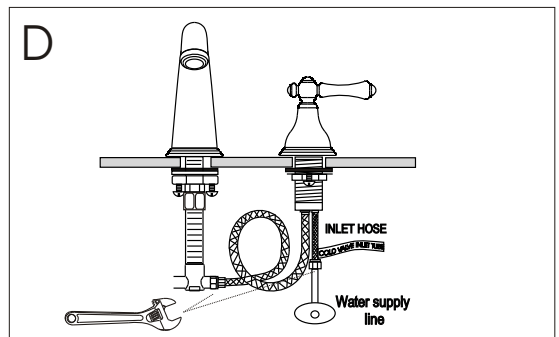


C- Secure the valve body by tightening the screws attached to the lock nuts.



D- Loop and connect the flexible hoses (8) to the tee (11).

- Tighten the nuts provided at the end of the hose to avoid leakage.
- Connect and tighten the Inlet hoses (9) to the supply lines. Use 1/2" IPS faucet connections, or 3/8" copper pipe using compression fitting system.



3. POP-UP DRAIN INSTALLATION

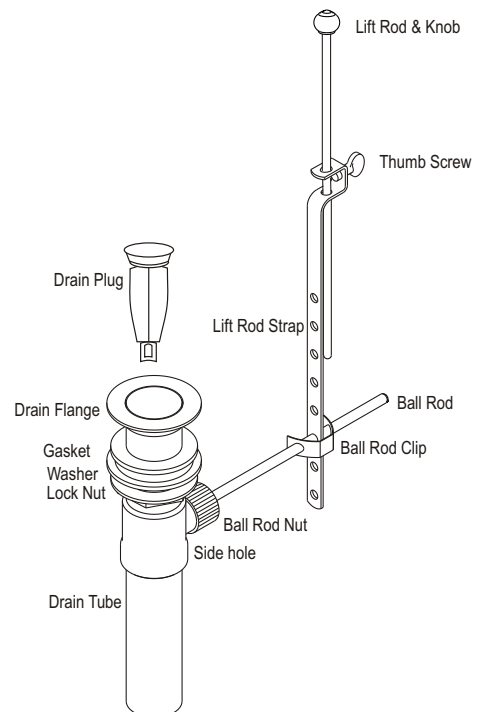
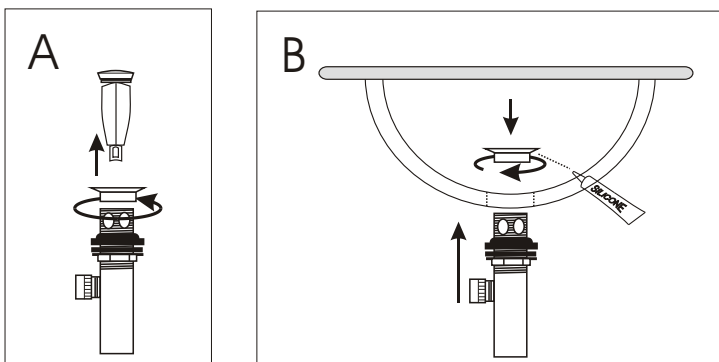
A- Remove the drain flange and drain plug from pop-up assembly.

- Do not remove the gasket, washer and lock nut.

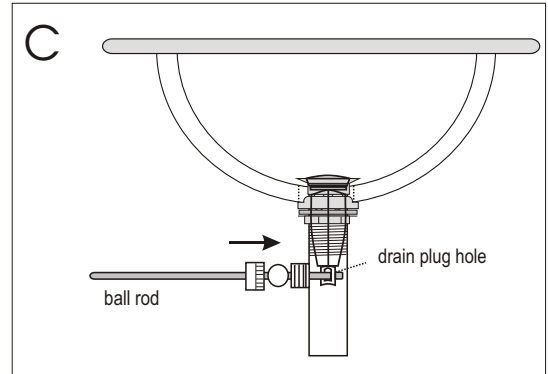
B- Apply a ring of silicone caulking underneath the drain flange.

- Do not use plumbers' putty.

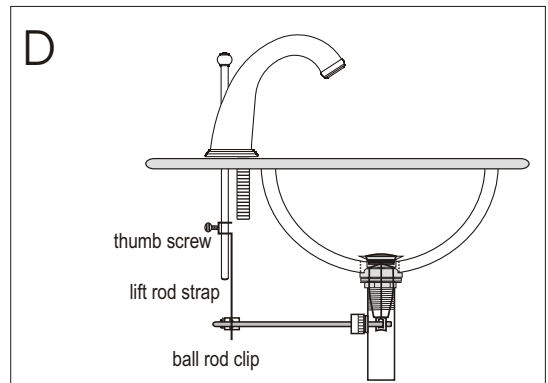
- Insert the threaded end of the assembly up from the under the sink. Completely thread the drain flange onto the top of the drain tube.
- Tighten the locknut from under the sink.



- C-** Position the drain tube so the side hole in the pop-up faces you. Place the drain plug into the drain tube, align its bottom hole with the side hole.
- Place the short end of the ball rod into the side hole of the drain tube and through the hole in the drain plug and tighten the ball rod nut so the ball rod moves freely. **NOTE:** Do not over tighten.



- D-** Rotate the pop-up so the ball rod faces the back wall and tighten the lock nut giving it an extra 1/4 turn. Hand tighten the nut at the connection with P-trap. Test the rod to make sure it raises and lowers freely.
- Slip your faucet's pop-up lift rod through the holes at the top of the lift rod strap and hand tighten the thumb screw. Push the ball rod down so the drain plug is in the up position.
 - Slip the one leg of the ball rod clip onto the ball rod and then slide the lift rod strap onto the ball rod using the nearest hole. Then slide the second leg of the clip onto the rod. Test the pop-up for smooth operation and adjust the strap if necessary.



4. FLUSH THE LINE

- A-** After all the connections have been made, remove the aerator housing (18) basket (17) and washer (16).
- Turn on the water on both hot and cold sides and flush the lines for 45 seconds.
 - Turn off the water and reinsert the washer (16), basket (17) and Housing (18).
 - Turn on the water and check for leakages at all joints. If water leaks from any of the connections tighten the connection until the leakage stops.

