

Spout

Rough Installation For Spout

Hole size for the Spout and handle trim is minimum of 1-1/4" and maximum of 1-1/2".

Turn off HOT and COLD supply lines before beginning installation.

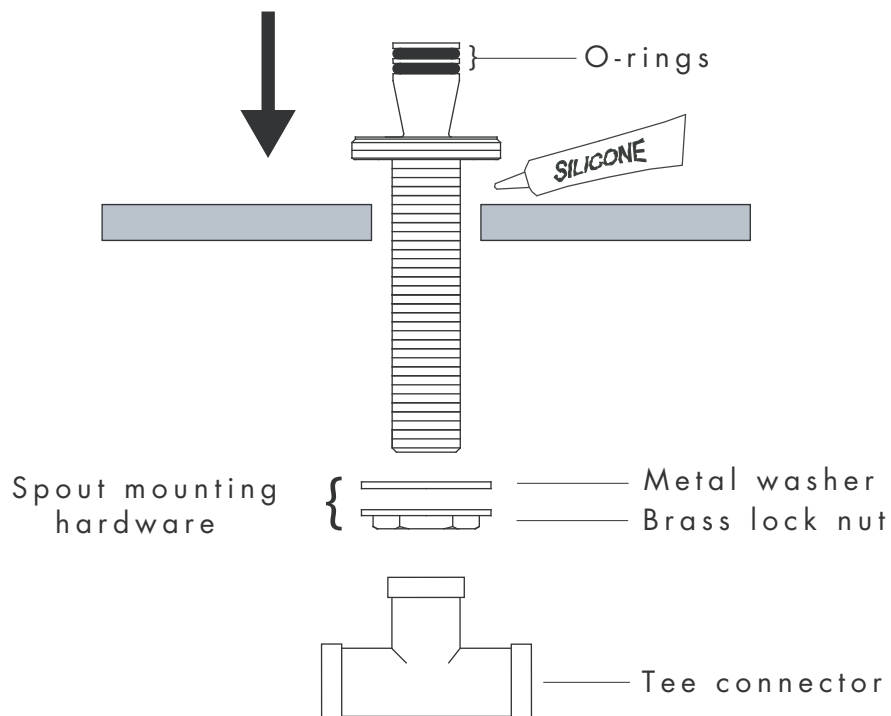
Remove tee connector and spout mounting hardware from spout shank.

Apply a ring of silicone caulking around hole designated for spout. Do not use plumber's putty, which can damage finish.

Find the "front here" mark, which is marked on the base, and make sure that it is facing forward. Slip spout shank through deck top and reattach the spout mounting hardware until secure.

Wipe away excess silicone with paper towel.

Wrap the bottom threads with plumber's tape and thread the tee connector back onto spout shank.



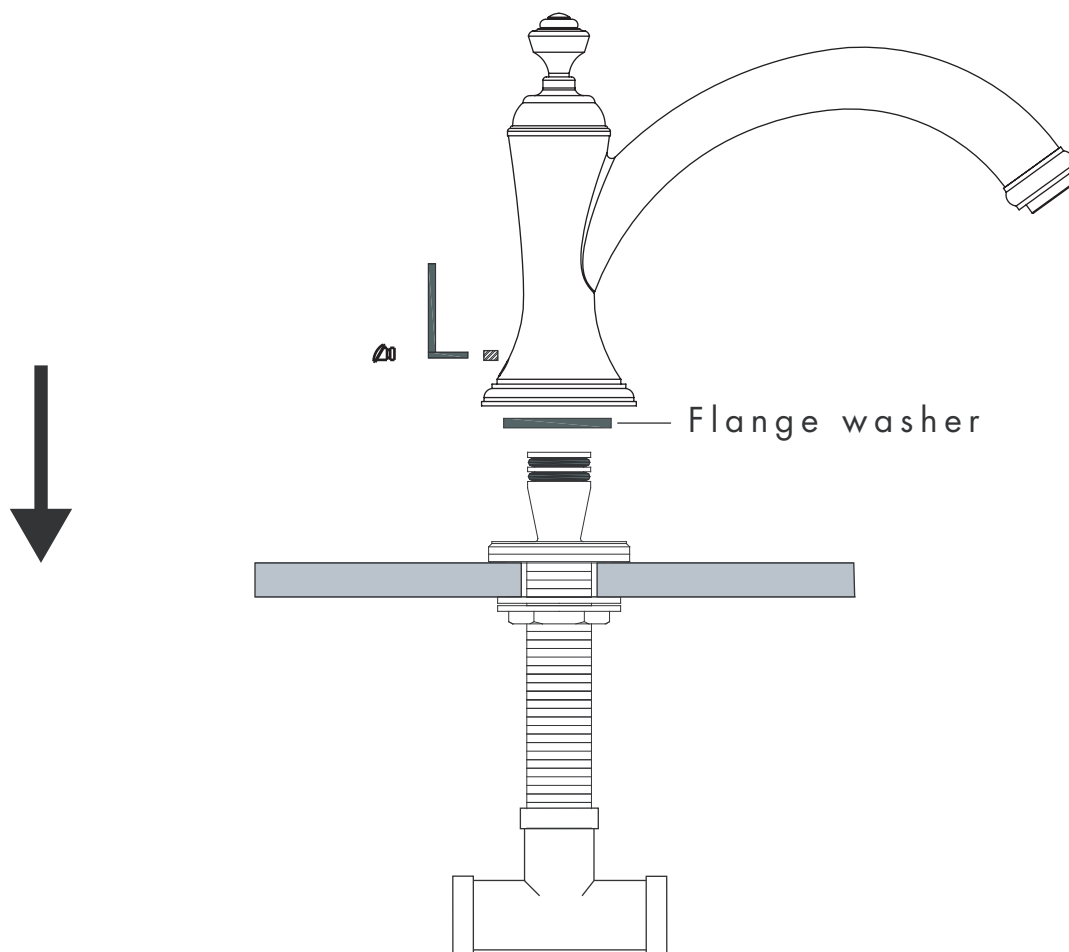
Spout

Spout Trim Installation

From the top of the deck, slip the spout with the flange washer onto the quick connect shank top.

Align the spout and tighten the set screw with the Allen key provided.

Note: If trim comes later than the roughs, please keep the shank protector on the spout shank at all times to avoid damages to the unit.



Handle

Rough Installation For Handle

NOTE: Hot valve "Red" mounted to left side. Cold valve "Blue" to be mounted on right side.

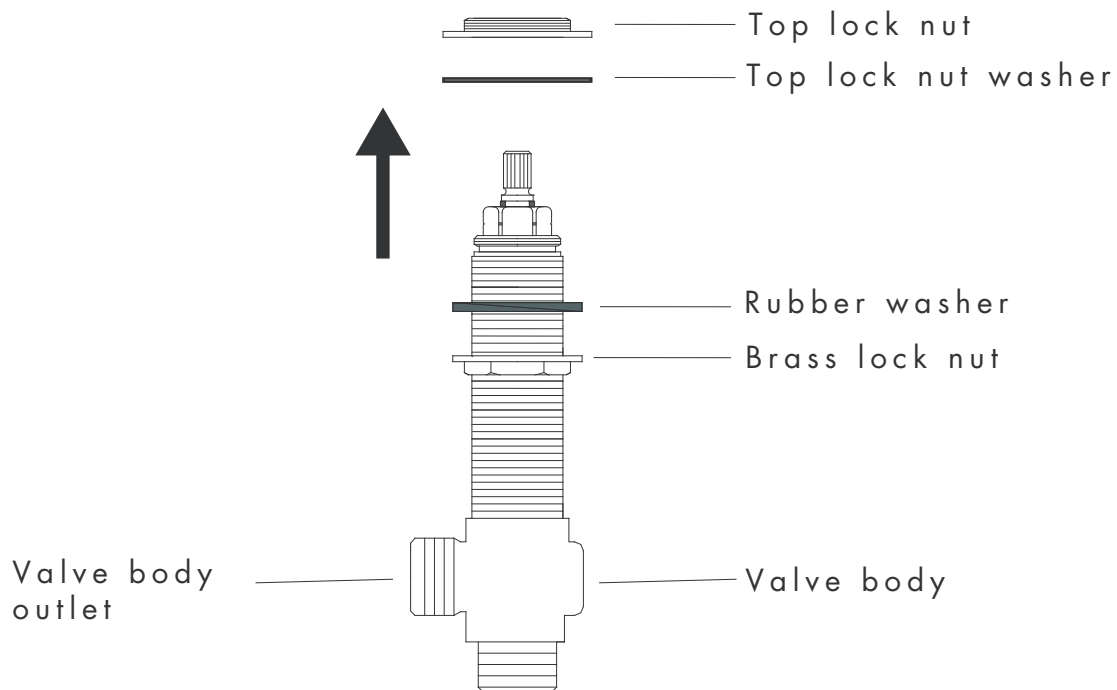
Remove the top lock nut and top lock nut washer from the valve body.

Apply a ring of silicone around the handle hole on top of the deck. Do not use plumber's putty, which can damage finish.

While tightening the valve body into place make sure to keep the position of the valve body outlet pointed toward the tee connector.

Slip the valve body into the proper handle hole from underneath the tub. Thread the top lock nut and top lock nut washer back onto the valve body and tighten down securely.

From underneath, tighten the brass lock nut securely.



Handle

Handle Trim Installation

NOTE: In the off positions the "Hot" handle lever (left) should be in the "9 o'clock" position, and the "Cold" handle lever (right) should be in the "3 o'clock" position. In the "on" positions the levers should both turn towards you, not away from you.

Fit the handle down onto the installed valve body making sure that the handle levers are in a parallel line with the spout.

Turn the trim body clockwise onto the valve body until tightened down securely.

