



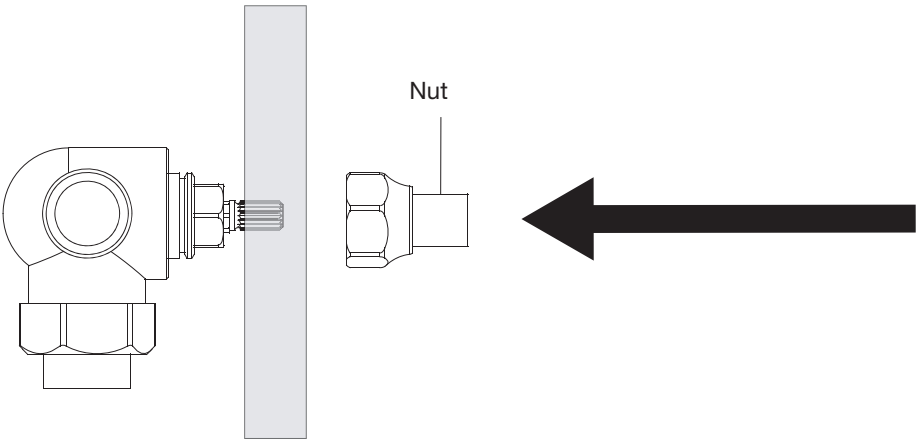
# HANDLE TRIM (1)

---

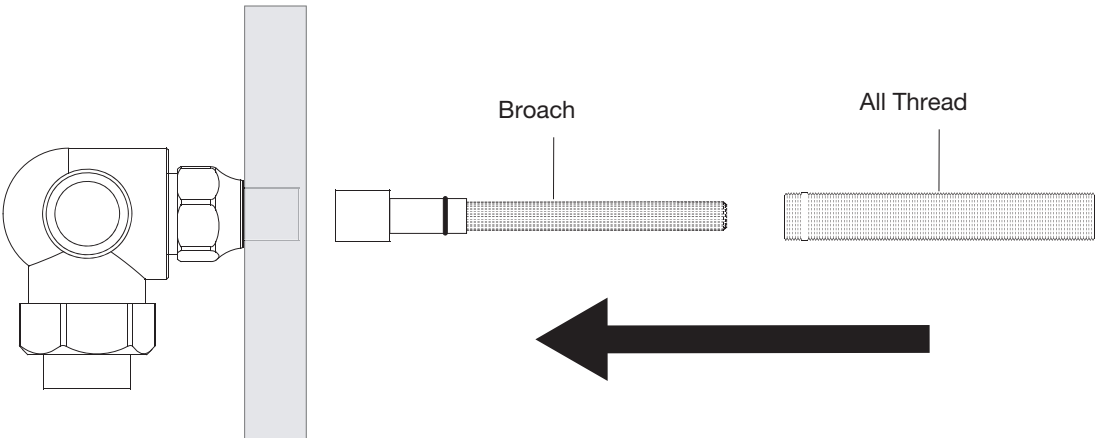
## Handle Trim Installation

NOTE: FOR ROUGH-IN SPECIFICATIONS AND MEASUREMENTS PLEASE SEE SA-CORNER VALVE INSTALLATION INSTRUCTIONS.

Screw the nut onto the valve and lightly tighten using a 1" plumber's socket.



Insert the broach into the valve. Then fit the all thread over the broach and hand tighten it into the nut until it bottoms out.



## HANDLE TRIM (2)

---

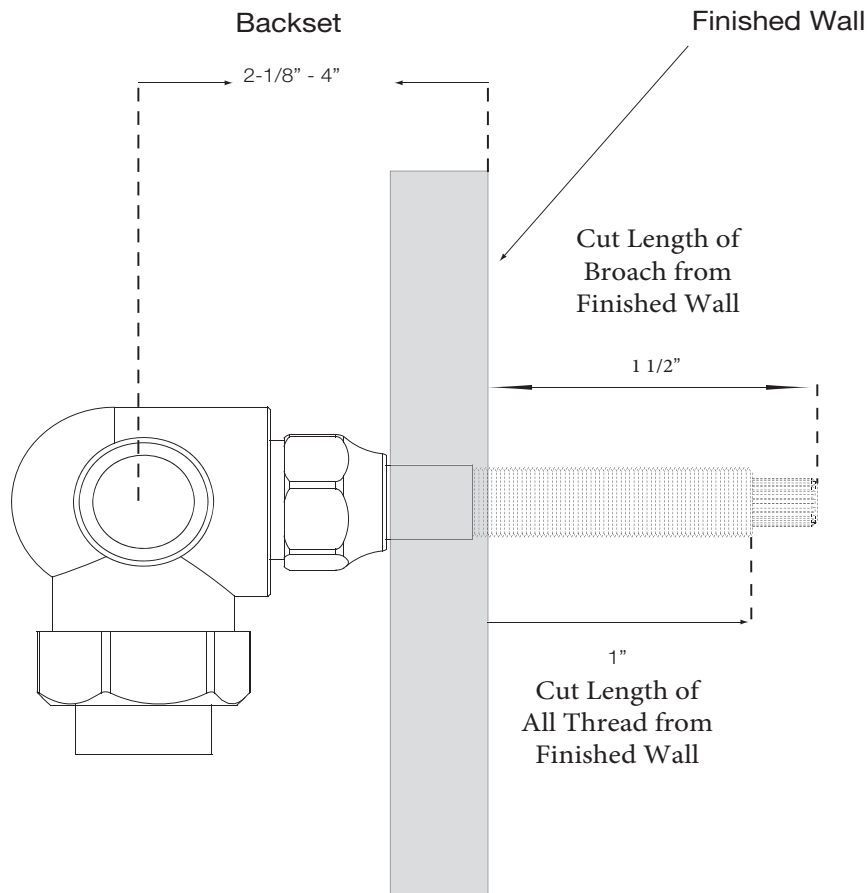
### Handle Trim Installation

Make a mark on the all thread past the finished wall where the all thread should be cut. The cut length should be 1".

Un-thread the nut, all thread, and broach from the valve and then remove the broach from the all thread.

Double check the cut length for correct measurement before cutting. Cut the excess at the mark on the all thread. Re-insert the broach. From the finished wall measure a distance of 1 1/2" on the broach and make a mark. Cut the excess at the mark on the broach. See diagram below.

Re-thread the nut, all thread and broach back onto the valve and lightly tighten assembly with a 1" plumber's socket wrench.



## HANDLE TRIM (3)

---

### Handle Trim Installation

HANDLE TRIM IS READY FOR INSTALLATION. DO NOT DISASSEMBLE.

The lever positions should be:

FULLY ON = 6 o'clock (hot & cold)

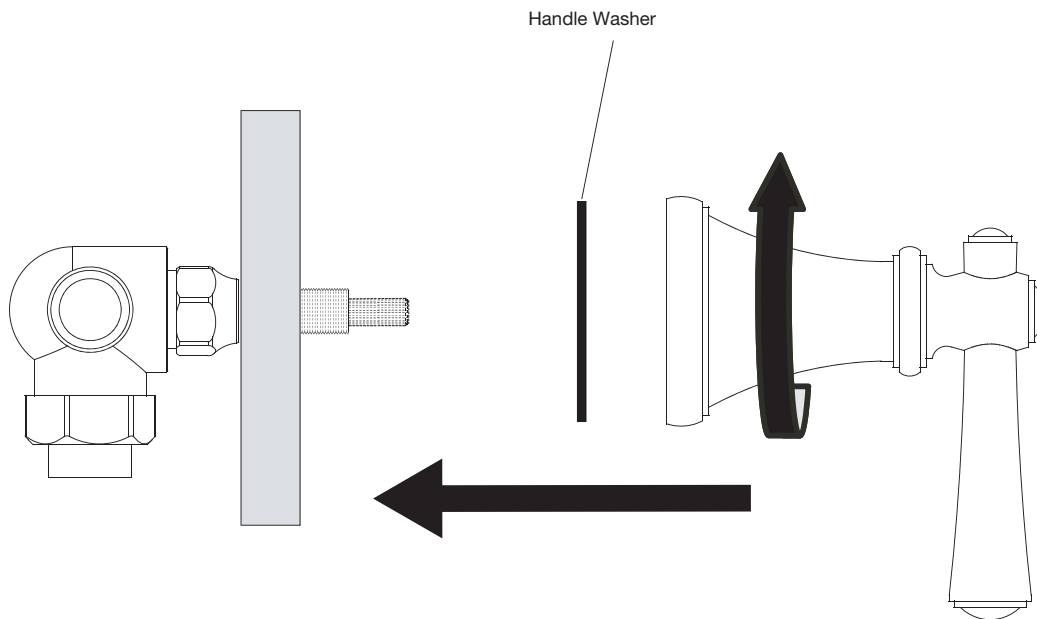
FULLY OFF = 9 o'clock (hot) & 3 o'clock (cold)

Thread the escutcheon of the handle onto the all thread while keeping the lever fixed in its proper positions. (Refer to lever positions above).

Keep tightening the escutcheon until the base of the handle reaches the finish wall. Tighten snugly, but do not over tighten.

NOTE: If the base of the handle does not thread all the way to the finished wall you will have to remove the handle and cut a little more excess off of the all thread and stem key.

NOTE: If the lever positions are inaccurate, unscrew the base of the handle until the lever is free of the stem key. Set the lever to the proper position and retighten the base of the handle.



\*\*Handle used in this diagram is not the actual product.