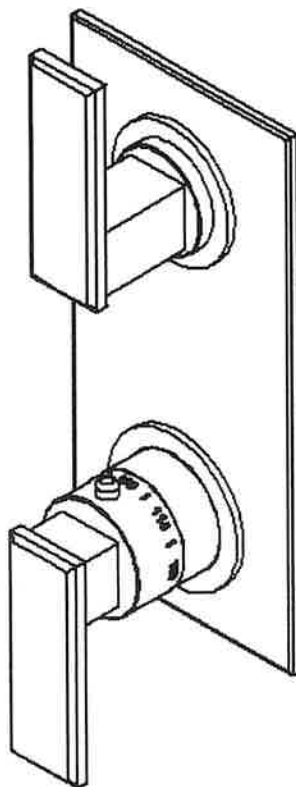


# SANTEC

FLUID IMAGINATION



## Barosa 1/2 " Thermostatic Trim Installation Instruction

For: One-Way	TH-9010
Two-Way	TH-9210/9212
Three-Way	TH-9310/9313

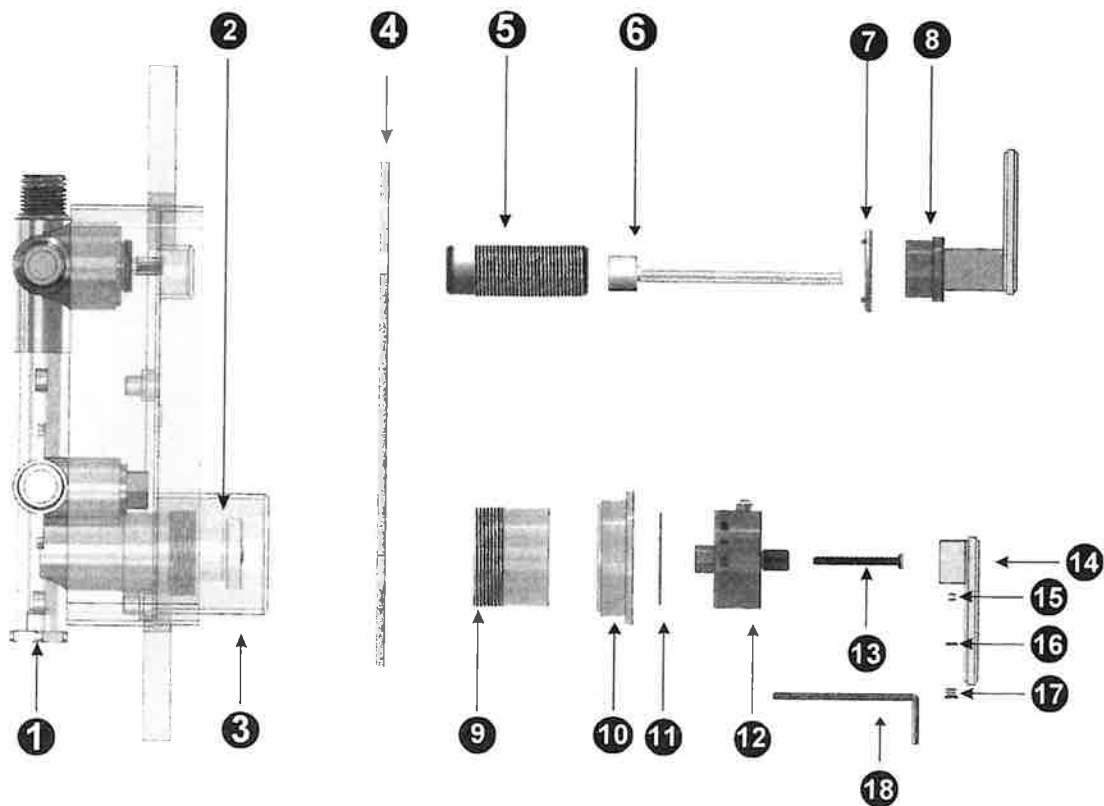
**KEEP THIS INSTRUCTION BOOKLET FOR FUTURE REFERENCE**

Important: Santec reserves the right to request additional documents before servicing warranty requests.

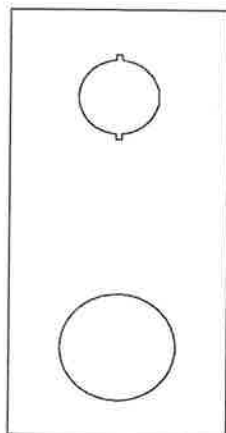
SANTEC has the right to make necessary design changes when applicable.

\*Illustration may not depict actual products

# 1/2" THERMOSTATIC VALVE AND TRIM



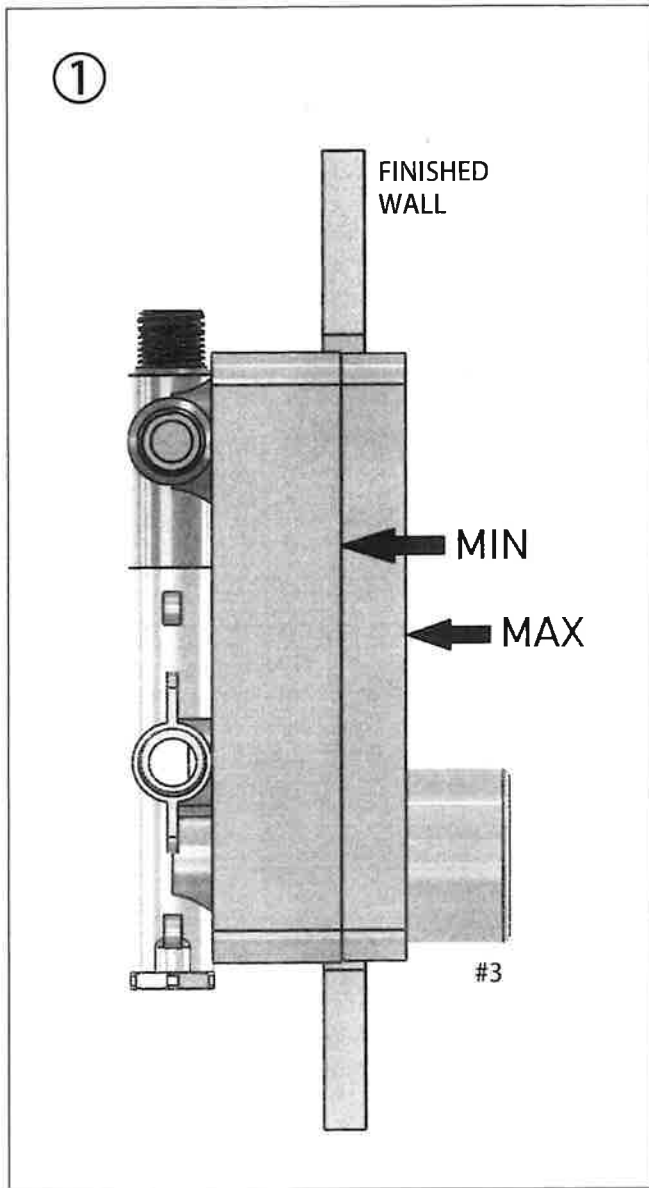
\* Please specify the finish when ordering the part.



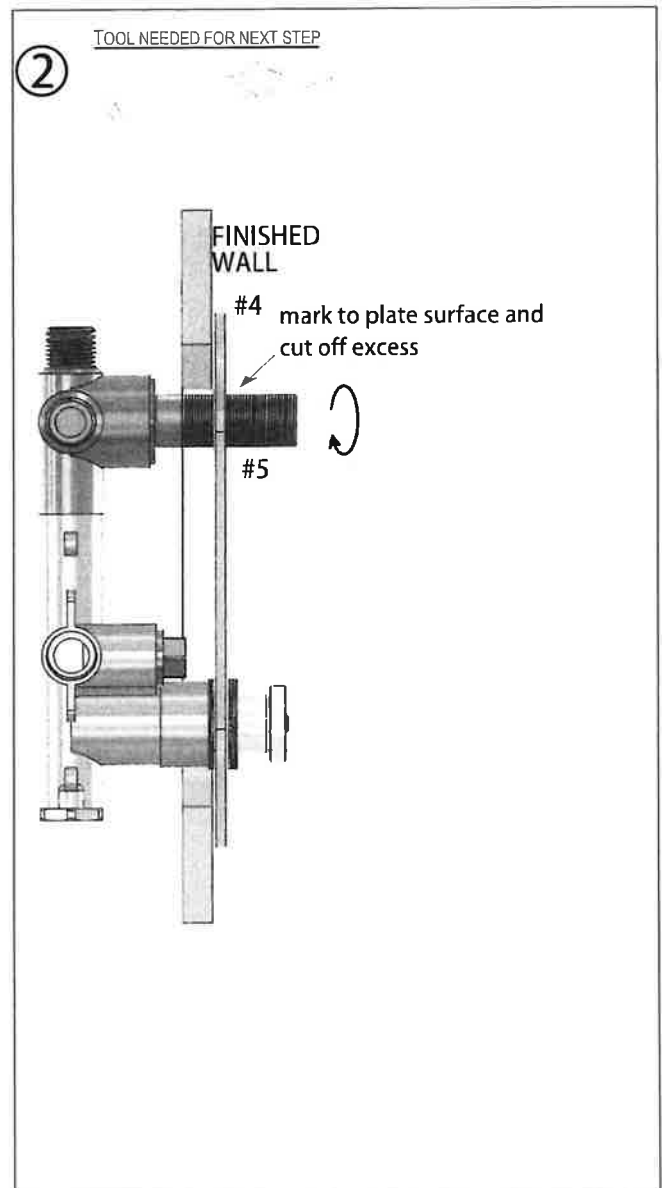
PH9795

	Part Description	Part #
1	Complete Thermostatic Valve	TH-9010/9210/9212/9310/9313
2	Temperature Restrictor	TH-7000-3
3	Mud Guard	TH-9000-1
4	Plate	PH9795
5	All Thread Extension	PM-1179
6	20T Broach Extension	SA235
7	Diverter Dial	PH9700/9700-1/9701/9800
8	Barosa Diverter Handle	DT-MC
9	Thermostatic Threaded Sleeve	P00019
10	Thermostatic Lock Nut	P00018
11	Teflon Washer	PM-831
12	Thermostatic Dial	PH9731
13	Stem Screw with O-Ring	PM-5-4X-351-3
14	Barosa Thermostatic Handle	DB-MC
15	Set Screw	PM-494
16	O-Ring	PM-281
17	Plug	PM-378
18	Allen Key	PM-033

# INSTALLATION INSTRUCTIONS

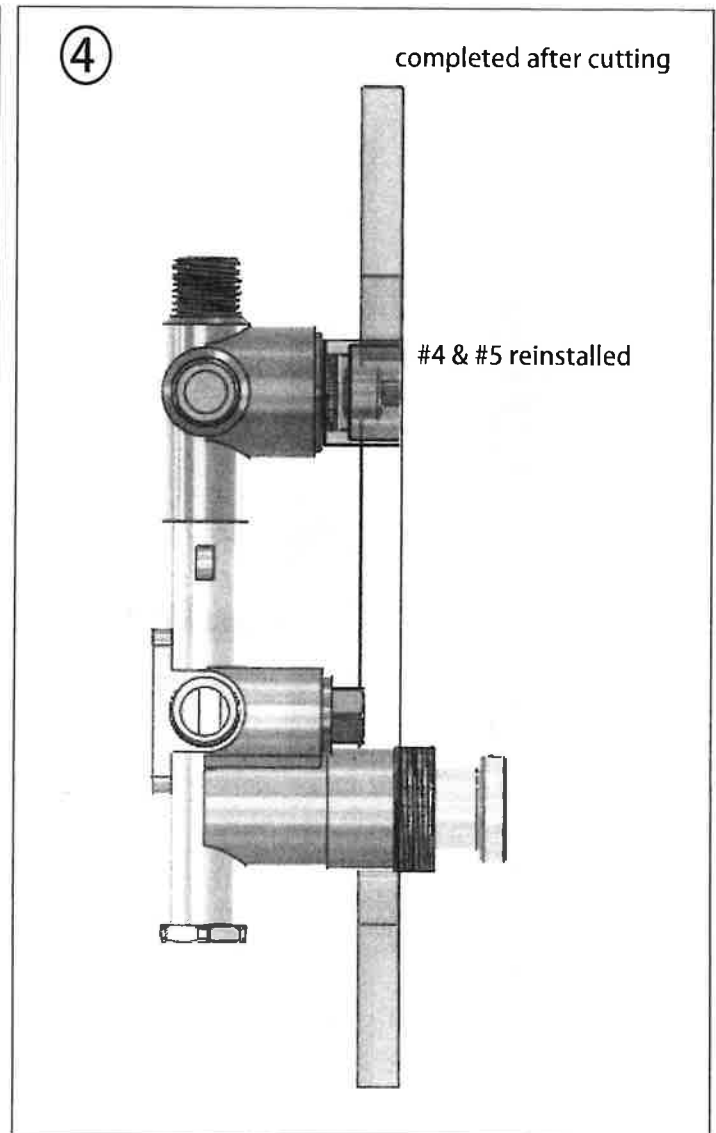
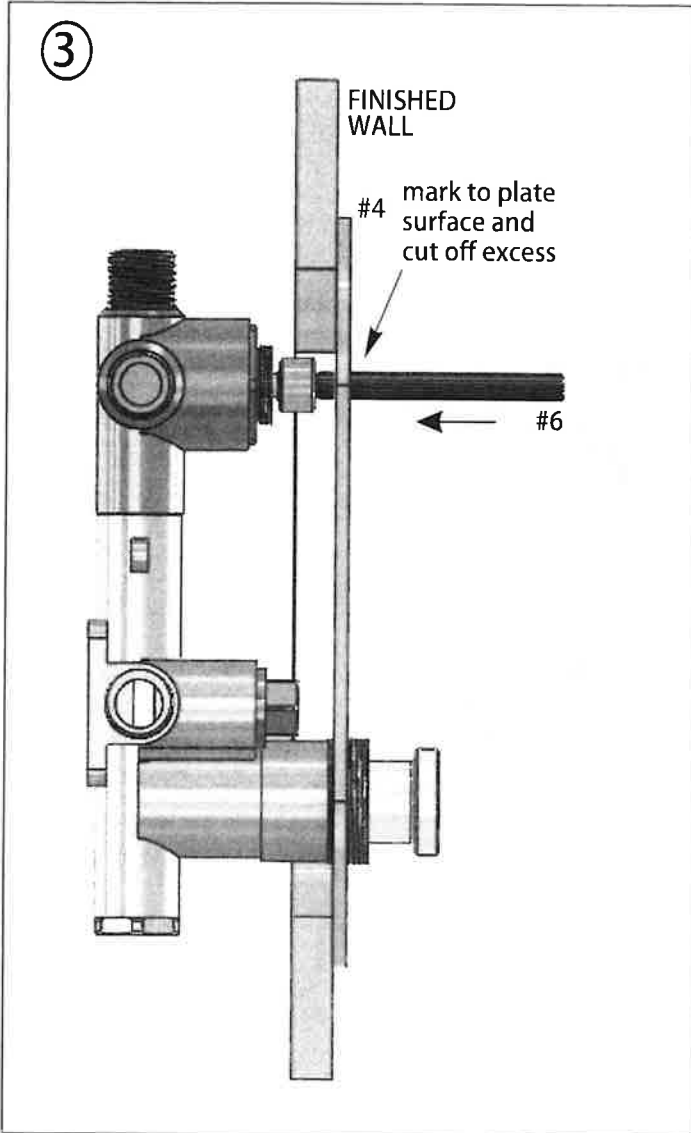


- Rough in the valve, lining the surface of the wall to the #3 mudguard MIN/MAX line.



- Place #4 plate up against wall over valve.
- Screw the all thread extension #5 onto the volume control/diverter valve until it stops.
- Mark #5 to surface of the plate.
- Remove it and cut off excess thread extension.

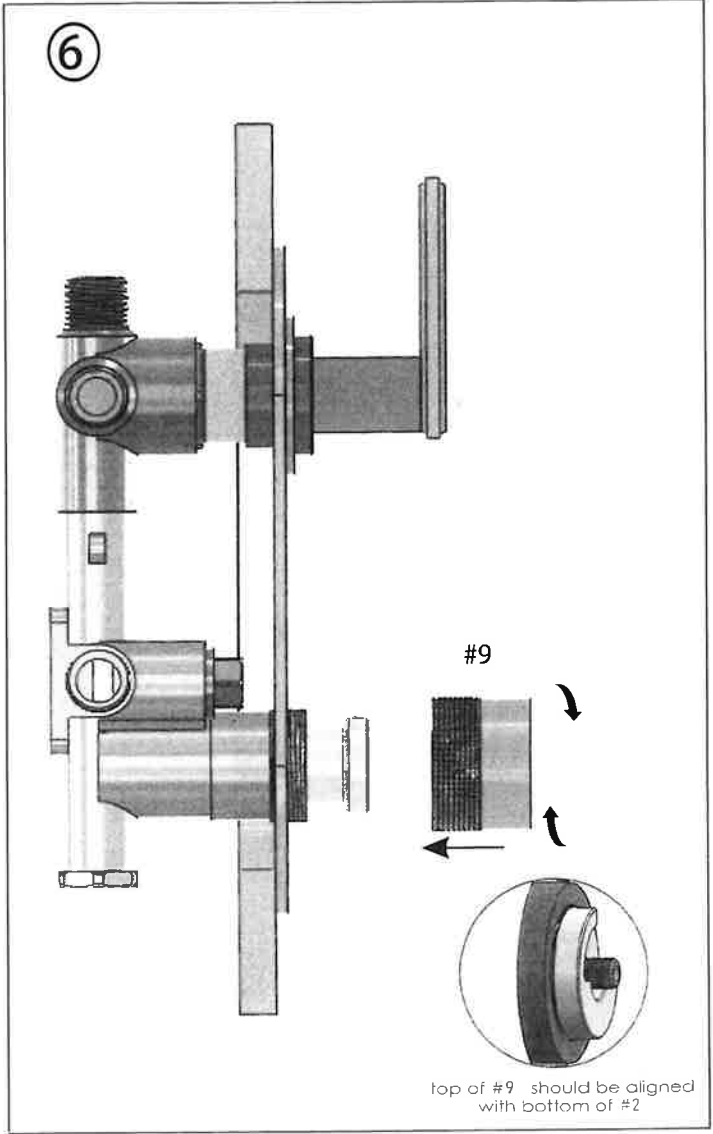
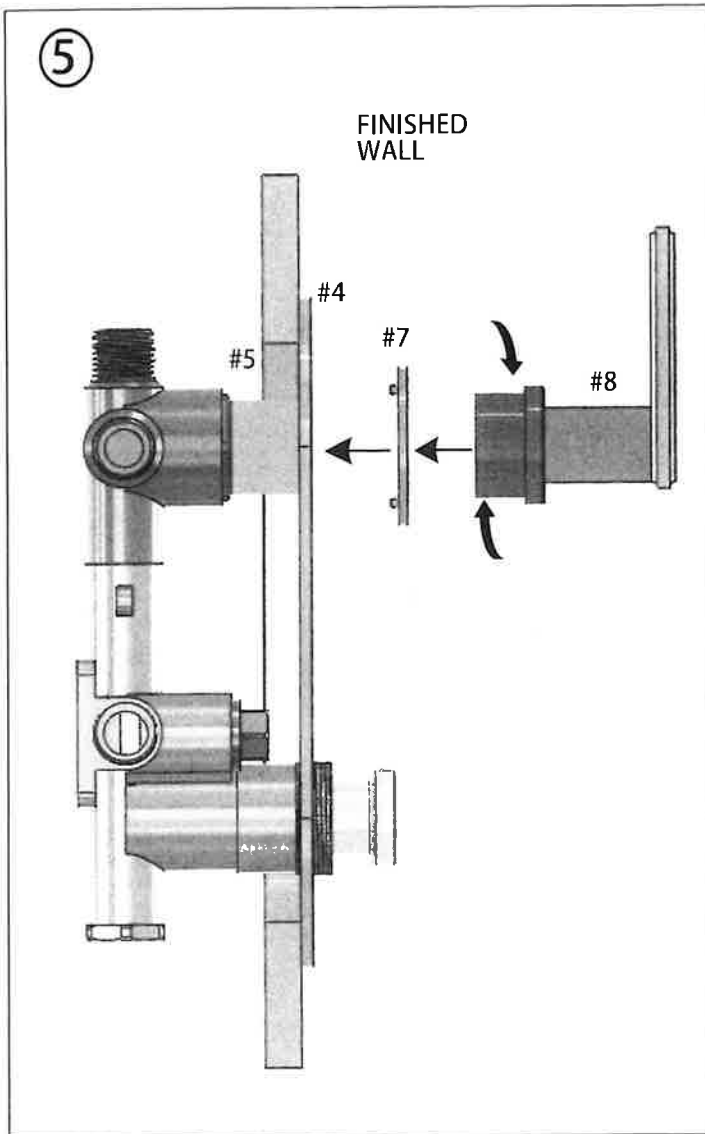
# INSTALLATION INSTRUCTIONS



- Once #5 is cut to the surface, insert #6 broach extension. Mark to surface of plate #4, remove and cut off excess broach extension.

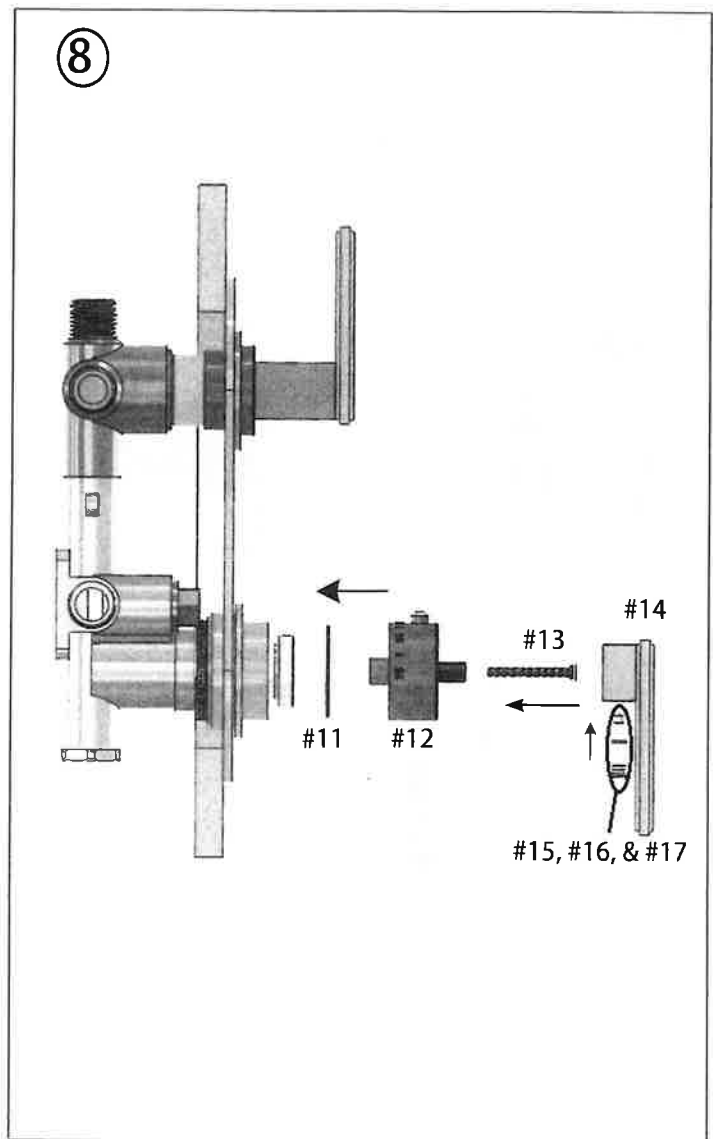
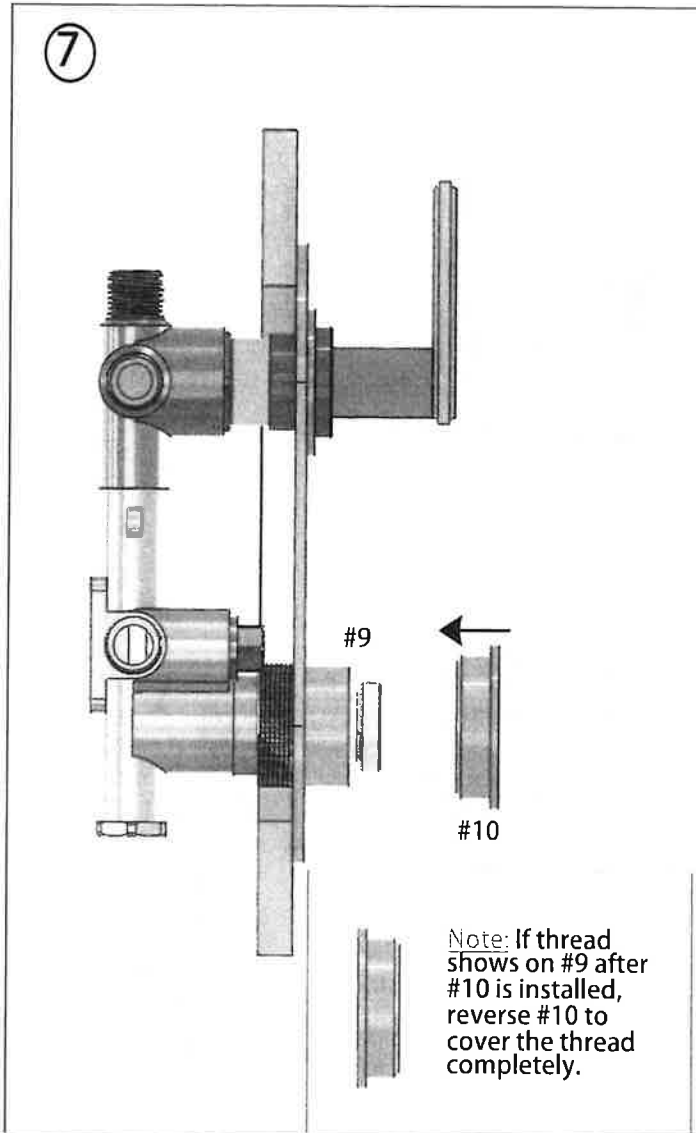
- Reinstall part #4 and #5

# INSTALLATION INSTRUCTIONS



- Place plate #4 on the wall.
- Install #7 diverter dial. (Make sure the OFF position faces the 12 o'clock position).
- Hand tighten Barosa diverter handle #8 to all thread extension #5 until flushed against #7 diverter dial.
- Screw on #9 thermostatic threaded sleeve onto thermostatic valve. Tighten all the way. The top of #9 threaded sleeve should be aligned to the bottom of #2 temperature restrictor.

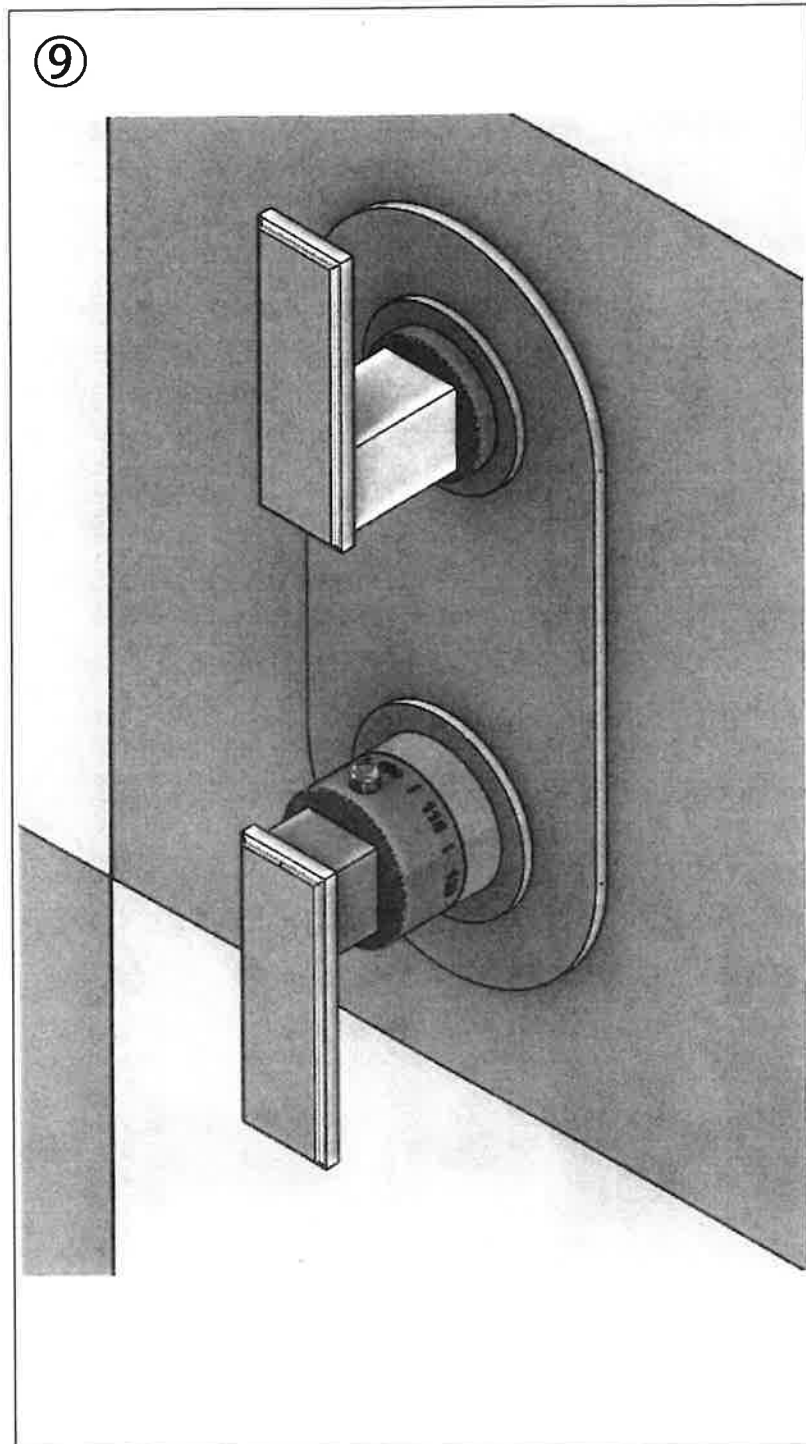
# INSTALLATION INSTRUCTIONS



- Hand tighten #10 thermostatic lock nut to #9 thermostatic threaded sleeve. Make the #10 lock nut flushed against plate as much as possible.

- Insert #11 teflon washer to bottom of #12 thermostatic dial.
- Insert #12 dial with the 100° text or push button pointing to the 12 o'clock position.
- Secure with #13 screw with o-ring. DO NOT OVER TIGHTEN.
- Assemble #14 Barosa thermostatic handle onto #12 dial and tighten with #15 set screw using #18 allen wrench. Make sure the lever is pointing to 6 o'clock position.
- Place o-ring #16 on plug #17 and insert it into the set screw #15 hole to cover it.

# INSTALLATION INSTRUCTIONS



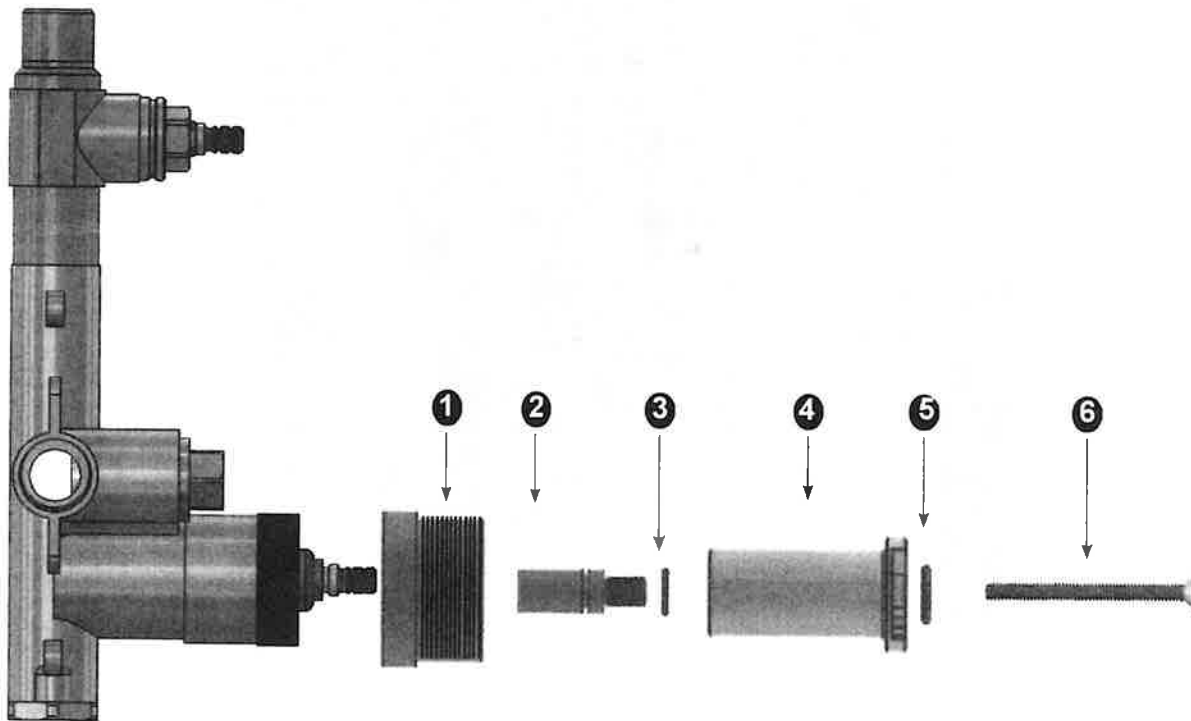
- The installation of the Barosa 1/2" Thermostatic Trim is finished.

# 1/2" THERMOSTATIC DIAL & VOLUME DIVERTER EXTENSION KIT (P00200)

If the valve is roughed too far into the wall, please use the extension kit provided in the clear plastic bag. To install this kit, refer to the instructions on the next few pages.

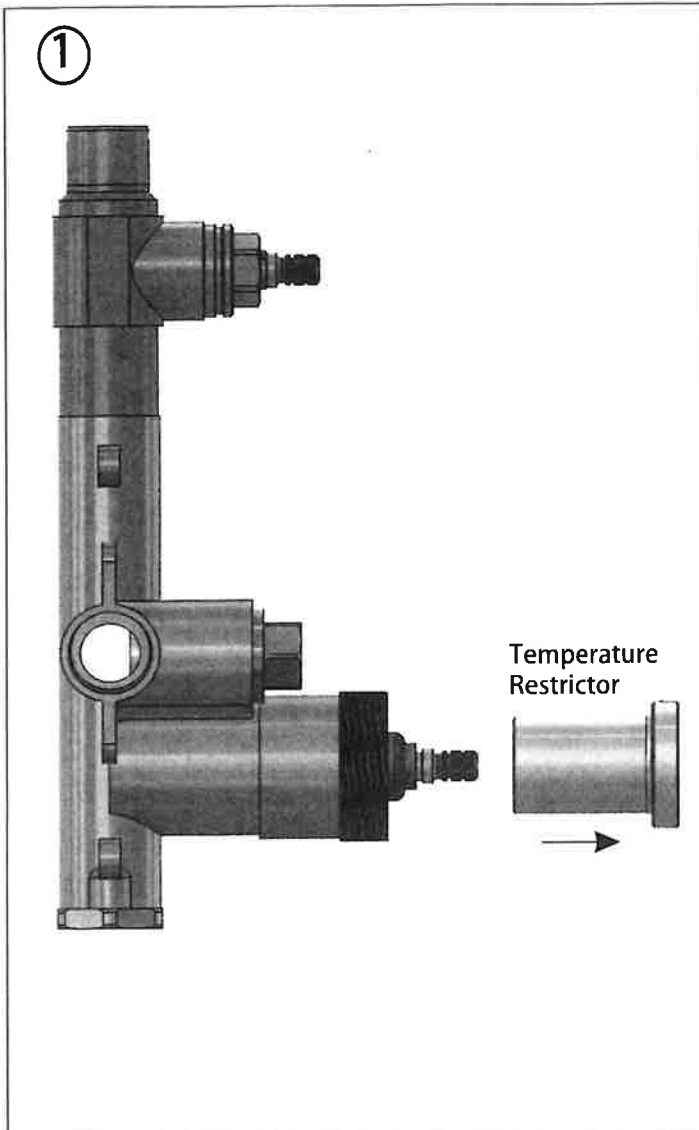
ITEM NO.	PART NUMBER	DESCRIPTION	QTY.
1	P00055-1	Threaded Sleeve Extension	1
2	SA255-1*	Broach for TH-7000 Extension Kit	1
3	PM-1215	O-Ring for SA255-1	1
4	TH-7000-2*	Plastic Temperature Restrictor for TH-7000 Extension Kit	1
5	PM-1216	O-ring for TH-7000-2	1
6	PM-5-4X-351-5*	Screw for TH-7000 Extension Kit	1

*-REPLACES-
TH-7000-3 FOR TH-7000-2
PM-5-4X-351-3 FOR PM-5-4X-351-5
SA255-2 FOR SA255

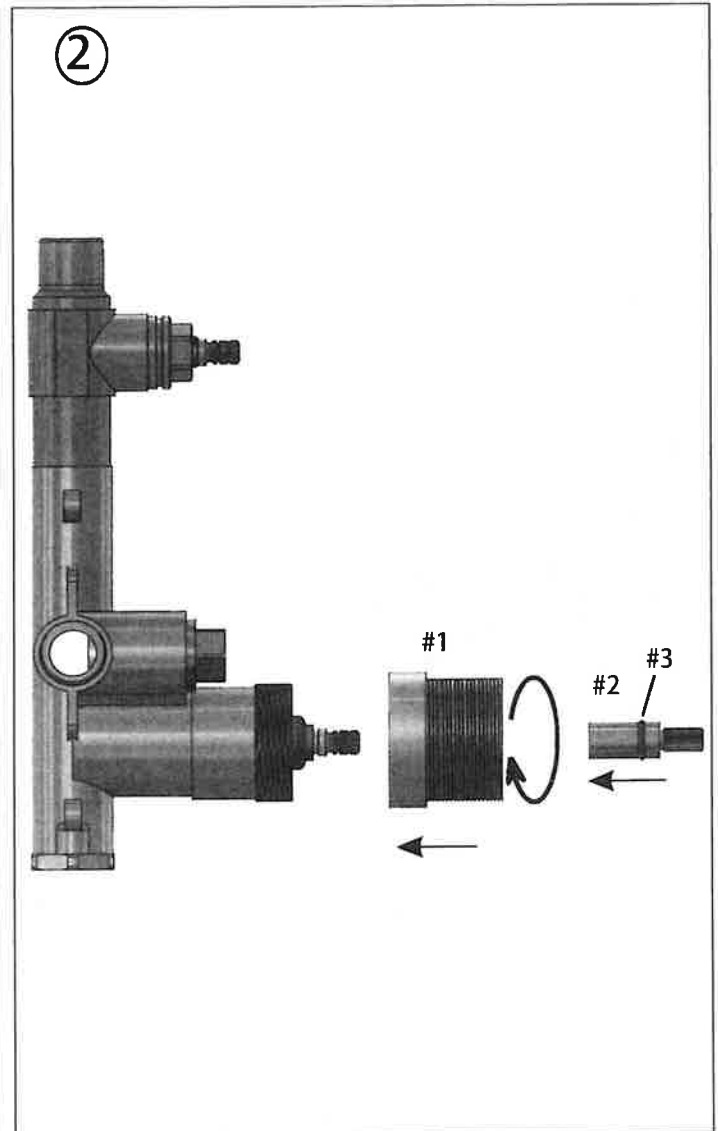




# EXTENSION KIT INSTALLATION INSTRUCTIONS

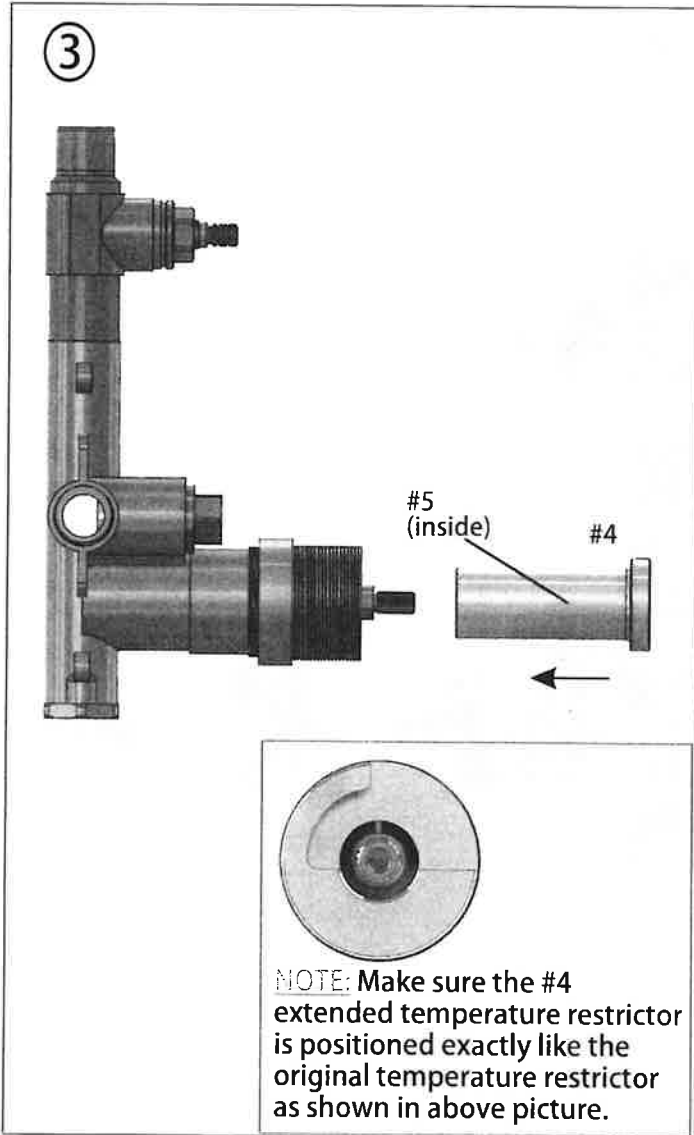


- Remove the temperature restrictor



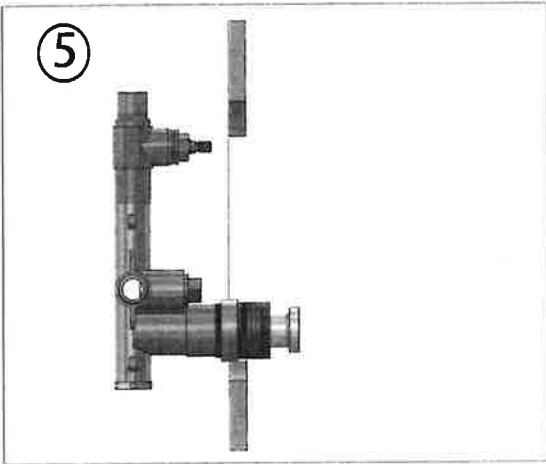
- Screw on #1 threaded sleeve extension onto thermostatic valve. Tighten all the way.
- Insert #2 broach for extension kit onto the cartridge. An #3 o-ring should already be installed along the groove of the broach extension.

## EXTENSION KIT INSTALLATION INSTRUCTIONS

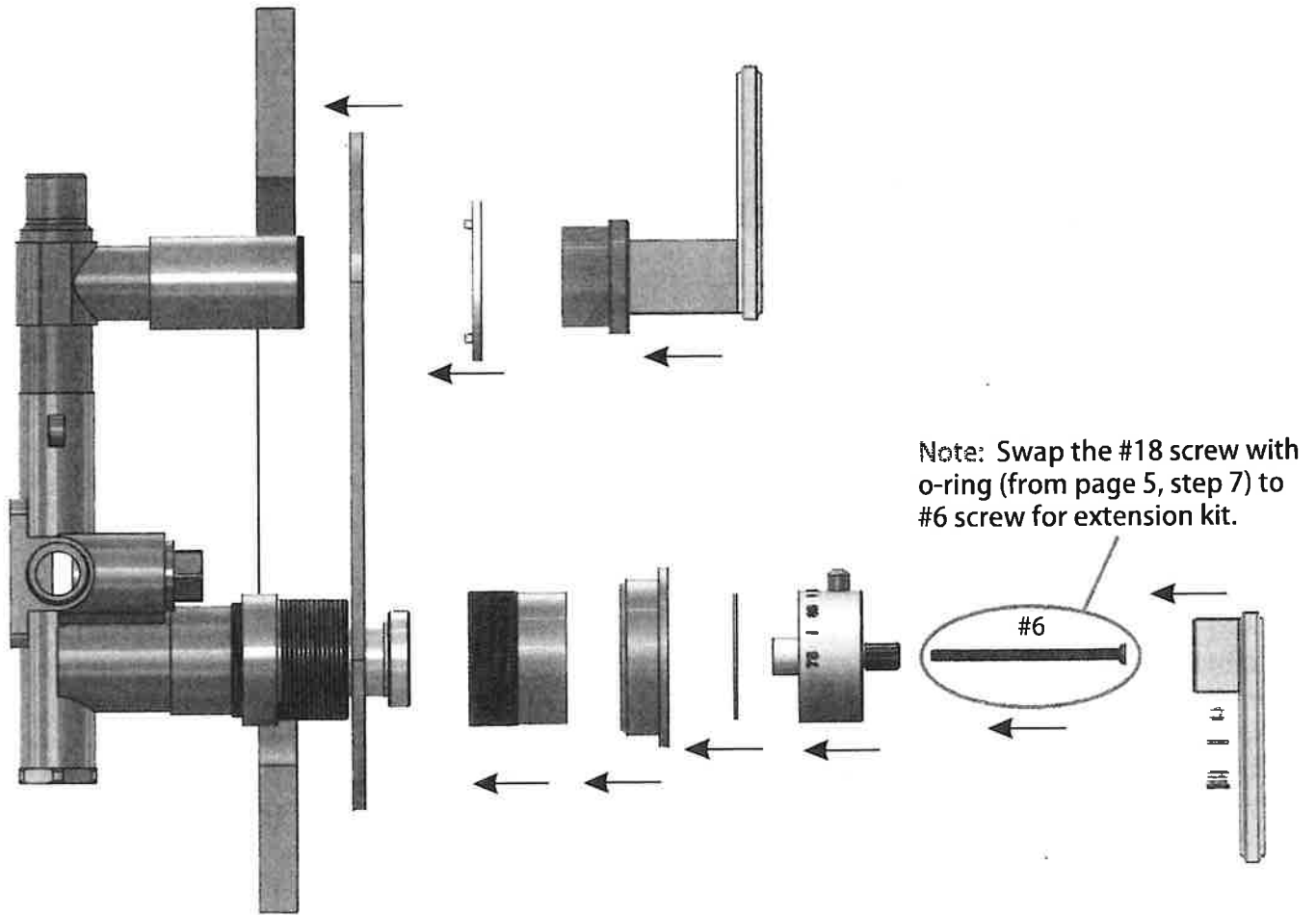


- Insert the #4 temperature restrictor for extension kit onto the cartridge. There should be a #5 o-ring installed inside the extended temperature restrictor.

# EXTENSION KIT INSTALLATION INSTRUCTIONS

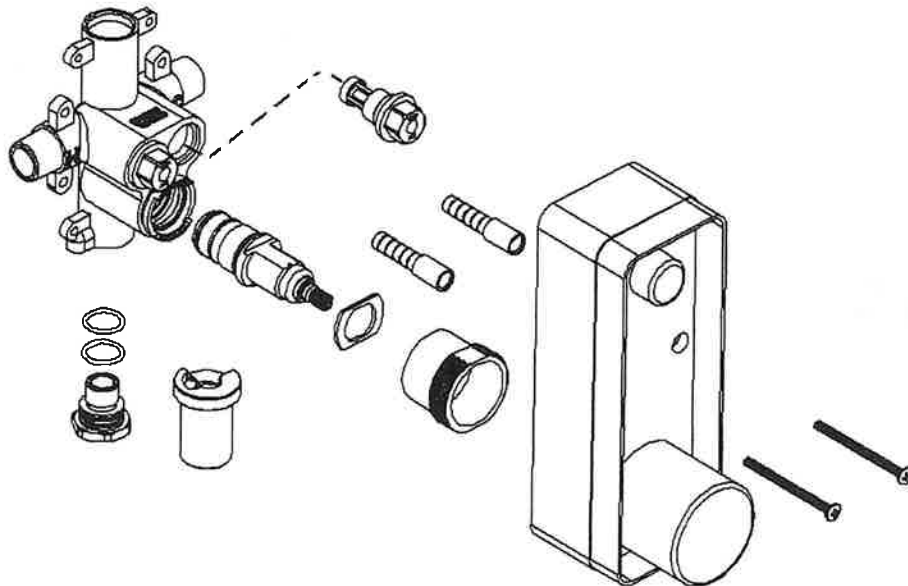


- The thermostatic valve with the attached extensions is ready for installation. Refer back to step 1 on page 2 to begin installation.



# MAINTENANCE

---



## General characteristic

- Santec thermostatic valve is suitable for most water heater systems provided it is installed correctly
- Low pressure storage heaters are not recommended for this application

Note: Cartridge and #2 Temperature Restrictor have RED markings indicating the 100° mark should be aligned at the 12 o'clock position.

## Cartridge Cleaning

After years of use, impurities and lime scale can restrict the water flow. To clean the cartridge, please follow these instructions:

- 1- Remove the handle screw, handle trim, trim plate screws, and trim plate.
- 2- Shut off the water line by turning the check valve shut off mechanism clockwise. Make sure that the both hot and cold sides are closed.
- 3- Remove the cartridge using a 30mm wrench.
- 4- Wash the filter under running water or soak it with vinegar or a descaling agent.
- 5- Reassemble the cartridge making sure that the red lines on the cartridge are aligned.
- 6- Open the check valve shut-off mechanism, turn on the water, and check water flow.
- 7- If the water flow is normal, reassemble the trims.