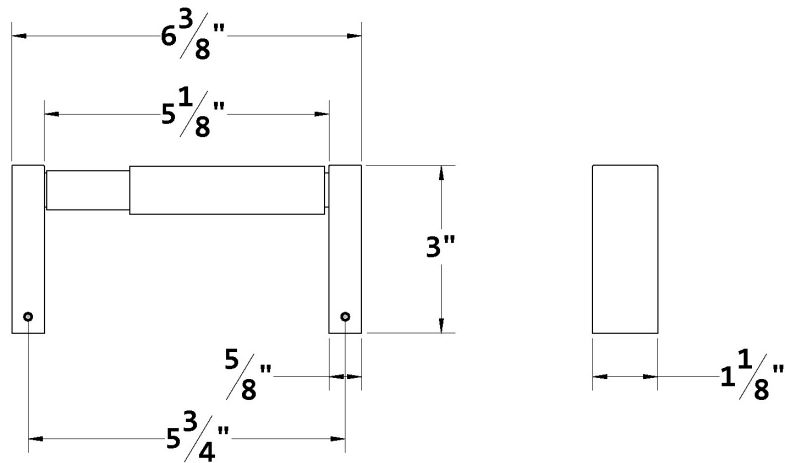
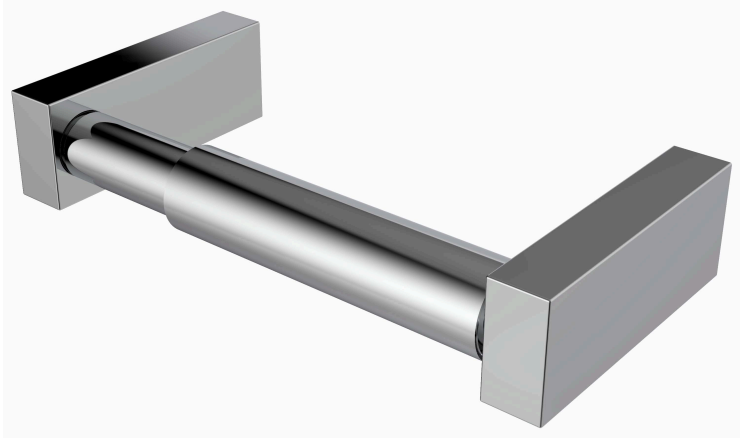


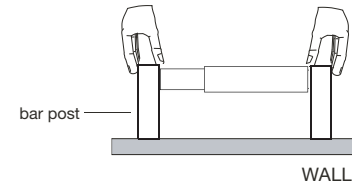
# Installation Instructions



**KEEP THIS INSTRUCTION BOOKLET FOR FUTURE REFERENCE**

Important: Santec reserves the right to request additional documents before servicing warranty requests.

1. Place the trim parts against the assigned wall location. Make sure the toilet paper bar is leveled and the holder post positions are correct. Mark with pencil the holder post positions and remove the trims.

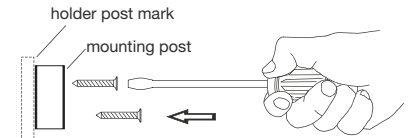


2. Using the Allen key provided, remove the mounting posts from the holder posts. Press the mounting posts against the holder post flange positions on the wall and mark the screw hole positions.

NOTE: MAKE SURE THE ALLEN SCREW HOLE ON THE MOUNTING POST IS FACING DOWN WHEN SECURING TO WALL.

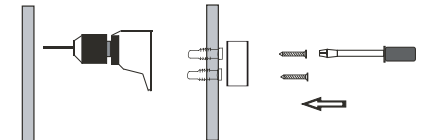
**INSTALLING ON WOODEN SURFACE**

For wooden surface, the mounting post can be secured by screwing the screws directly into the wall.



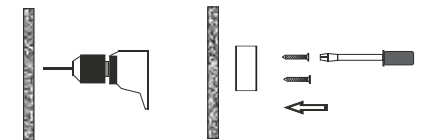
**INSTALLING ONTO DRYWALL SURFACE**

Using a drill, pre-drill holes for the anchors. Insert the anchors into the wall. The mounting post can be secured by screwing the screws into the anchors.



**INSTALLING ONTO A SOLID SURFACE**

Measure the dimensions carefully. Using a drill, pre-drill the holes. Secure the mounting post by screwing the screws into the wall.



# Installation Instructions

---

3. Press the holder posts over the mounting posts. Secure it by tightening the set screw.
4. Check the holder post to make sure it is firmly secured. If not, tighten the set screw with the Allen key.
5. Insert the toilet paper bar.

