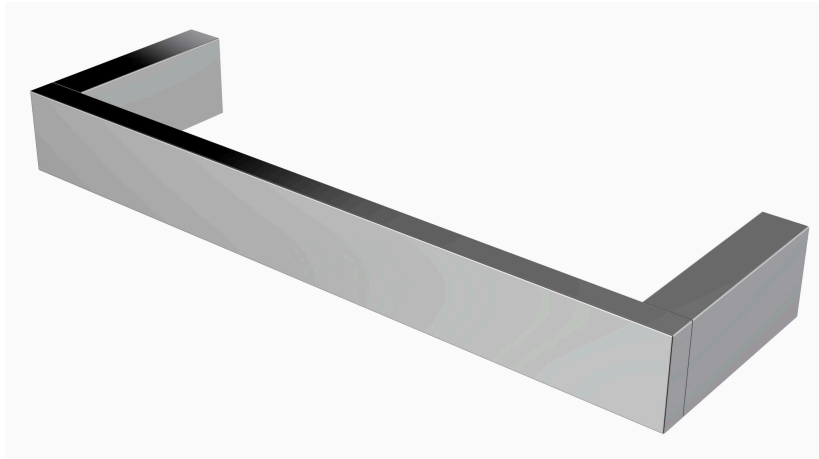
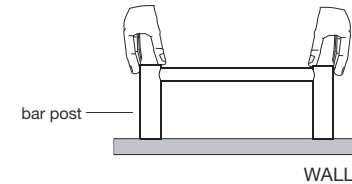


Installation Instructions



1. Place the trim parts against the assigned wall location. Make sure the bar is leveled and the bar post positions are correct. Mark with pencil the bar post positions and remove the trims.

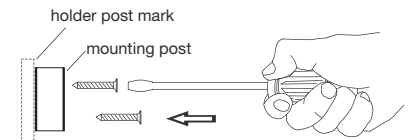


2. Using the Allen key provided, remove the mounting posts from the bar posts. Press the mounting posts against the bar post flange positions on the wall and mark the screw hole positions.

NOTE: MAKE SURE THE ALLEN SCREW HOLE ON THE MOUNTING POST IS FACING DOWN WHEN SECURING TO WALL.

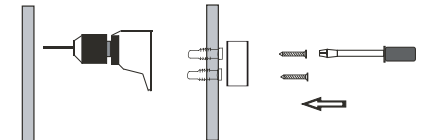
INSTALLING ON WOODEN SURFACE

For wooden surface, the mounting post can be secured by screwing the screws directly into the wall.



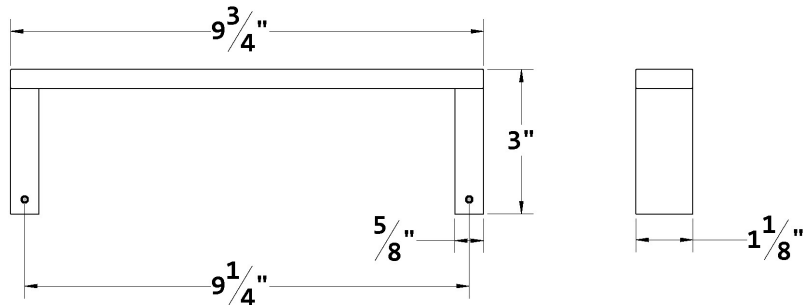
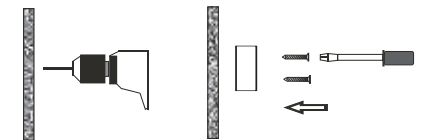
INSTALLING ONTO DRYWALL SURFACE

Using a drill, pre-drill holes for the anchors. Insert the anchors into the wall. The mounting post can be secured by screwing the screws into the anchors.



INSTALLING ONTO A SOLID SURFACE

Measure the dimensions carefully. Using a drill, pre-drill the holes. Secure the mounting post by screwing the screws into the wall.



KEEP THIS INSTRUCTION BOOKLET FOR FUTURE REFERENCE

Important: Santec reserves the right to request additional documents before servicing warranty requests.

Installation Instructions

3. Press the left and right bar post against the mounting post. Align the bar post and secure it by tightening the set screw.
4. Check both bar posts to make sure they are firmly secured. If not, tighten the set screws with the Allen key.

