

SANTEC

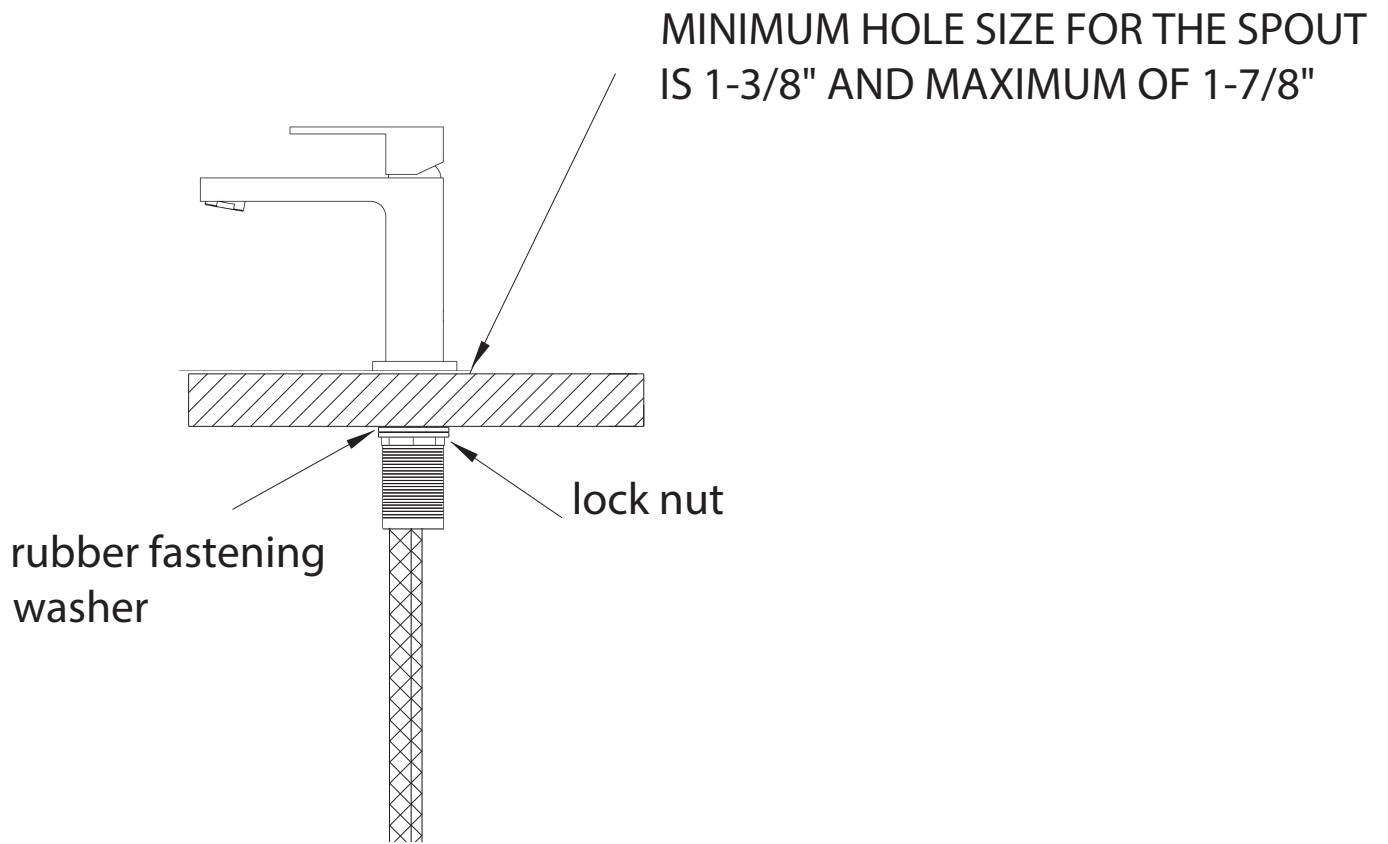
FLUID IMAGINATION

METRA COLLECTION
SINGLE CONTROL LAVATORY
WITH "MD" HANDLES

MODEL: 2480MD



Single Control

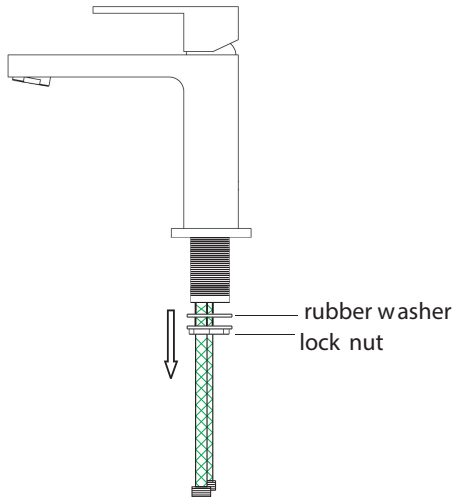


*** NOTE: SHUT OFF WATER SUPPLY BEFORE BEGINNING INSTALLATION***

Single Control

Step 1

Remove lock nut and rubber washer from threaded sleeve.

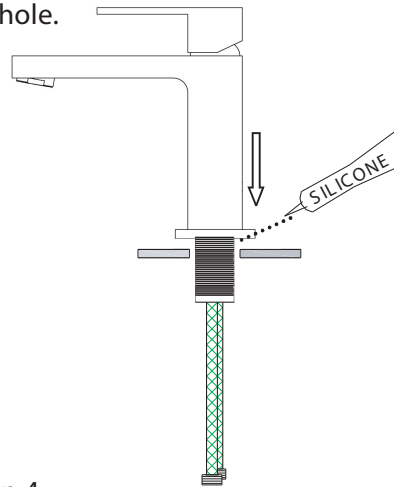


Step 2

Apply a ring of silicone caulking around hole designated for spout.

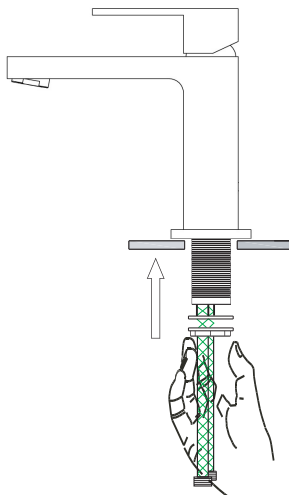
DO NOT USE PLUMBERS PUTTY WHICH CAN DAMAGE FINISH

Insert faucet assembly through hole in sink or counter top, being sure to center faucet in hole.



Step 3

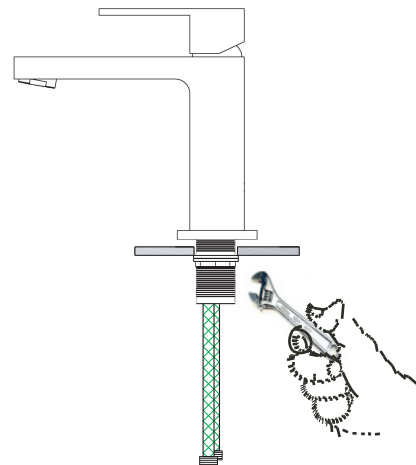
Re-install rubber washer from below. Hand tighten lock nut from below while aligning fixture.



Step 4

Secure fixture from below by using either an adjustable wrench or basin wrench to the lock nut.

Connect fixture to water supplies.



NOTE (FLUSH THE LINE)

After all the connections have been made from inlet supplies to angle stop, remove the aerator. Open both hot and cold valves. Slowly open angle stop from below and flush the lines for approximately 45 seconds to clean any debris. Turn off the water and reinsert aerator. Debris present in the line will damage fixture and cause leaking. Failure to flush fixture could result in possibly voiding warranty .

Push Pop-Up Drain

- 1** Remove the drain plug and gasket from push pop-up assembly. remove the washer, lock nut and un-thread bottom drain tube.
- 2** Insert flange on the drain hole up through bottom of lavatory. add silicon sealant/putty around the flange. Secure by adding rubber washer, gasket, plastic washer and lock nut.
- 3** Insert the threaded end of the assembly up from the under the sink so that the drain tube is firmly attached to the drain plug.. Make sure to add plumber tape before threading the drain tube.
- 4** Make sure the thread of drain flange and bottom of the drain tube are tighten. If not it may cause water leaks. add tape or tighten the locknut from under the sink.
- 5** Test the push pop-up for smooth operation. to open push pop-up simply push once. Push again to close it.

