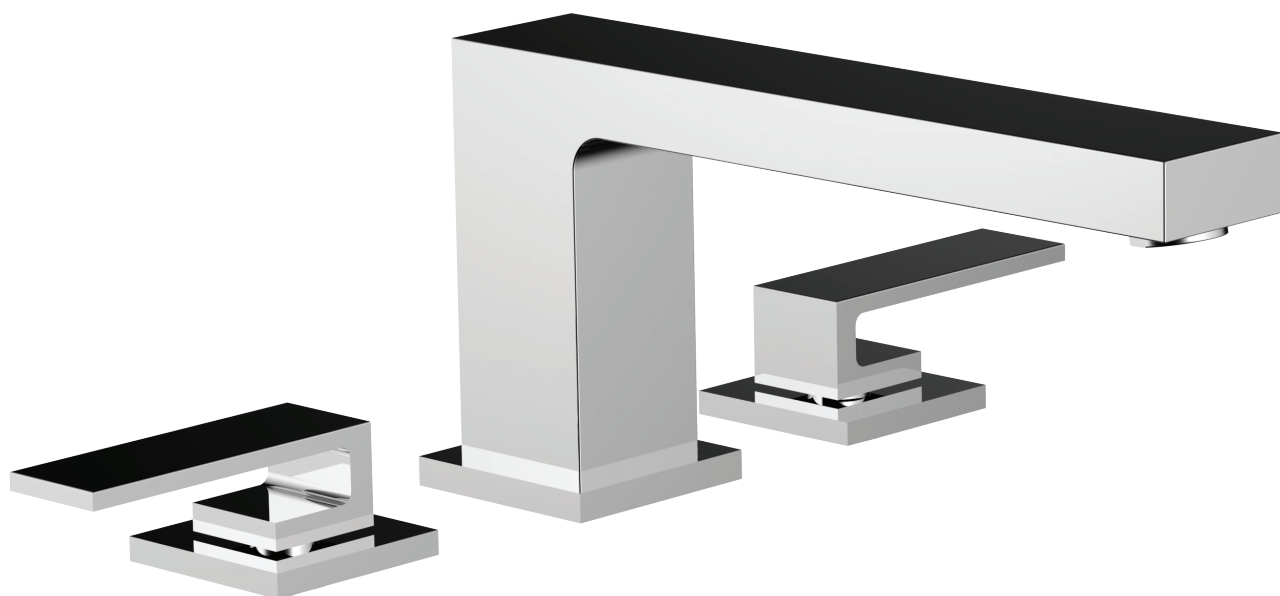


# SANTEC

FLUID IMAGINATION

METRA COLLECTION  
ROMAN TUB FILLER  
WITH "MD" HANDLES

MODEL: 2450MD\_-TM



# Specifications

---

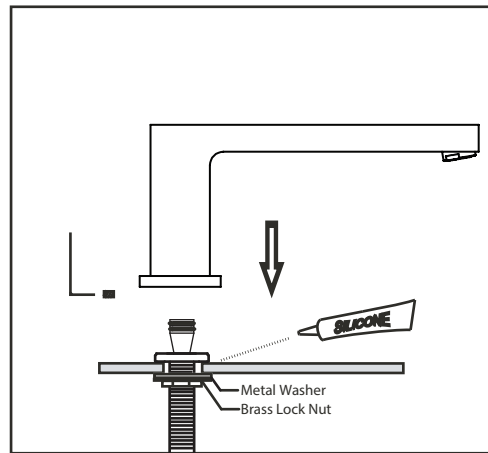
Flush both supply lines before installation. After flushing, shut off both supply lines.  
Hole size for the spout and handle trim is a minimum of 1¼" and a maximum of 1½".

## 1. Spout Installation

From the top of the deck, insert the spout onto the top of the quick connect shank.

Align the spout and tighten the set screw with the large Allen key (included).

NOTE: For better installation, it is advisable to place silicone caulking around all holes on the top of the deck.



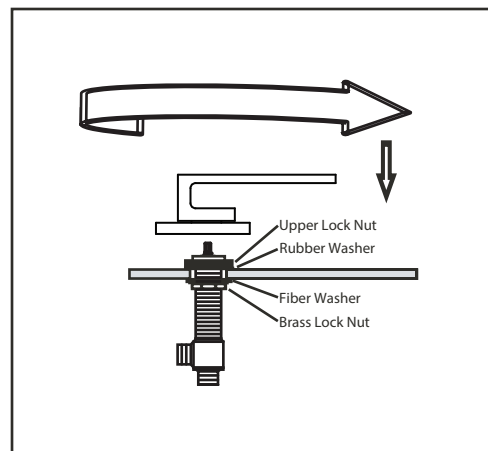
## 2. Handle Trim Installation

Screw the handle flange onto the upper lock nut of installed valve. Ensure the handle turns in the correct direction.

Adjust the handle flange alignment in respect to the spout.

Make sure that the handle turns freely in both directions and tighten the brass lock nut firmly. If the handle is scraping against the stem, lower the valve body to reduce the friction.

Repeat the same process for the opposite side handle.



# Roman Tub Filler Trim

## 3. Flush the Line

After all the connections have been made, remove the aerator housing, basket, and washer.

Turn on the water-both hot and cold sides-and flush the line for 45 seconds.

Turn off the water and re-insert the washer, basket, and housing.

Turn on the water and check for leakages at all joints. If water leaks from any of the connections tighten the connection until the leakage stops.

