

SANTEC

FLUID IMAGINATION

SHOWER HEADS

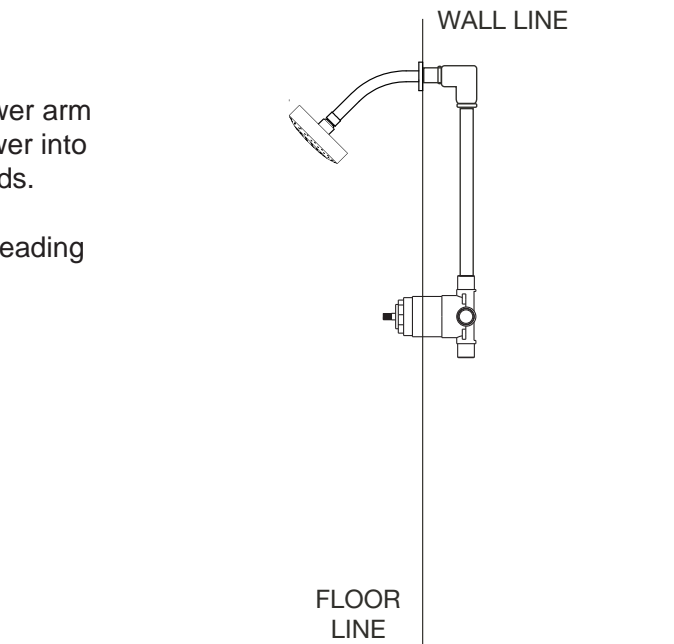
VARIOUS MODELS



Installation

Wrap the pipe threading extending from the shower arm and flange with Teflon tape, then thread the shower into the wall until the shower head is facing downwards.

WARNING: Do not use excessive force when threading on the shower arm.



Step 1. Once shower arm is threaded into the wall , add Teflon tape to the threads.

Step 2. Insert screen washer (if applicable) between female threads and shower arm before threading onto arm.

