

SANTEC

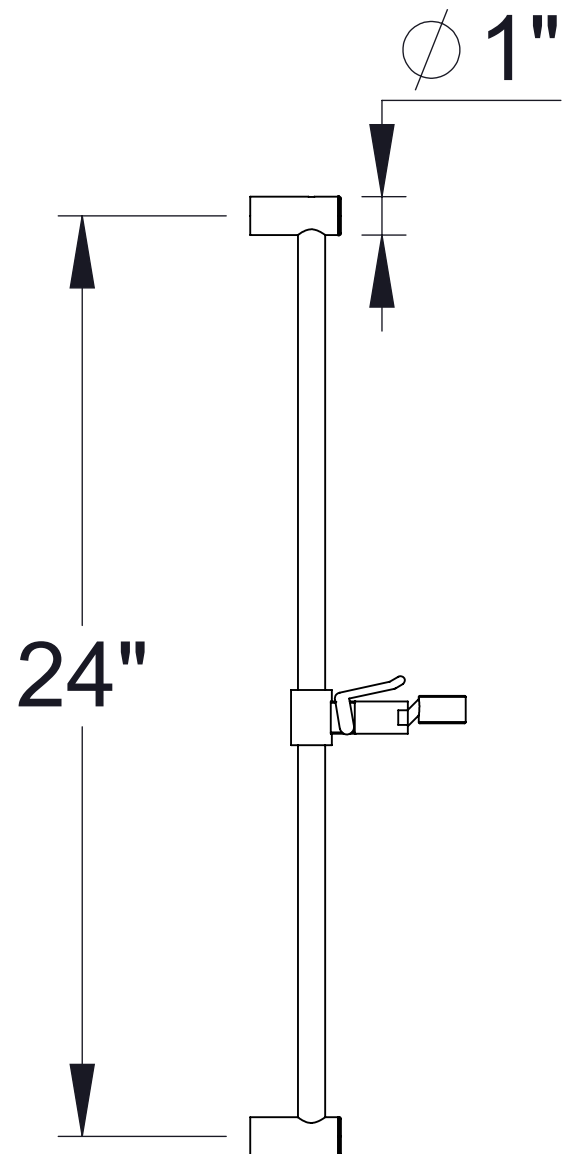
FLUID IMAGINATION

Rev. 7/25

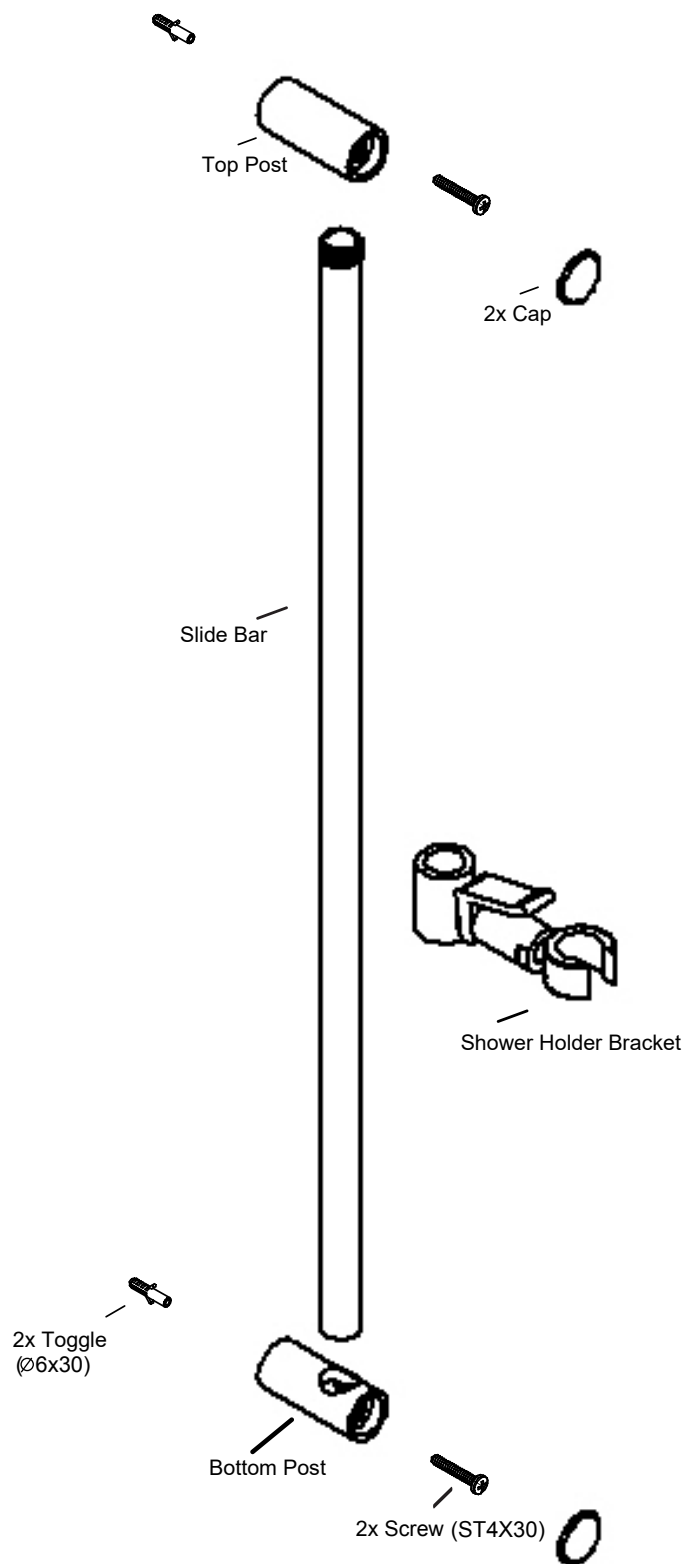
GENERIC

PERSONAL HAND SHOWER SLIDE BAR

MODEL: SL-142 or 708452
WITH OPTIONAL VARIOUS HAND SHOWERS



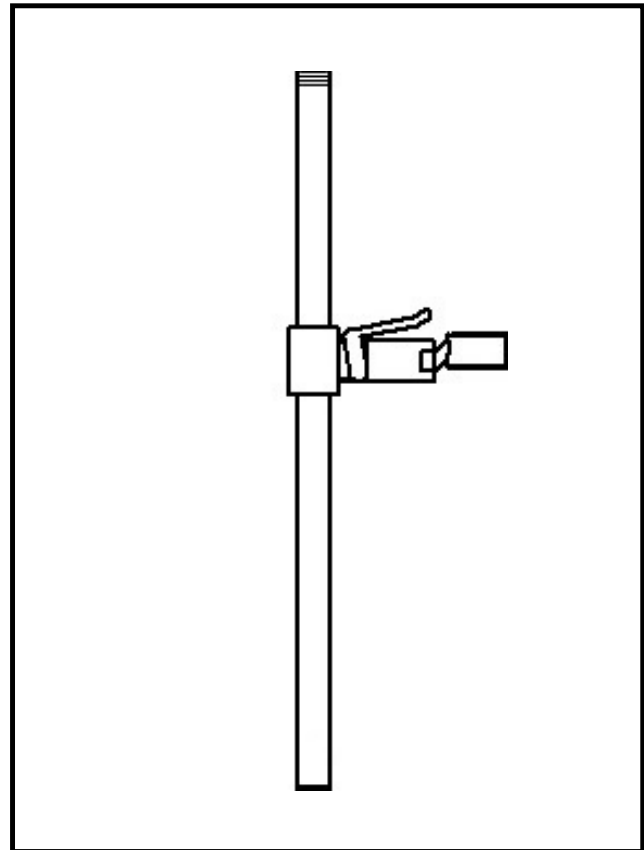
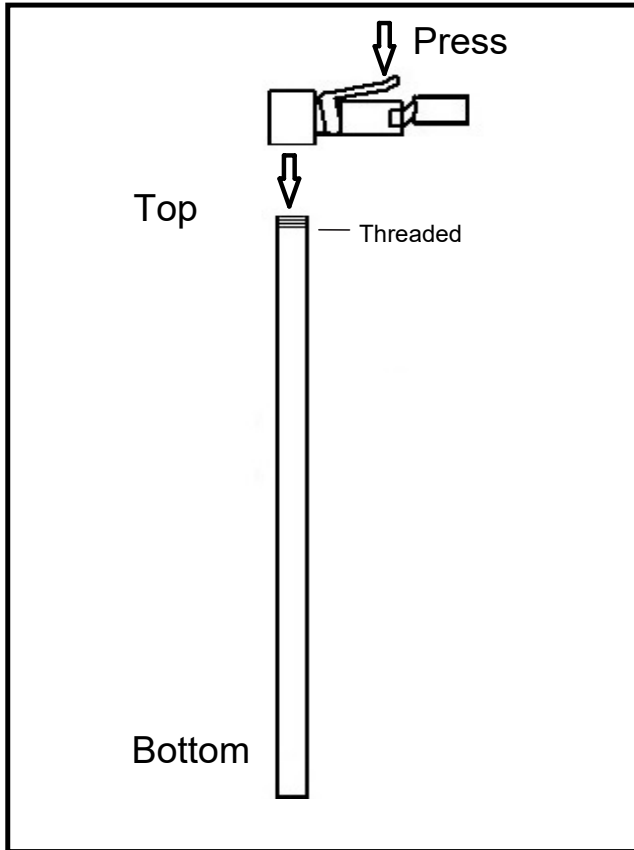
Slide Bar Components



Installation

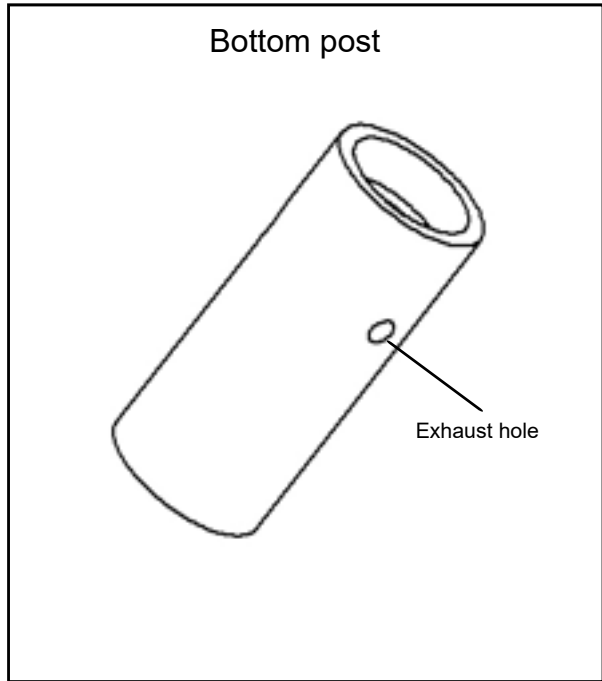
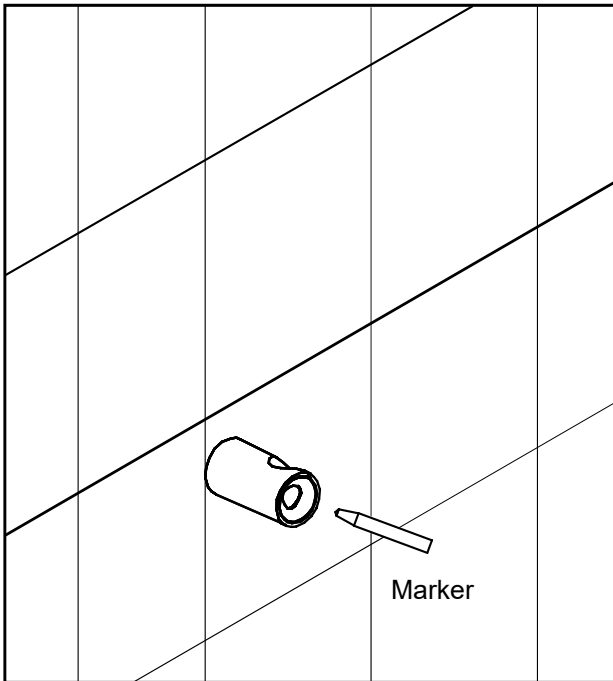
Step 1:

Insert shower holder bracket onto the slide bar. Press down on the bracket lever to loosen the grip for ease of insert. The threaded end of the slide bar should be pointed upward.



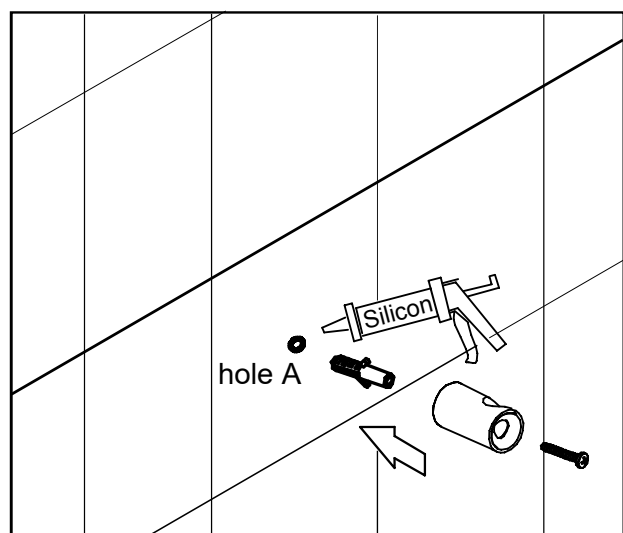
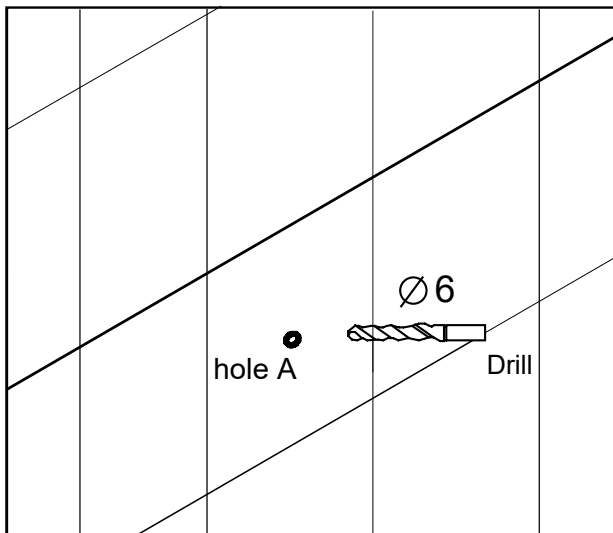
Step 2:

After determining the slide bar's location on the wall use the bottom post and mark the hole (hole A) on the wall with a marker. The bottom post can be identified with its exhaust hole as shown in the right image below.



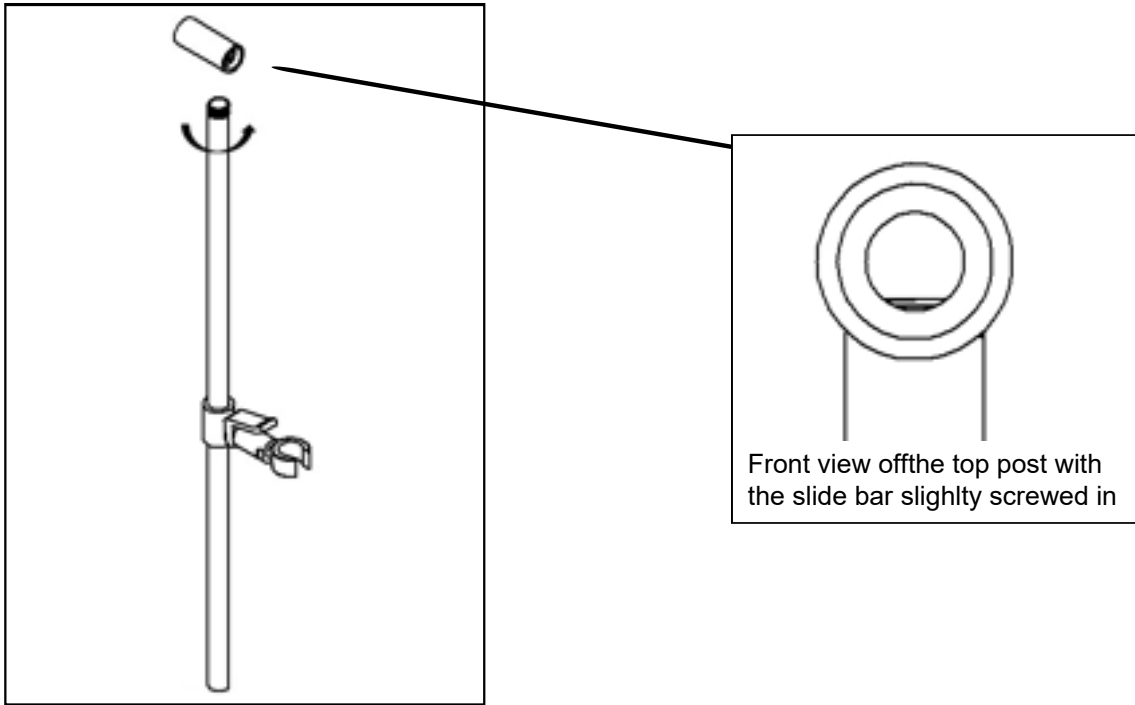
Step 3:

Drill hole A on the mark. Inject the silicon into hole A and insert a toggle into it. Secure the bottom post to the wall using the screw(ST4X30).



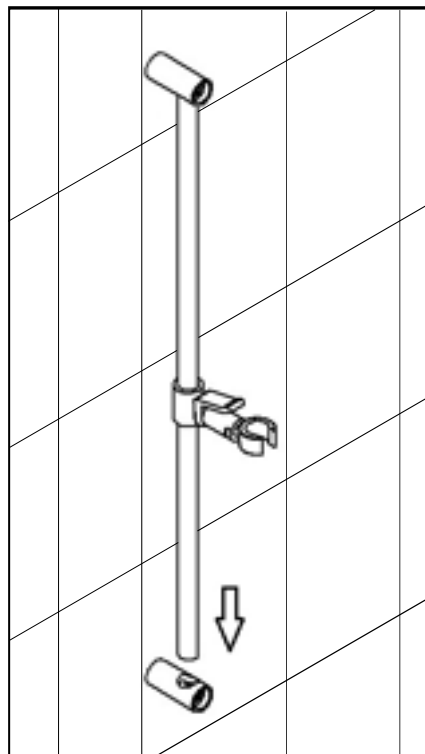
Step 4:

Slightly screw the slide bar into the top post. Leave enough room for a marker and screw to be inserted through the post as shown below.

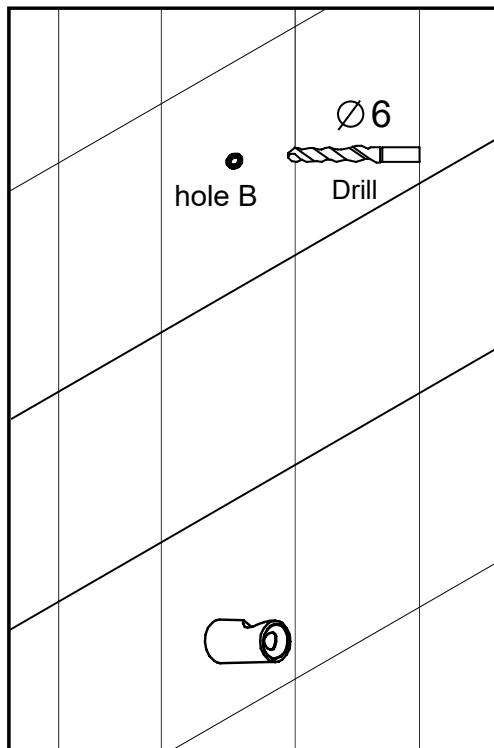
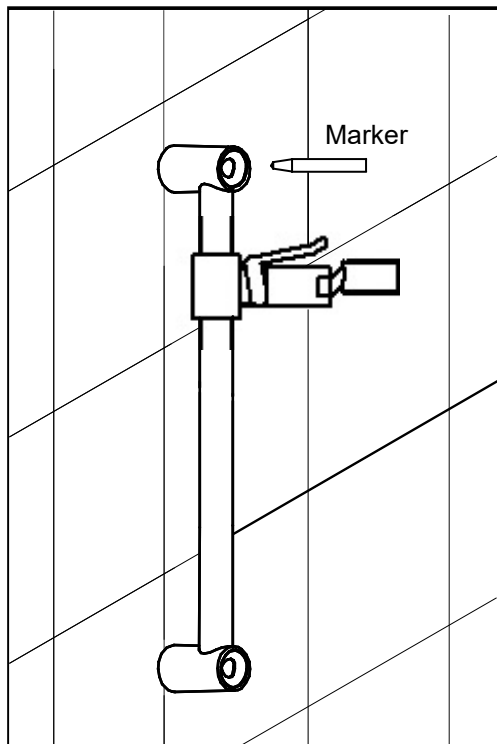


Step 5:

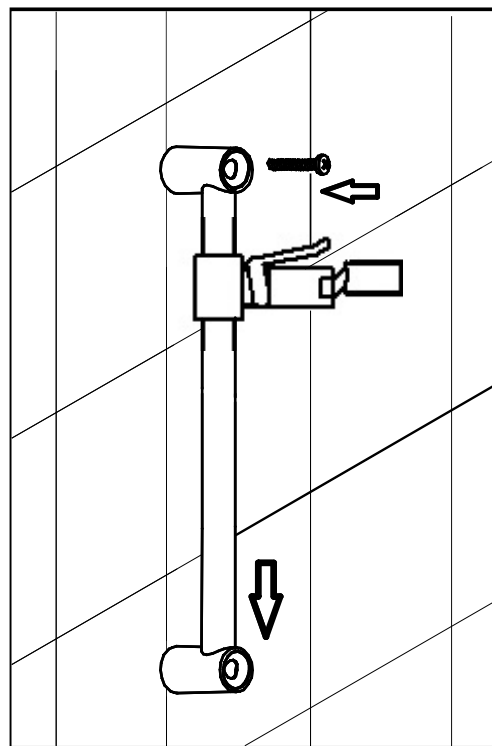
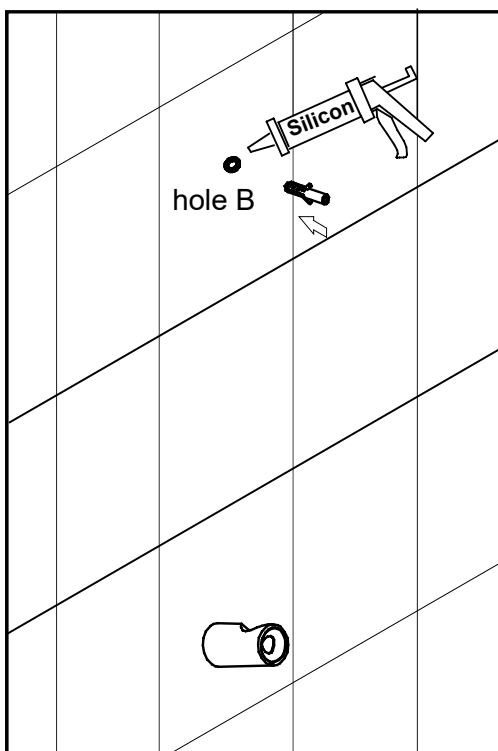
Insert the non-threaded end of the slide bar assembly all the way into the bottom post that is mounted to the wall.



Step 6:
Mark the hole (hole B) with a marker. Remove the slide bar assembly. Proceed to drill hole B on the mark.

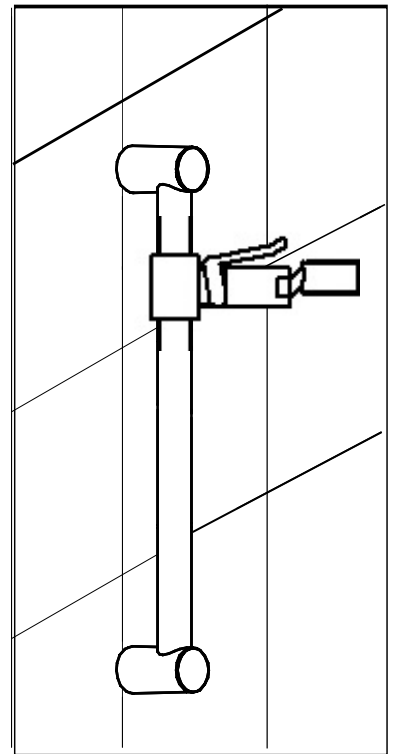
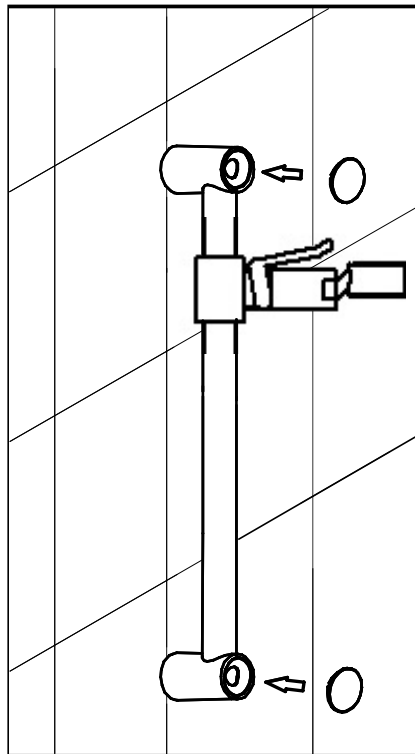
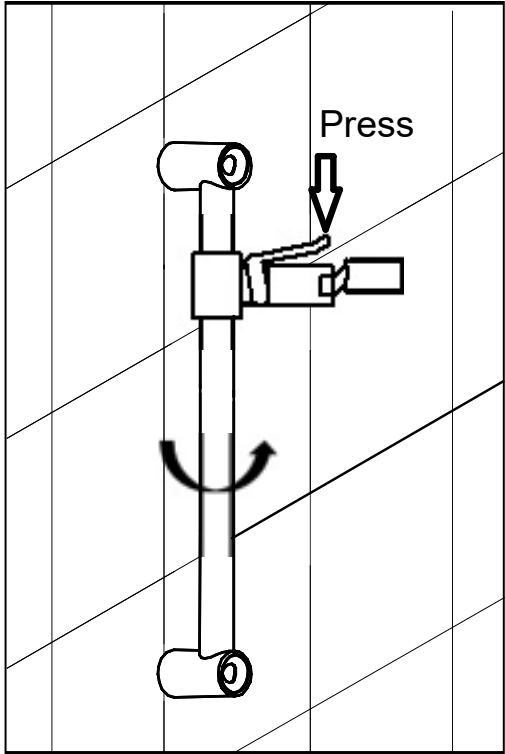


Step 7:
Inject the silicon into hole B and insert a toggle into it. Insert back the slide bar assembly all the way into the bottom post. Secure the top post to the wall using the screw (ST4X30).



Step 8:

Press down on the bracket lever and rotate the slide bar into the top post until it is tightened. Put the caps onto the posts to cover. Installation is now complete.



OPTIONAL ASSEMBLY FOR HAND SHOWER HOSE CONNECTION TO SUPPLY ELBOW

Note: Position supply elbow according to personal preference per location of water source.

ATTACH THE HOSE PROPERLY BY FOLLOWING THE INSTRUCTIONS BELOW.

Attach the HEX NUT on the hose to the WATER SOURCE. Attach the CONICAL NUT at the other end of the hose to the HAND SHOWER.

Slip the spray assembly into the slotted groove of the Adjustable Bracket.

Move the adjustable bracket to desired height.

