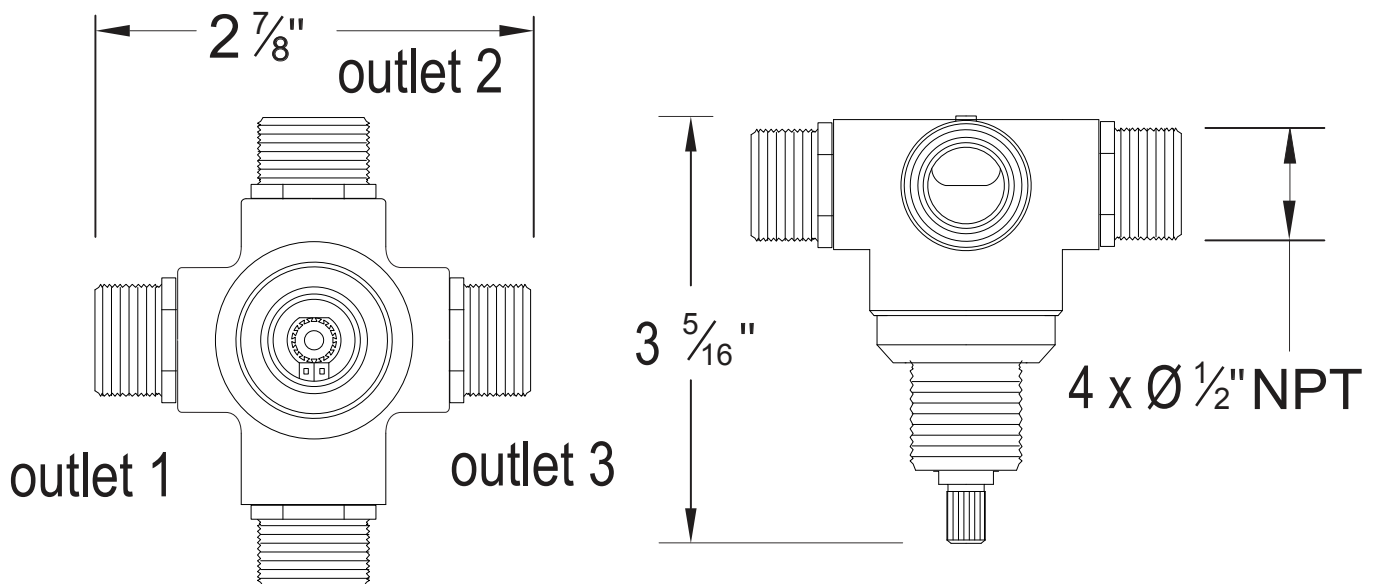
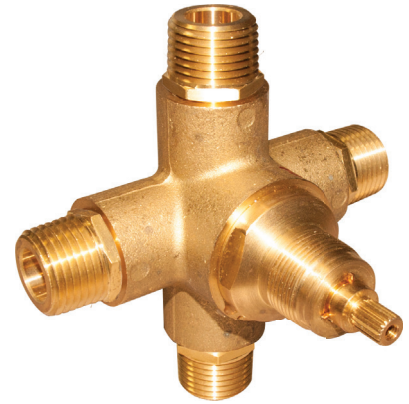


PRODUCT SPECIFICATION SHEET

ITEM # SA3WAY20
ROUGH
3-Way wall mount diverter /
CALGreen compliant

- Extension kit included with trim
- HANDLE TRIM NOT INCLUDED
- One 1/2" NPT inlet port
- Three 1/2" NPT outlet ports
- 9 GPM
- Non-Shared Function (CALGreen compliant)



The measurements shown are for reference only. Products and specifications shown are subject to change without notice.