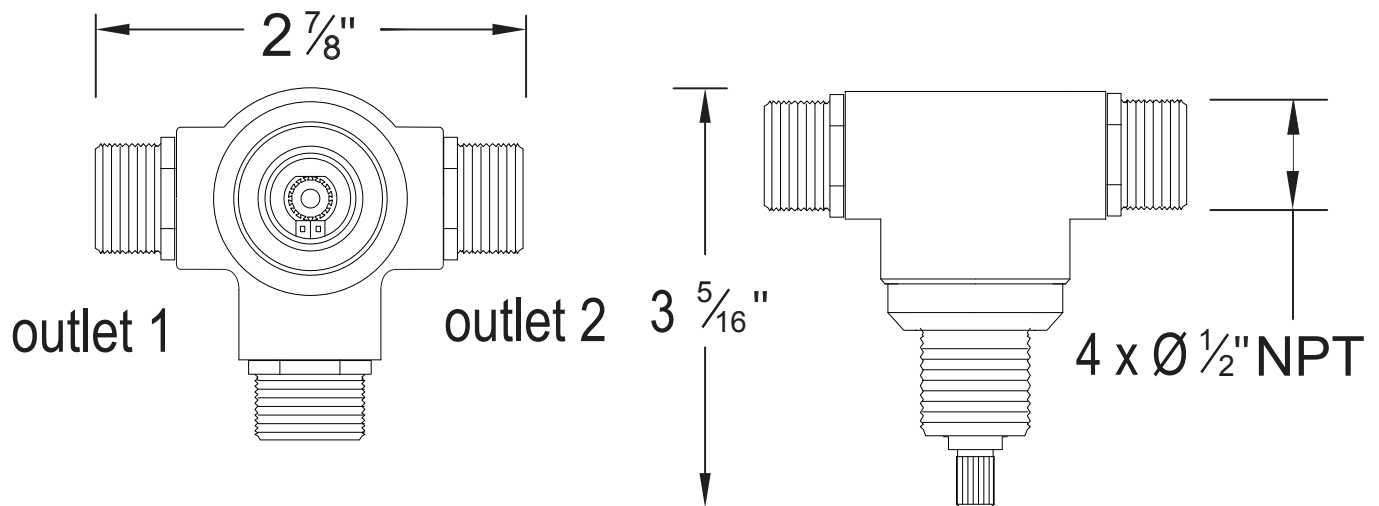
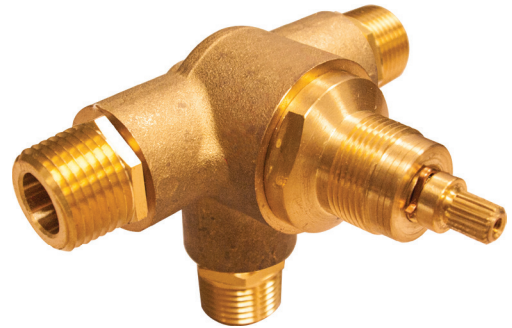


PRODUCT SPECIFICATION SHEET

ITEM # SA2WAY20 ROUGH 2-Way wall mount diverter / CALGreen compliant

- Extension kit included with trim
- HANDLE TRIM NOT INCLUDED
- One 1/2" NPT inlet port
- Two 1/2" NPT outlet ports
- 9 GPM
- Non-Shared Function (CALGreen compliant)



The measurements shown are for reference only. Products and specifications shown are subject to change without notice.