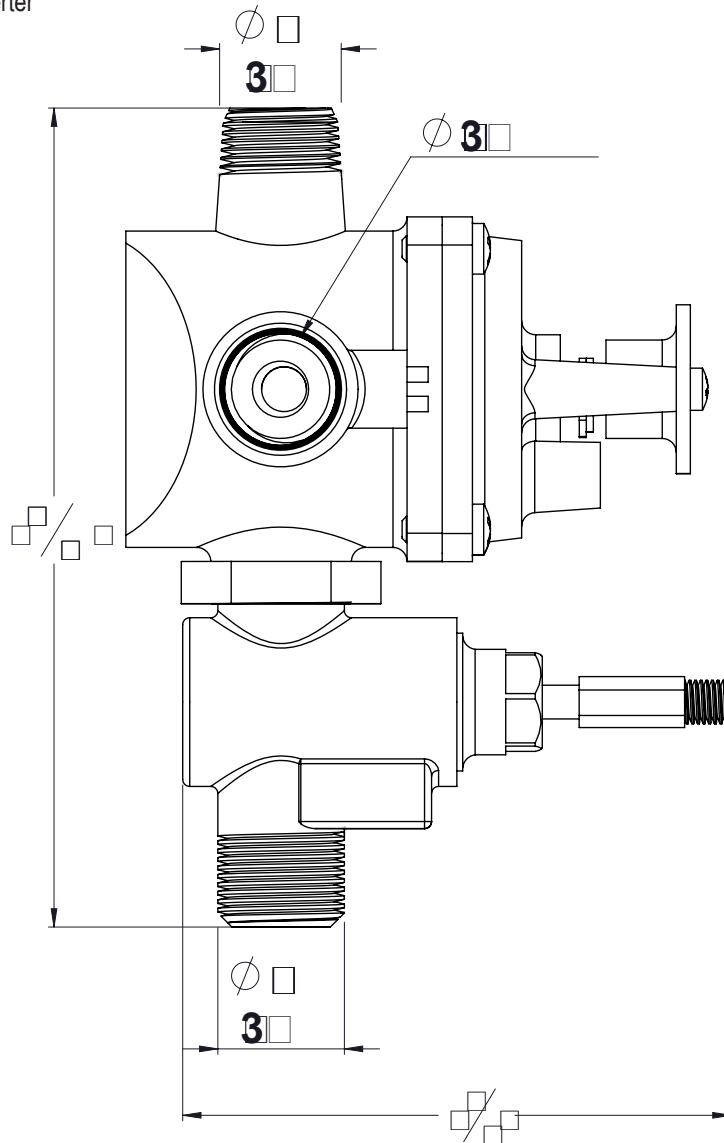


PRODUCT SPECIFICATION SHEET

ITEM # PB-3950 ROUGH Pressure balanced control with diverter valve

- Two 1/2" NPT inlet
- Two 1/2" NPT outlet
- With integral stops and diverter
- 6 GPM



The measurements shown are for reference only. Products and specifications shown are subject to change without notice.