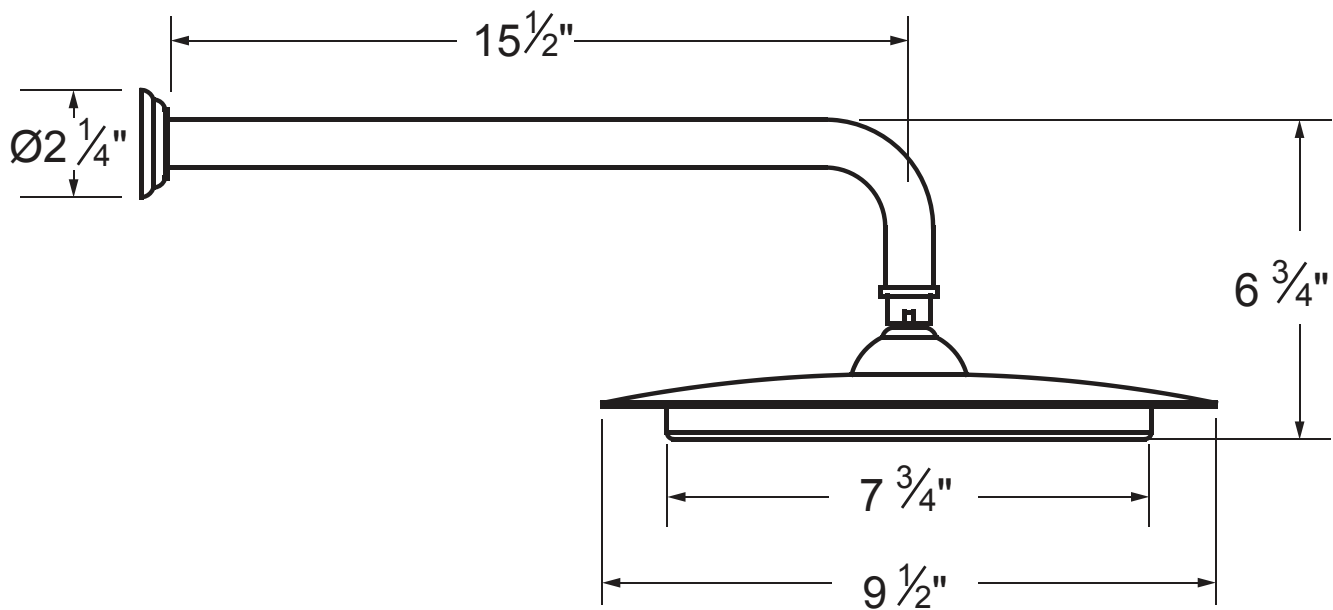


PRODUCT SPECIFICATION SHEET

ITEM # 707909

Round 9-1/2" shower head with arm and flange

- 9-1/2" OD
- 1/2" female rain head connection
- 1/2" male wall mount arm connection
- 2.5 GPM
- Includes flow restrictor (CA 2.0 GPM
CAL GRN compliant)



The measurements shown are for reference only. Products and specifications shown are subject to change without notice.

www.santecfaucet.com | P: 310.542.0063 F: 310.542.5681