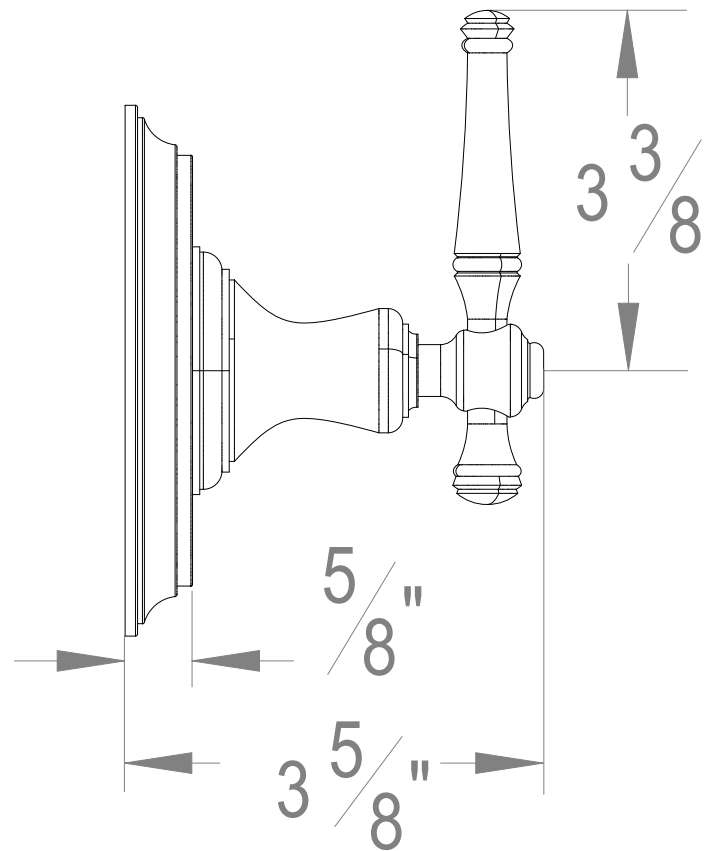
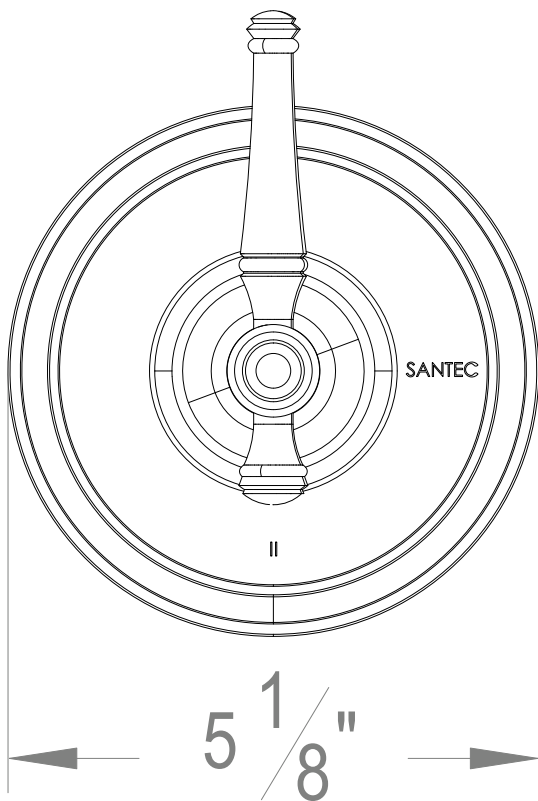
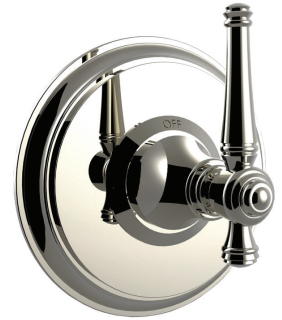


PRODUCT SPECIFICATION SHEET

ITEM # DT2-KL-TM
TRIM
2-Way wall mount diverter

- "KL" style handle
- VALVE NOT INCLUDED
- USE SA2WAY20 VALVE



The measurements shown are for reference only. Products and specifications shown are subject to change without notice.