

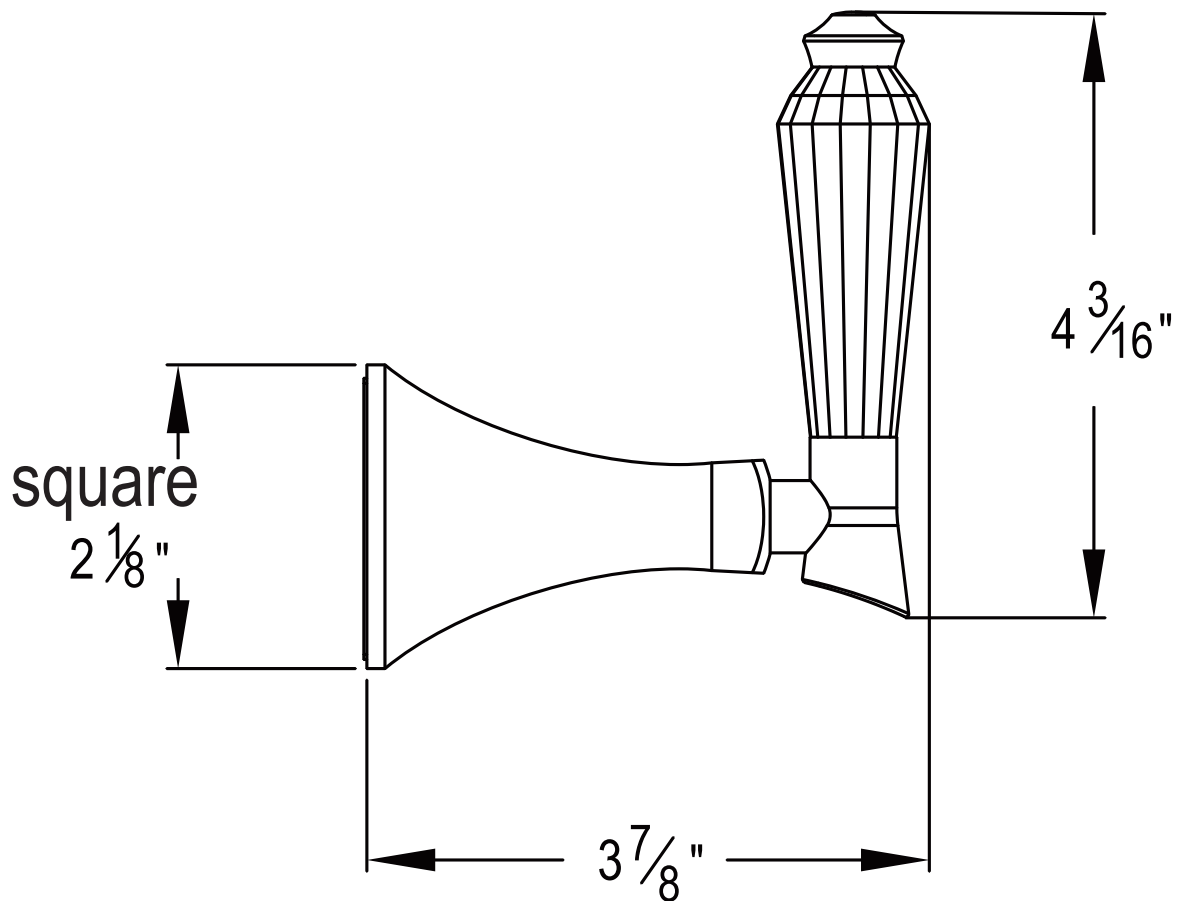
PRODUCT SPECIFICATION SHEET

ITEM # DT4-DC-TM

TRIM

**3-Way wall mount diverter
/ CALGreen Compliant**

- "DC" style handle
- VALVE NOT INCLUDED
- USE SA3WAY20 VALVE



The measurements shown are for reference only. Products and specifications shown are subject to change without notice.

www.santecfaucet.com | P: 310.542.0063 F: 310.542.5681