

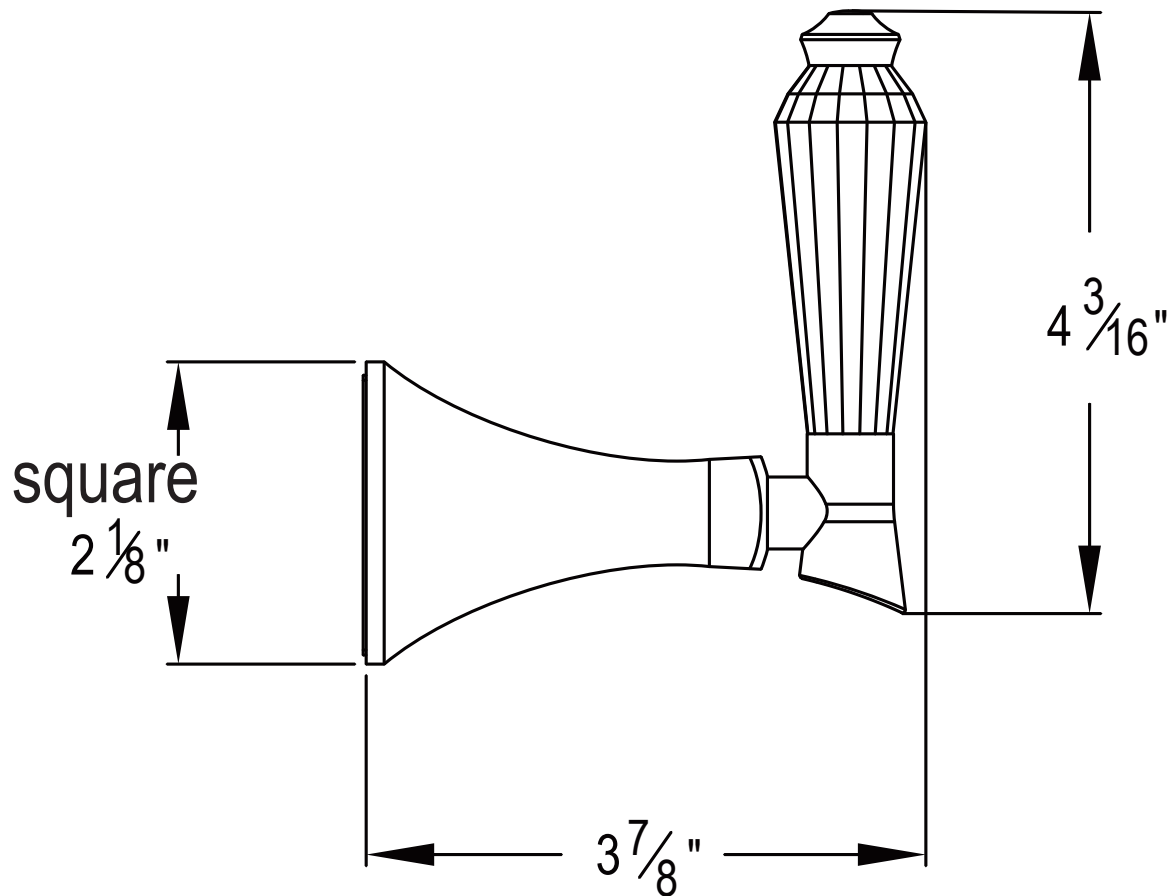
PRODUCT SPECIFICATION SHEET

ITEM # DT2-DC-TM

TRIM

2-Way wall mount diverter

- "DC" style handle
- VALVE NOT INCLUDED
- USE SA2WAY20 VALVE



The measurements shown are for reference only. Products and specifications shown are subject to change without notice.