

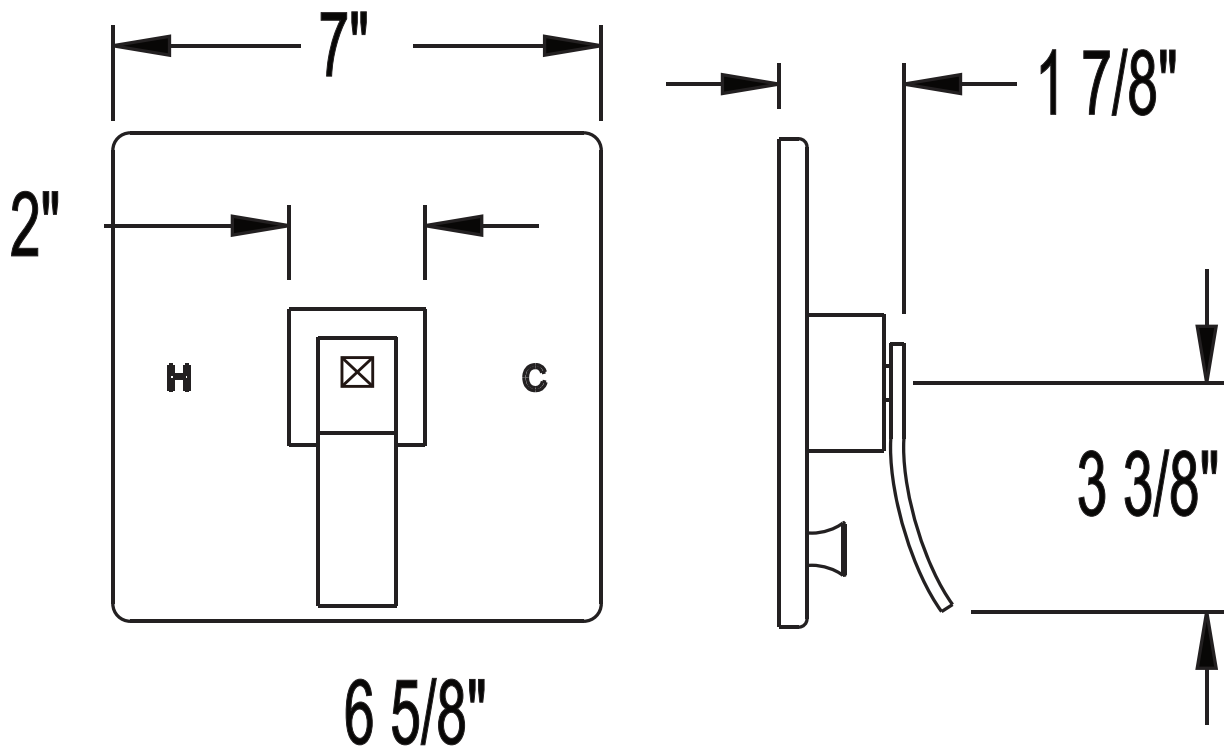
PRODUCT SPECIFICATION SHEET

ITEM # 9935CR-TM

TRIM

**Pressure balanced control
with diverter**

- "CR" style handle
- Includes push button diverter, handle and plate
- VALVE NOT INCLUDED
- USE PB-3950 VALVE



The measurements shown are for reference only. Products and specifications shown are subject to change without notice.

www.santecfaucet.com | P: 310.542.0063 F: 310.542.5681