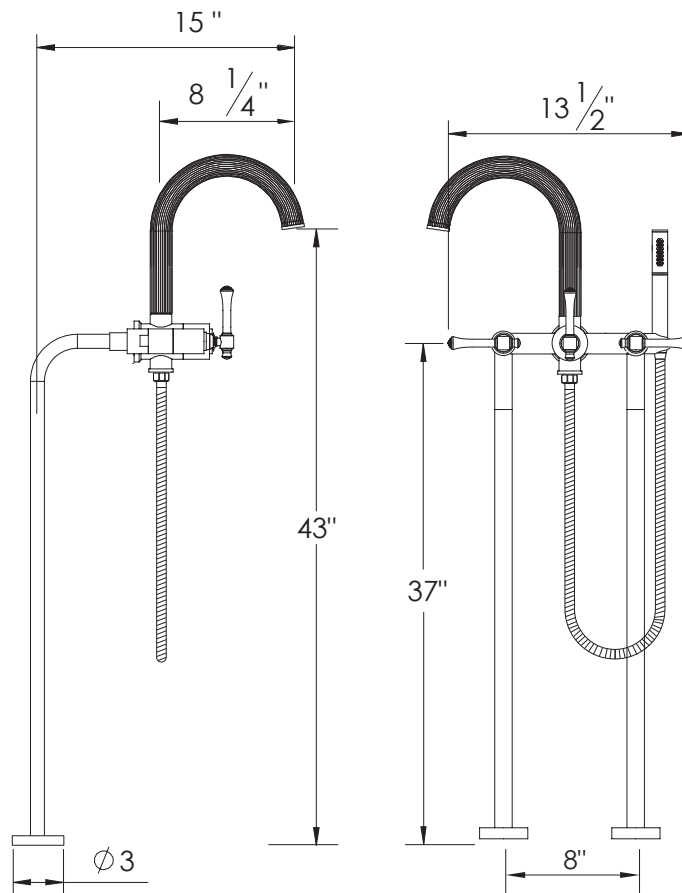


PRODUCT SPECIFICATION SHEET

ITEM # 7051 □

Floor mount tub filler with multifunction hand shower

- 9 GPM
- ROUGH INCLUDED
- Multifunction hand shower
- Hand shower hose 57" long
- Hand shower is 2.0 GPM
- 0DLPP061



The measurements shown are for reference only. Products and specifications shown are subject to change without notice.