

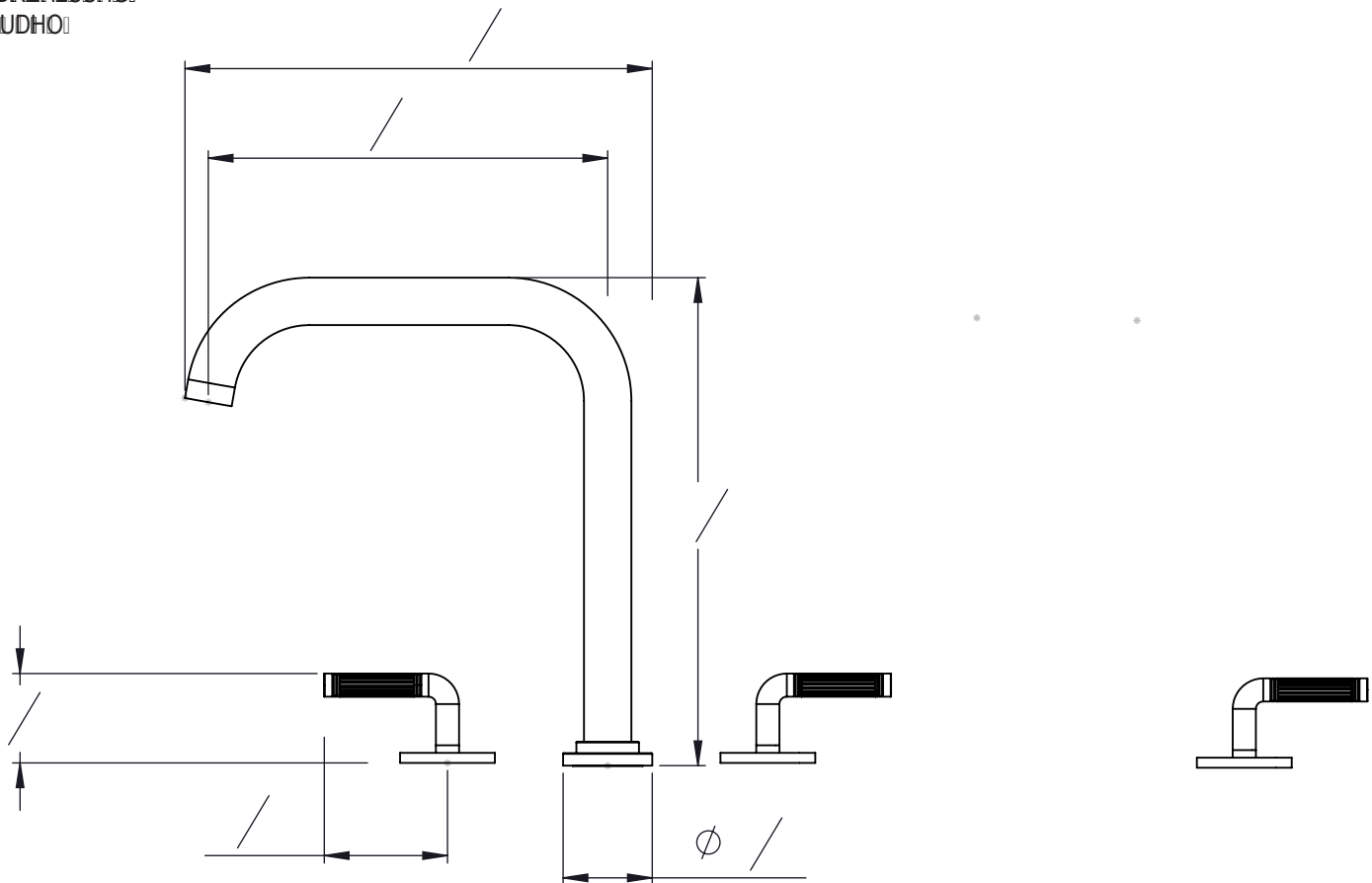
PRODUCT SPECIFICATION SHEET

ITEM # 101

TRIM

Roman tub filler with hand shower

- "1" style handles
- 30
- Includes backflow preventor R1
DGHOGRHU
- Single function sprayer
- FOGHDOH
- UFHUPLFGLNFDUULGH
- ROUGH INCLUDED
- 5RFDREHLSSHG
HSDUDHO



The measurements shown are for reference only. Products and specifications shown are subject to change without notice.