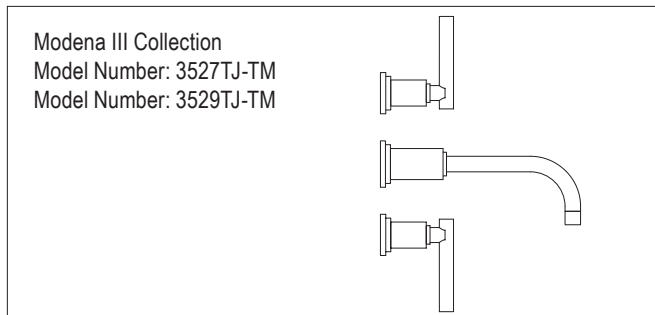
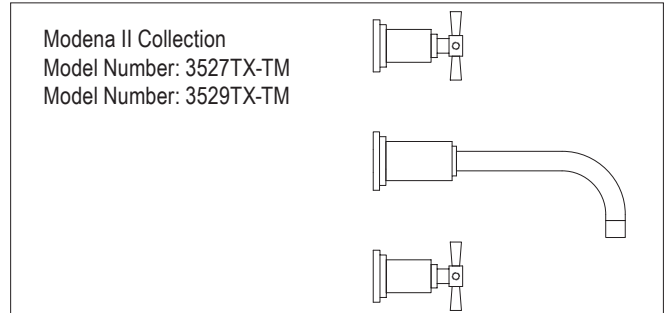
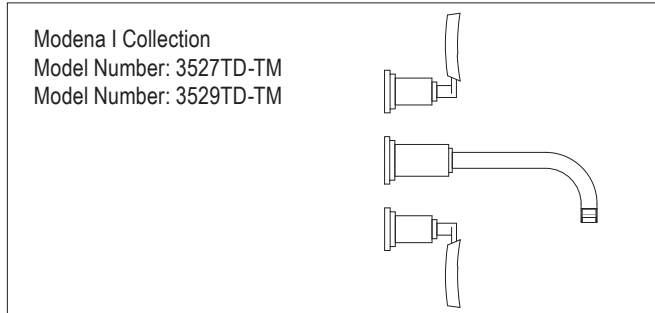


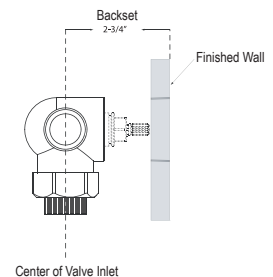
Please read the instructions completely before beginning the installation.



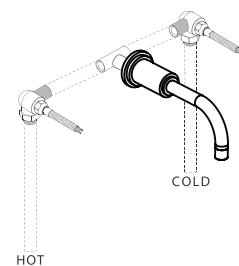
Flush both supply lines before installation, then shut off both supply lines.
 Minimum hole size for the spout and handle trim is 1-1/4" and maximum of 1-1/2"

ROUGH INSTALLATION

- 1 - Determine where the finished wall will be. This measurement is necessary to accurately plumb in the valve.
 - Install the valve making sure that the measurement between the center of the valve inlet and the outside of the finish wall is 2-3/4". This measurement is called the backset.



- 2 - Using 1/2" IPS, connect the corner of the valves to the spout base at the desired spread.
 - Again, allow no more than 1-1/4" diameter holes for the spout and handles.



NOTE:

- Where tile construction is planned for the finished walls, allow for extra thickness dimensions when roughing in the valves.
- Test for proper function before closing walls.

The measurements shown are for reference only. Products and specifications shown are subject to change without notice.

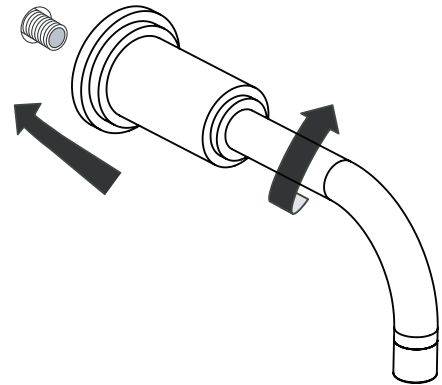
www.santecfaucet.com | P: 310.542.0063 F: 310.542.5681

SPOUT INSTALLATION

- Wrap the pipe threading for the spout with teflon tape. Then, thread the spout onto the pipe until it is secured with the spout facing downward.

NOTE: The length of threaded pipe coming out from the finish wall should be no longer than 1/2".

WARNING: Do not use excessive force when threading the spout.



HANDLE INSTALLATION

- 1 Thread the bonnet nut, all thread, and insert the broach assembly onto the valve and lightly tighten assembly with a 1" plumber's socket Wrench.
- 2 Thread the escutcheon completely onto the all thread ensuring the broach properly engages the handle (orientation of the handle is not important at this point)
- 3 Measure the distance remaining between the handle base and wall, remove all trim items from the valve, and cut the excess distance from the end of the all thread and broach assembly.
- 4 Rethread the bonnet nut, all thread, and insert the broach assembly back onto the valve and snugly tighten the assembly with a 1" plumber's socket wrench.
- 5 Ensure the valve is in the closed position and align the handle to its respective "OFF" Position on the trim.
- 6 Thread the escutcheon on the handle onto the all thread and broach assembly ensuring the handle position remains in the closed position.

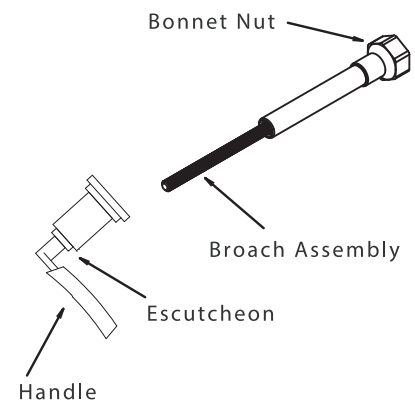
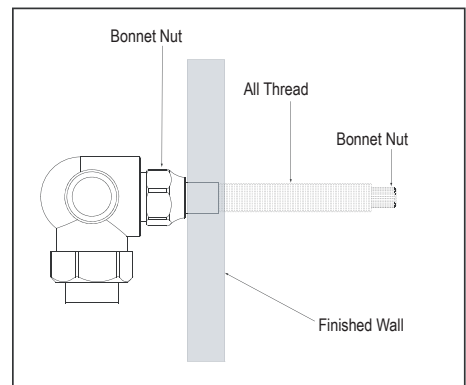


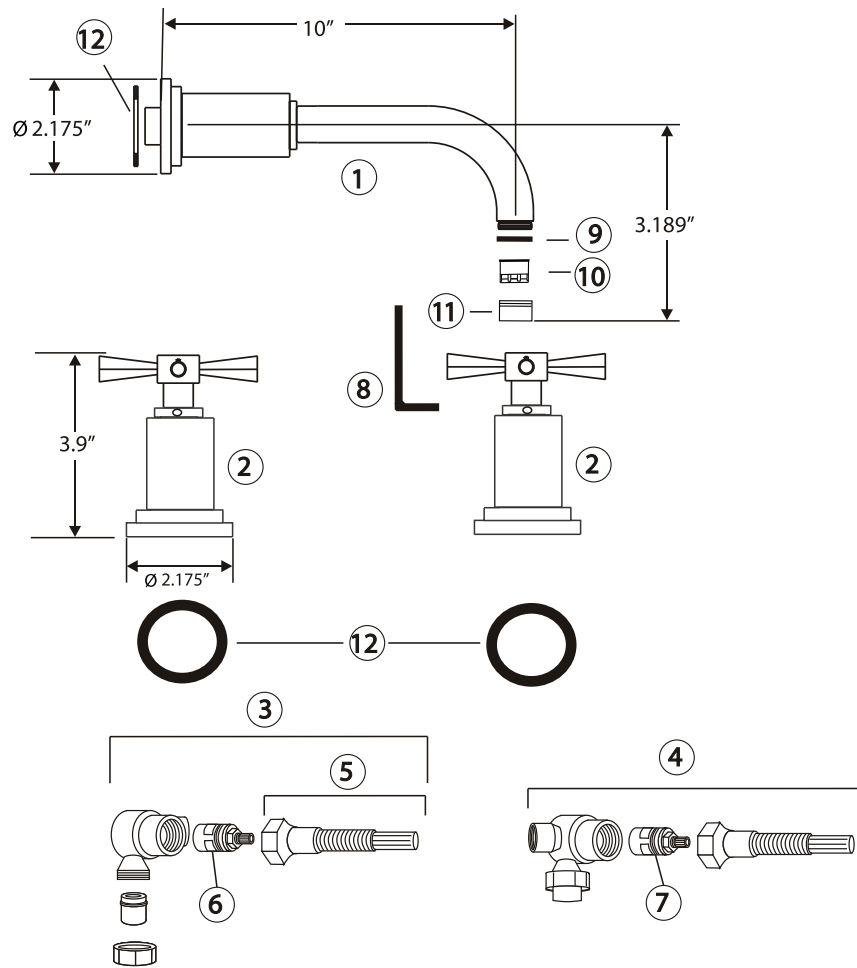
Diagram A



The measurements shown are for reference only. Products and specifications shown are subject to change without notice.

www.santecfaucet.com | P: 310.542.0063 F: 310.542.5681

PARTS DRAWING



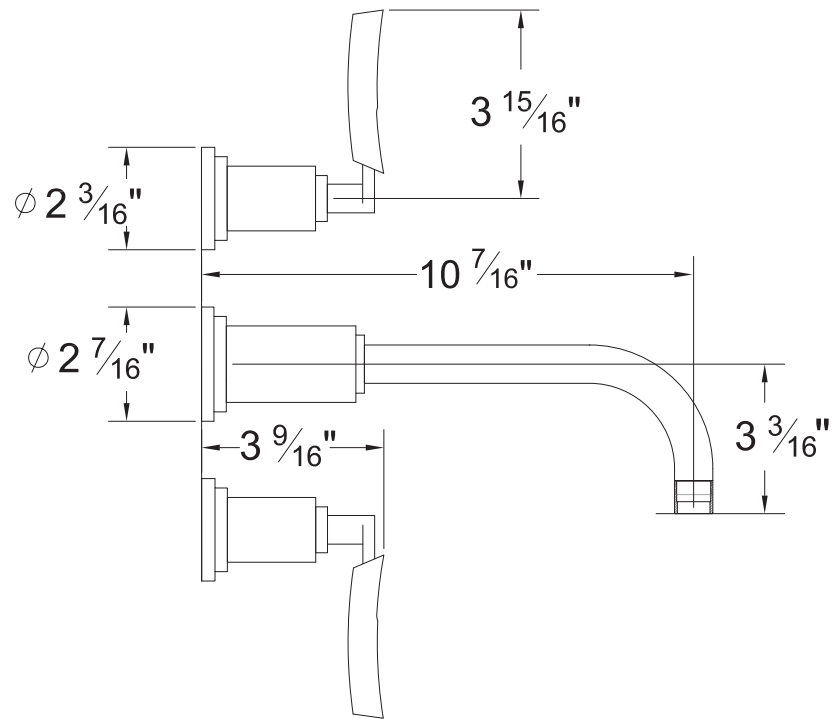
#	PART DESCRIPTION	PART #
1	Wall Mount Widespread Spout	PS-6DX00-U
2	Complete TX Cross Handle for Shower	00YY-TX
3	Complete Corner Valve - Left	SA-Corner-L
4	Complete Corner Valve - Right	SA-Corner-R
5	Regular Adaptin Kit for Shower	PM-3
6	Hot Cartridge for Left Corner Valve	P0418
7	Cold Cartridge for Left Corner Valve	P0419
8	Allen Key for Set Screws	PM-099
9	Aerator Washer	PM-510
10	Aerator Basket with Restrictor	PM-320
11	Aerator Housing	P0940-U
12	Rubber Washer Flange	PM-400

* Please specify the finish when ordering the part.

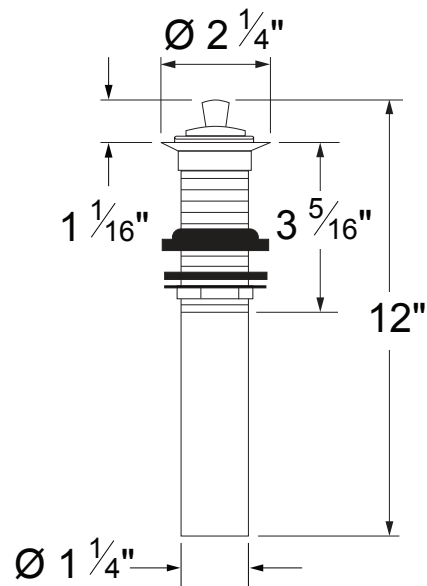
The measurements shown are for reference only. Products and specifications shown are subject to change without notice.

www.santecfaucet.com | P: 310.542.0063 F: 310.542.5681

SPECIFICATION SHEET



POP-UP



The measurements shown are for reference only. Products and specifications shown are subject to change without notice.

www.santecfaucet.com | P: 310.542.0063 F: 310.542.5681



FINISH CARE INFORMATION

WARNING: Do not clean your SANTEC product with ammonia (Window cleaner), bleach, soap, acids, abrasives, harsh polish, harsh cleaners, a coarse surfaced cloth, coarse sponge, or any type of scouring pad. Doing so may ruin your faucet finish and/or void the warranty.

Thank you for making SANTEC a part of your lifestyle and luxury spa experience. Our products have been created as works of enduring quality and sophisticated design.

Luxurious finishes need proper care and attention, so in order to understand how to properly clean your distinctive luxury finish, please refer to the finish care information below:

Your SANTEC product can be identified in one of two categories: clear coated finishes or non-clear coated finishes. Clear coated finishes are more scratch-sensitive and are more reactant to harsh cleaning chemicals than non-clear coated finishes. Once you have identified the specific luxury finish of your SANTEC product, please follow the important corresponding care instructions.

CLEAR COATED FINISHES

We recommend that all faucets, drains, etc., be gently wiped dry with a soft cloth after use to avoid water spotting and water deposit build-up. A mild liquid hand soap may be used occasionally if desired. Use of a non-abrasive carnauba wax will add protection to the finish and should be used if the faucets will not be dried after use. For clear coated finishes, it is recommended to clean your product weekly with a soft moist cloth.

NON-CLEAR COATED FINISHES

We recommend that all faucets, drains, etc., be gently wiped dry with a soft cloth after use to avoid water spotting and water deposit build-up. A mild liquid hand soap may be used occasionally if desired. Use of a non-abrasive carnauba wax is occasionally required and will add protection to the finish if the faucets will not be dried after use.

TO OBTAIN WARRANTY SERVICE

Please read 'WHAT IS COVERED BY OUR WARRANTY' and 'EXCLUSIONS AND LIMITATIONS OF WARRANTY' sections to understand what is and what is not covered. Please have ready the proof of purchase (original sales receipt), description of the problem, and carefully package the product or defective part with postage prepaid. Then, please contact your local SANTEC Showroom or write to SANTEC Technical Services.

The measurements shown are for reference only. Products and specifications shown are subject to change without notice.

www.santecfaucet.com | P: 310.542.0063 F: 310.542.5681



LIFETIME LIMITED WARRANTY

SANTEC is committed to enhancing your bathroom experience by creating luxury products that will provide enduring satisfaction. Every effort has been made to satisfy the highest standards of design and production, to create lasting peace of mind for our customers. We provide the following limited warranties on our products:

LENGTH OF WARRANTY & WHO IS COVERED BY OUR WARRANTY

This warranty extends to the original consumer purchaser only and extends for as long as the original purchaser owns the product and the home in which the product is installed.

WHAT IS COVERED BY OUR WARRANTY

1. **FINISHES:** SANTEC Polished Chrome, Polished Nickel and Satin Nickel finishes carry a Lifetime Limited warranty against manufacturing defects and tarnish to the original purchaser. All other finishes carry a ten (10) year limited warranty against manufacturing defects and tarnish to the original purchaser only.
2. **CARTRIDGES:** Santec cartridges carry a lifetime limited warranty, with the exception of thermostatic and pressure balanced cartridges, which carry a three (3) year limited warranty against manufacturing defects to the original purchaser.
3. **PARTS:** Santec parts carry a 10-year limited warranty against manufacturing defects, to the original purchaser.

EXCLUSIONS & LIMITATIONS OF WARRANTY

This warranty does not cover:

1. Damage due to negligence, accident, abuse, improper installation, or improper maintenance such as, but not limited to: heat from soldering during installation, the use of plumber's putty, damage from tools used during installation, the use or exposure to chemicals or cleaning products either abrasive or non-abrasive, or the use of any cleaning tool or product other than a soft, clean cloth. Reverse osmosis may also shorten the life of the finish.
2. Changes in the finish or in the product due to normal wear or aging does not cover any products or parts which have been altered or used in a manner not typical for the product.
3. Loss, damages, or expense, incidental or consequential whatsoever, originating from the purchase, installation, use, repair, failure, or replacement of any SANTEC product or part, allowed by law.
4. Commercial and/or Industrial installations and use of the product.
5. This warranty does not include labor, travel charges, or any costs incurred for repair, removal, installation, servicing, diagnosing, or handling of either defective or replacement parts.
6. Damage or deterioration caused by environmental impacts.

SANTEC reserves the product components of the covered product will be repaired, refinished, or replaced at the sole discretion of SANTEC. SANTEC reserves the right to examine any product claimed defective prior to any warranty claim being accepted or processed, at its sole discretion. This warranty gives you specific legal rights and you may have other rights which may vary from state to state.

The measurements shown are for reference only. Products and specifications shown are subject to change without notice.

www.santecfaucet.com | P: 310.542.0063 F: 310.542.5681