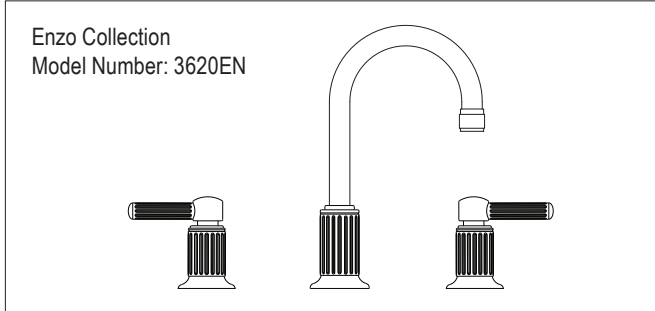


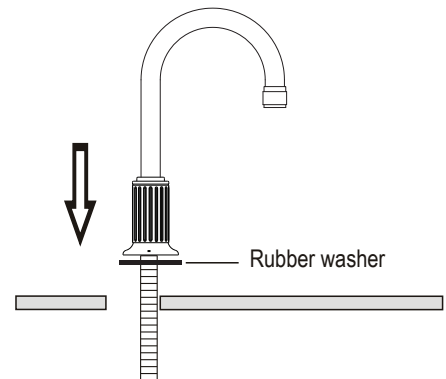
*Please read the instructions completely before beginning the installation.*



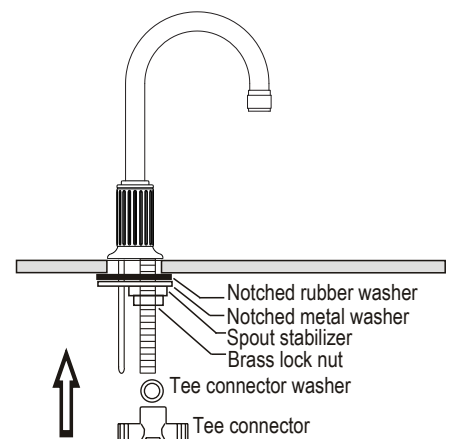
Flush both supply lines before installation, then shut off both supply lines.  
 Minimum hole size for the spout and handle trim is 1-1/4" and maximum of 1-1/2"

## SPOUT INSTALLATION

- 1** - Remove the tee connector, spout mounting hardware and tee connector washer from the bottom of the spout assembly. Apply a ring of silicon caulking around the center hole on the top of the sink. Do not use plumbers' putty which can damage the finish of the faucet.
  - From the top of the deck, insert the spout's threaded shank through the center hole of the sink. Make sure the spout flange washer is properly placed underneath of the flange and gently pressed against the sink top.



- 2** - Slip the spout mounting hardware back onto the spout. First the notched rubber washer, then the notched metal washer and lastly the brass lock nut. Hand tighten the lock nut.
  - Place the pop-up lift rod with the knob through the back hole in the spout and rotate the notched washers until the lift rod passes through the notch.
  - Tighten the lock nut. Make sure the lift rod operates smoothly. Adjust it if necessary.
  - Place the tee connector washer into the tee connector and thread the tee connector onto the end of the spout shank. Tighten to seal.
  - Align the spout and tighten the shank lock nut firmly.



The measurements shown are for reference only. Products and specifications shown are subject to change without notice.

www.santecfaucet.com | P: 310.542.0063 F: 310.542.5681

## HANDLE TRIM INSTALLATION

### DO NOT DISASSEMBLE HANDLE ASSEMBLY - DROP-IN VALVES

**1** - Both hot and cold side handle trims are pre-assembled for faster installation.

- For proper handle turning direction, install the handle with the “cold” blue label at the right side of the spout (looking from the front) and the handle with “hot” red label at the left side of the spout.

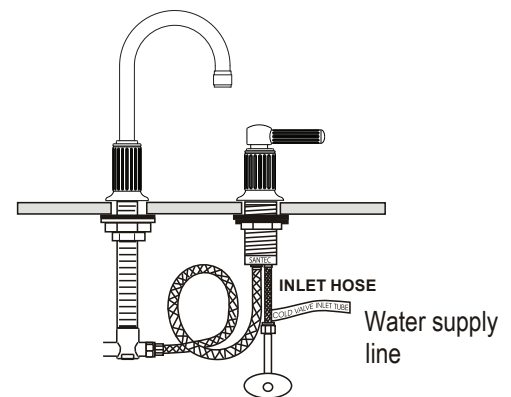
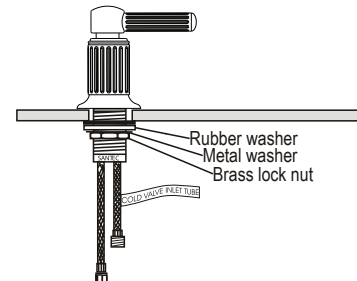
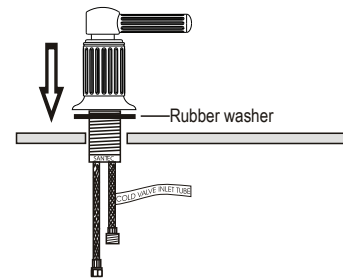
- Remove the valve body mounting hardware from the valve body. Slip the valve body’s flexible hoses from the top of the sink or counter through the appropriate hole next to the spout. Make sure the handle flange washer is properly placed underneath of the flange and gently pressed against the sink top. Aim the tee connecting hoses toward the tee connector.

**2** - From beneath of the basin or counter, screw the valve body mounting hardware back to the valve body. First the rubber washer, then the nylon washer and lastly the brass lock nut.

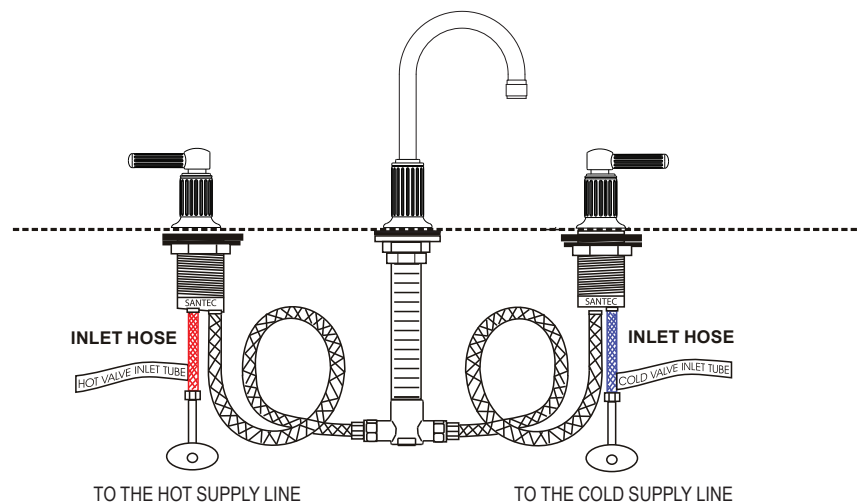
- Align the handle lever or cross handle properly against the spout. Tighten the lock nut until it secures the valve body firmly.

**3** - connect the flexible hoses to the tee. Tighten to avoid the leakage.

- Connect and tighten the Inlet hoses to the supply lines.  
- After the connections have been made, turn on the water supply and check for leakages at all joints. If water leaks from any of the connections tighten the connection until the leakage stops.  
- If no leakage, turn the handles to the full open position and let the water flush for about 45 seconds. This can prevent damages to the ceramic cartridges caused by debris in the supply line.  
- During the flushing, check for leakage at the connecting joints and repeat step 3 if necessary.



## COMPLETE ASSEMBLY



The measurements shown are for reference only. Products and specifications shown are subject to change without notice.

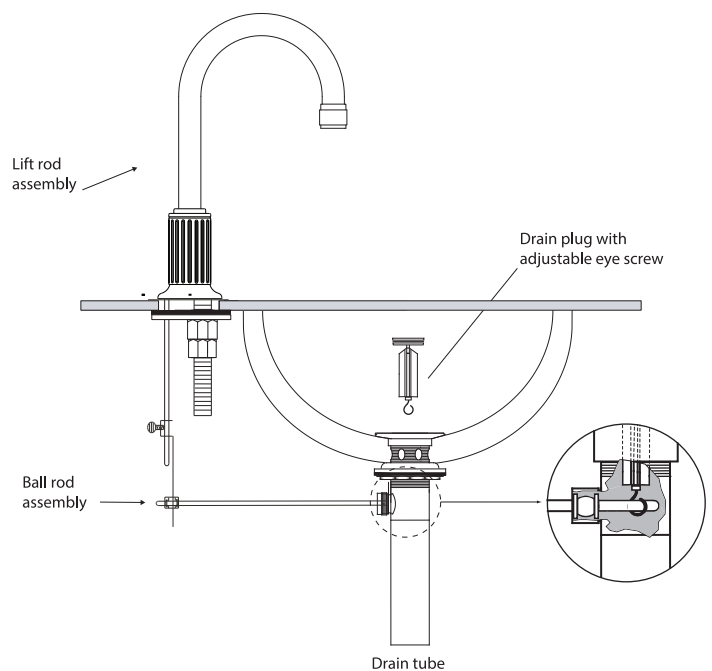
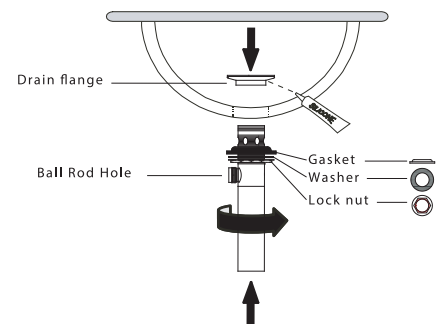
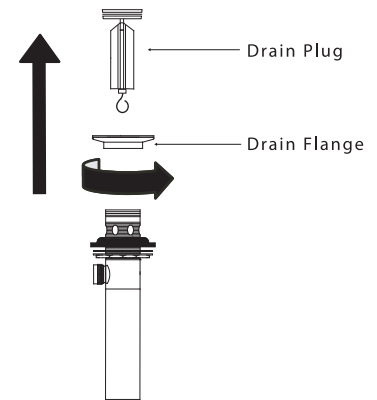
www.santecfaucet.com | P: 310.542.0063 F: 310.542.5681

## POP-UP INSTALLATION

- 1 Remove the decorative drain flange, drain plug and gasket from pop-up assembly. Do not remove the washer and lock nut.
- 2 Place the flange gasket onto the drain tube beveled side upward and on top of the washer. Apply a ring of silicon caulking around the top of sink drain opening. Do not use plumbers' putty.
- 3 Insert the threaded end of the assembly up from the under the sink so that the top of the drain tube is through the drain opening. Make sure the bottom of the drain tube is in the p-trap.
- 4 Completely thread the drain flange onto the top of the drain tube. Hand tighten the locknut from under the sink.
- 5 Position the drain tube so the side hole in the pop-up faces you. Place the drain plug into the drain tube so its bottom hole is in line with the side hole of the drain tube. Place the short end of the ball rod into the side hole of the drain tube and through the hole in the drain plug and tighten the ball rod nut so the ball rod moves freely.  
NOTE: Do not over tighten.

- 6 Rotate the pop-up so the ball rod faces the back wall and tighten the lock nut giving it an extra 1/4 turn. Hand tighten the nut at the connection with P-trap. Test the rod and pop-up plug by pushing the ball rod up and down to see if it raises and lowers the pop-up. If not reinstall the ball rod.

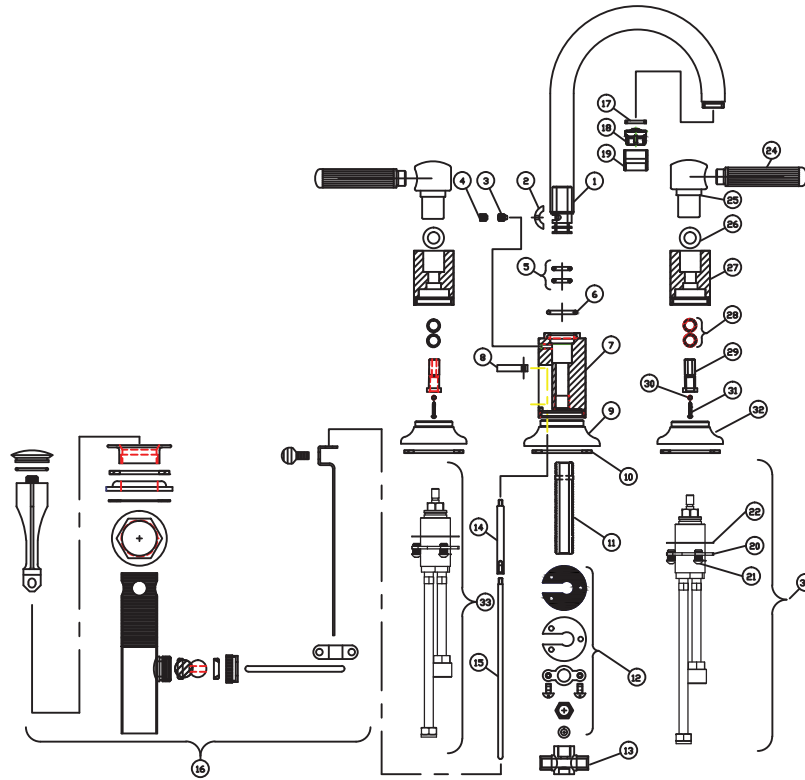
- 7 Slip your faucet's pop-up lift rod through the holes at the top of the lift rod strap and hand tighten the thumb screw. Push the ball rod down so the drain plug is in the up position. Slip the one leg of the ball rod clip onto the ball rod and then slide the lift rod strap onto the ball rod using the nearest hole. Then slide the second leg of the clip onto the rod. Test the pop-up for smooth operation and adjust the strap if necessary.



The measurements shown are for reference only. Products and specifications shown are subject to change without notice.

www.santecfaucet.com | P: 310.542.0063 F: 310.542.5681

# PARTS DRAWING



#	PART DESCRIPTION	PART #
1	Faucet Spout Sub-Assembly	PS-2D700XA
2	Moon-Shape Insert	PM-841
3	Shoulder Set-Screw	PM-842
4	Locking Set-Screw (#2)	PM-843
5	"O"-Ring, Spout Adapter	PM-879
6	"O"-Ring, Spout / Base	PM-880
7	Spout Base	P0834
8	Lift Knob	P0266
9	Flange	PH2721
10	Rubber Washer	PM-400
11	Dry Tee Shank 1/2" Threads Extension	K-2500-1
12	Spout Mounting Hardware Pack	P0431
13	T-Connector	P0427
14	Lift Rod Extension	P02641
15	Lift Rod	P0264
16	Pop-Up Drain Assembly	P0202
17	Aerator Washer Seal	PM-510
18	Aerator Basket Assembly	PM-1069
19	Aerator Housing	P0838-U
20	New Hexagonal Nut	PM-607

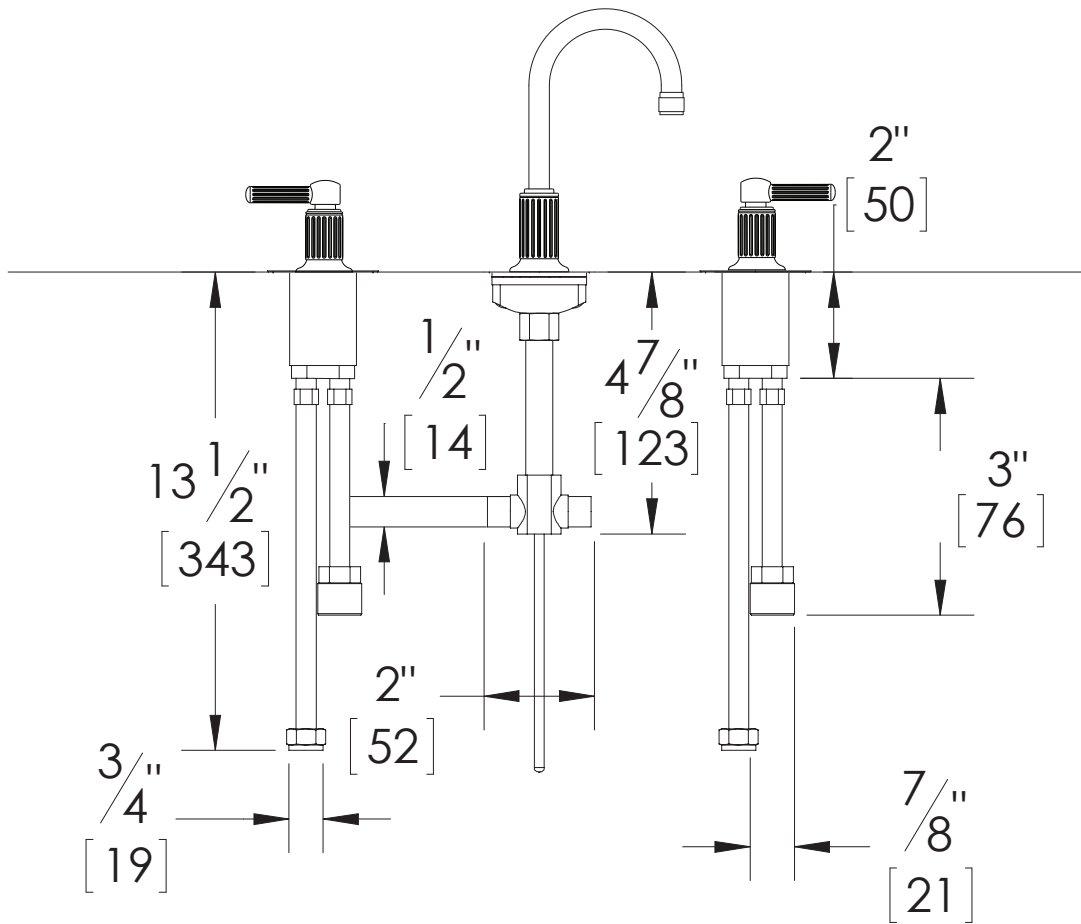
#	PART DESCRIPTION	PART #
21	Screw for Hex Plate	PM-617
22	Red Fiber Washer for Valves	PM-332
23		
24	Lever Enzo	PH2723
25	Lever Hub Enzo	PH2722
26	Teflon Washer	PM-095
27	Body Base	PH2417
28	Teflon Stem Washer	PM-099
29	Valve Cartage Extension	SA240
30	Lock Washer	PM-184
31	Screw	PM-181
32	Flange	PH2724
33	"Hot" Valve Sub-Assembly	P0466
34	"Cold" Valve Sub-Assembly	P0467

\* Please specify the finish when ordering the part.

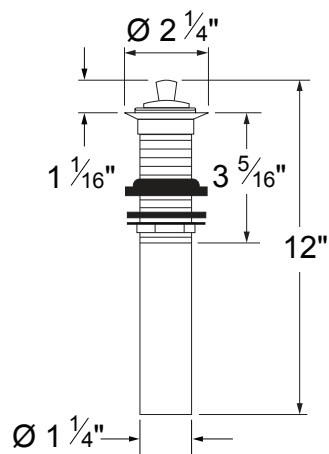
The measurements shown are for reference only. Products and specifications shown are subject to change without notice.

www.santecfaucet.com | P: 310.542.0063 F: 310.542.5681

**SPECIFICATION SHEETS**



**POP-UP**



The measurements shown are for reference only. Products and specifications shown are subject to change without notice.  
[www.santecfaucet.com](http://www.santecfaucet.com) | P: 310.542.0063 F: 310.542.5681



## FINISH CARE INFORMATION

**WARNING:** Do not clean your SANTEC product with ammonia (Window cleaner), bleach, soap, acids, abrasives, harsh polish, harsh cleaners, a coarse surfaced cloth, coarse sponge, or any type of scouring pad. Doing so may ruin your faucet finish and/or void the warranty.

Thank you for making SANTEC a part of your lifestyle and luxury spa experience. Our products have been created as works of enduring quality and sophisticated design.

Luxurious finishes need proper care and attention, so in order to understand how to properly clean your distinctive luxury finish, please refer to the finish care information below:

Your SANTEC product can be identified in one of two categories: clear coated finishes or non-clear coated finishes. Clear coated finishes are more scratch-sensitive and are more reactant to harsh cleaning chemicals than non-clear coated finishes. Once you have identified the specific luxury finish of your SANTEC product, please follow the important corresponding care instructions.

## CLEAR COATED FINISHES

We recommend that all faucets, drains, etc., be gently wiped dry with a soft cloth after use to avoid water spotting and water deposit build-up. A mild liquid hand soap may be used occasionally if desired. Use of a non-abrasive carnauba wax will add protection to the finish and should be used if the faucets will not be dried after use. For clear coated finishes, it is recommended to clean your product weekly with a soft moist cloth.

## NON-CLEAR COATED FINISHES

We recommend that all faucets, drains, etc., be gently wiped dry with a soft cloth after use to avoid water spotting and water deposit build-up. A mild liquid hand soap may be used occasionally if desired. Use of a non-abrasive carnauba wax is occasionally required and will add protection to the finish if the faucets will not be dried after use.

## TO OBTAIN WARRANTY SERVICE

Please read 'WHAT IS COVERED BY OUR WARRANTY' and 'EXCLUSIONS AND LIMITATIONS OF WARRANTY' sections to understand what is and what is not covered. Please have ready the proof of purchase (original sales receipt), description of the problem, and carefully package the product or defective part with postage prepaid. Then, please contact your local SANTEC Showroom or write to SANTEC Technical Services.

---

The measurements shown are for reference only. Products and specifications shown are subject to change without notice.

[www.santecfaucet.com](http://www.santecfaucet.com) | P: 310.542.0063 F: 310.542.5681



## LIFETIME LIMITED WARRANTY

SANTEC is committed to enhancing your bathroom experience by creating luxury products that will provide enduring satisfaction. Every effort has been made to satisfy the highest standards of design and production, to create lasting peace of mind for our customers. We provide the following limited warranties on our products:

## LENGTH OF WARRANTY & WHO IS COVERED BY OUR WARRANTY

This warranty extends to the original consumer purchaser only and extends for as long as the original purchaser owns the product and the home in which the product is installed.

## WHAT IS COVERED BY OUR WARRANTY

1. **FINISHES:** SANTEC Polished Chrome, Polished Nickel and Satin Nickel finishes carry a Lifetime Limited warranty against manufacturing defects and tarnish to the original purchaser. All other finishes carry a ten (10) year limited warranty against manufacturing defects and tarnish to the original purchaser only.
2. **CARTRIDGES:** Santec cartridges carry a lifetime limited warranty, with the exception of thermostatic and pressure balanced cartridges, which carry a three (3) year limited warranty against manufacturing defects to the original purchaser.
3. **PARTS:** Santec parts carry a 10-year limited warranty against manufacturing defects, to the original purchaser.

## EXCLUSIONS & LIMITATIONS OF WARRANTY

This warranty does not cover:

1. Damage due to negligence, accident, abuse, improper installation, or improper maintenance such as, but not limited to: heat from soldering during installation, the use of plumber's putty, damage from tools used during installation, the use or exposure to chemicals or cleaning products either abrasive or non-abrasive, or the use of any cleaning tool or product other than a soft, clean cloth. Reverse osmosis may also shorten the life of the finish.
2. Changes in the finish or in the product due to normal wear or aging does not cover any products or parts which have been altered or used in a manner not typical for the product.
3. Loss, damages, or expense, incidental or consequential whatsoever, originating from the purchase, installation, use, repair, failure, or replacement of any SANTEC product or part, allowed by law.
4. Commercial and/or Industrial installations and use of the product.
5. This warranty does not include labor, travel charges, or any costs incurred for repair, removal, installation, servicing, diagnosing, or handling of either defective or replacement parts.
6. Damage or deterioration caused by environmental impacts.

SANTEC reserves the product components of the covered product will be repaired, refinished, or replaced at the sole discretion of SANTEC. SANTEC reserves the right to examine any product claimed defective prior to any warranty claim being accepted or processed, at its sole discretion. This warranty gives you specific legal rights and you may have other rights which may vary from state to state.

---

The measurements shown are for reference only. Products and specifications shown are subject to change without notice.

www.santecfaucet.com | P: 310.542.0063 F: 310.542.5681