

SANTEC

FLUID IMAGINATION

DESIGNER SERIES

WIDESPREAD



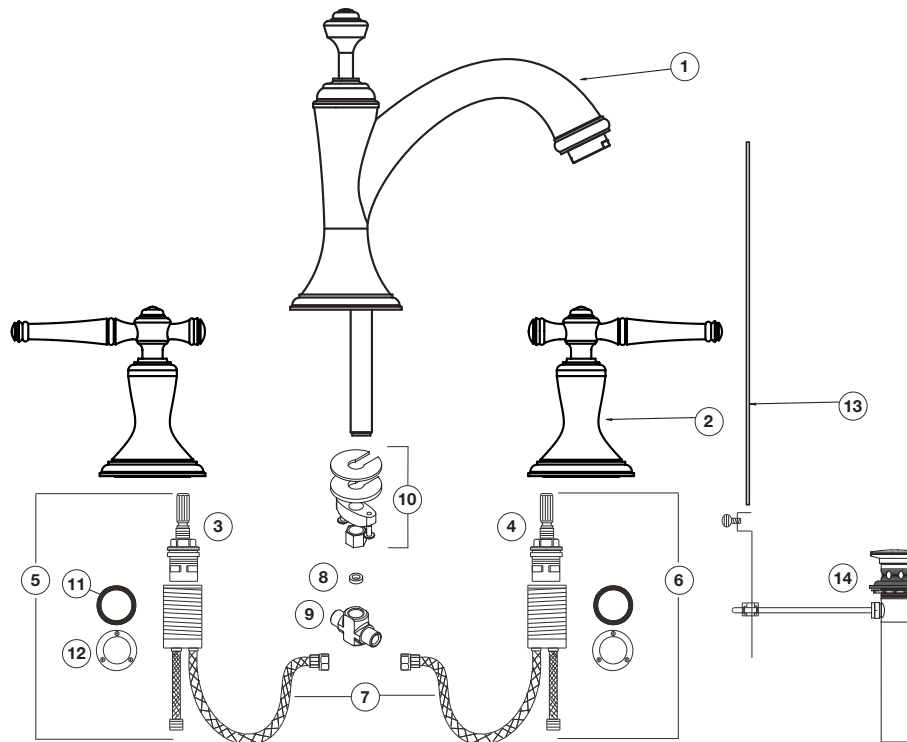
KEEP THIS INSTRUCTION BOOKLET FOR FUTURE REFERENCE

Important : Please register your product online at www.santecfaucet.com within 30 days of purchase. Santec reserves the right to request additional documents before servicing warranty requests.

SANTEC has the right to make necessary design changes where applicable.

*Illustration may not depict actual products

Parts Breakdown



#	PART DESCRIPTION	PART #
1	Complete Spout Assembly *	PS - 2 __ 00-U**
2	Complete Handle Assembly *	YY - __ **
3	Hot Cartridge Only	P0418
4	Cold Cartridge Only	P0419
5	Complete Hot Valve	P0466
6	Complete Cold Valve	P0467
7	Flexible Hoses	P0441
8	Washer for Tee Connector	PM-074
9	Tee Connector	P0427
10	Spout Mounting Hardware	P0431
11	Fiber Washer	PM-332
12	Hexagonal Nut Screws for Hexagonal Nut	PM-607 PM-617
13	Lift Rod*	P0264
14	Complete Pop-Up *	VP0202-1 VP0202-2 VP0202-3 VP0202-X

* Please specify the finish when ordering the part.

** Please specify option code when ordering the part.

Spout

Flush both supply lines before installation. After flushing, shut off both supply lines.

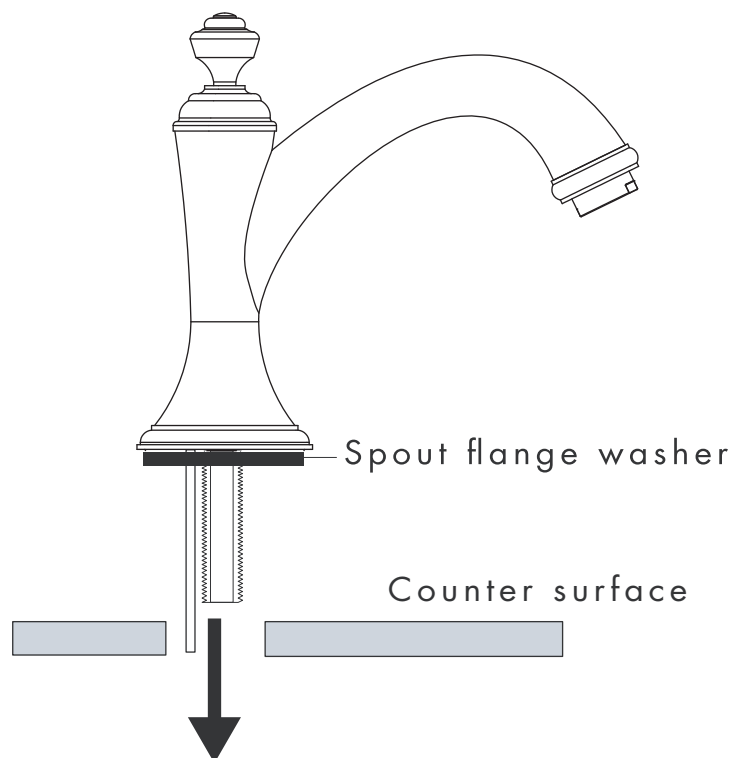
Hole size for the spout and handle trim is 1-1/4"

Spout Installation (1)

Remove tee connector and spout mounting hardware from the spout.

Apply a ring of silicone caulking around hole designated for the spout. Do not use plumber's putty which can damage the finish of your faucet.

From the top of the sink or counter, insert the spout's threaded shank through the center hole of the sink. Make sure the spout flange washer is properly placed underneath the flange and press snugly against the sink top. Wipe away excess silicone with a wet finger or damp cloth.

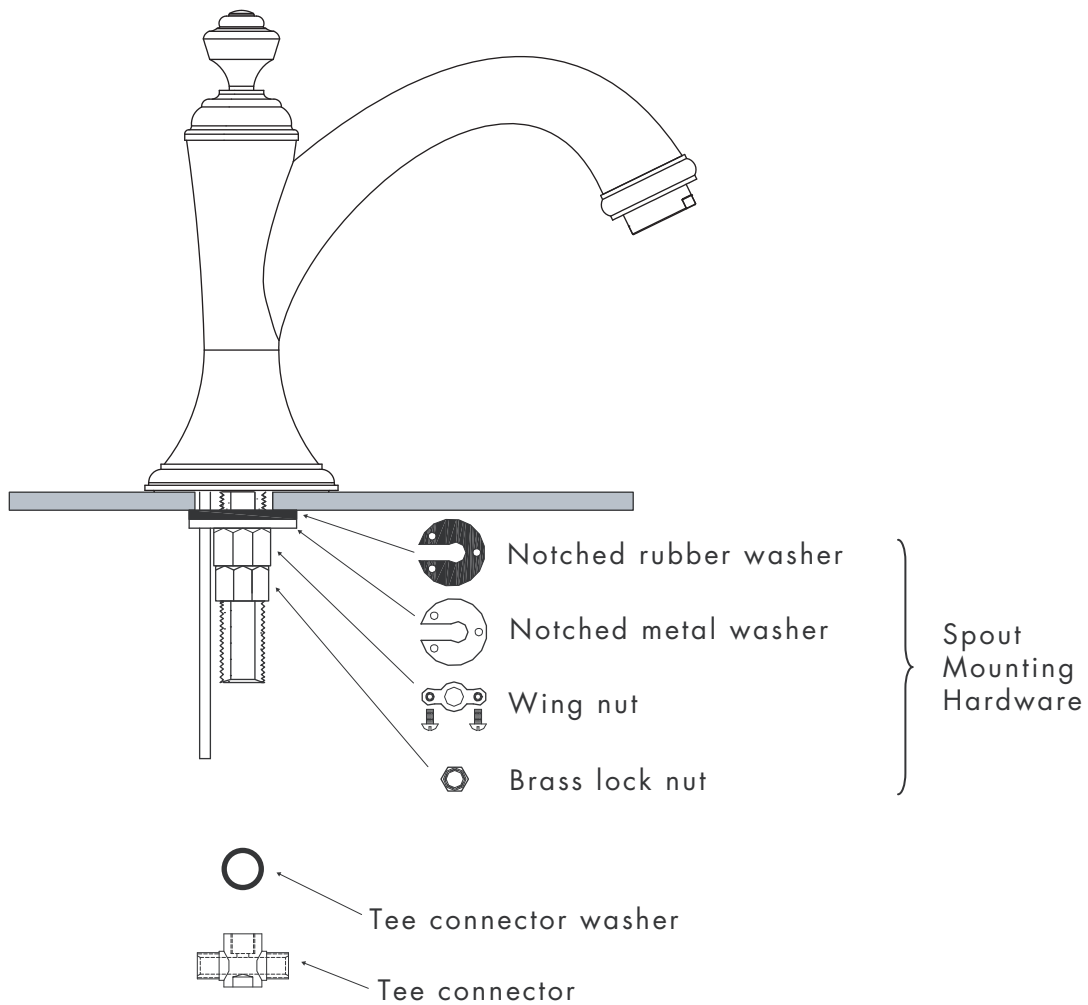


*Illustration may not depict actual products

Spout

Spout Installation (2)

From below, slip notched washer and gasket over spout shank. Align notched washer and gasket to allow pop-up rod to pass through. Attach wing nut and brass lock nut. Secure spout by tightening the two screws on the wing nut. Thread tee connector and washer to the spout shank and tighten to seal.



*Illustration may not depict actual products

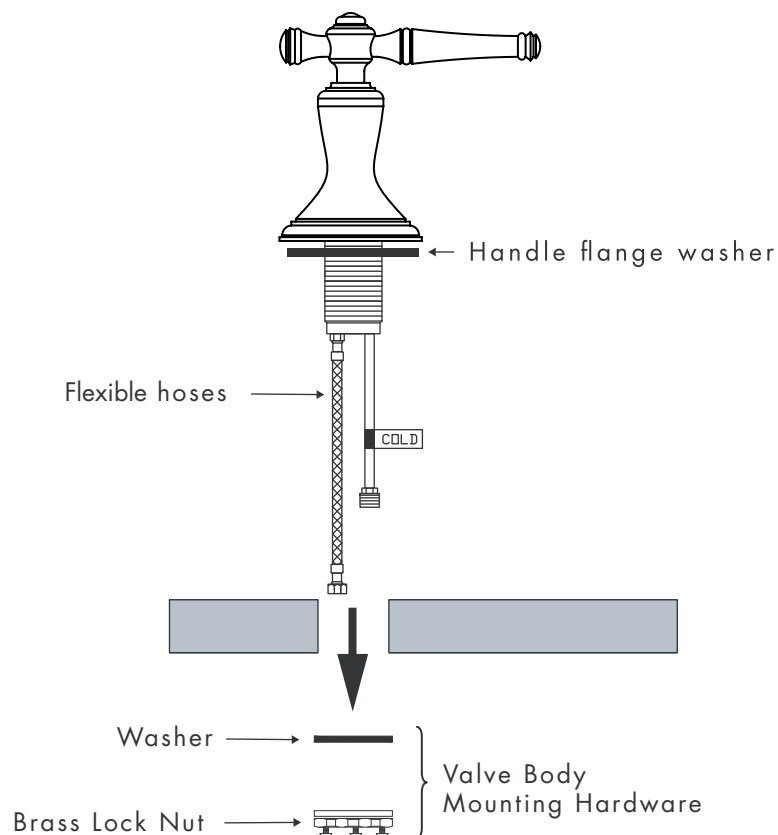
Handle Trim

For proper handle turning direction, install the handle with the COLD (blue label) at the right side of sink and the handle with the HOT (red label) at the left side of the sink.

Handle trim is ready for drop-in installation.
DO NOT DISSASSEMBLE HANDLE TRIM FROM VALVE BODY.

Handle Trim Installation (1)

Remove the valve body mounting hardware from the valve body. Slip the valve body's flexible hoses from the top of the sink or counter through the appropriate hole next to the spout (HOT-left & COLD-right). Make sure the handle flange washer is properly placed underneath the flange and gently press against the sink top.



*Illustration may not depict actual products

Handle Trim

Handle Trim Installation (2)

From underneath the sink or counter, screw the valve body mounting hardware pieces back onto the valve body. First the washer, then the brass lock nut.

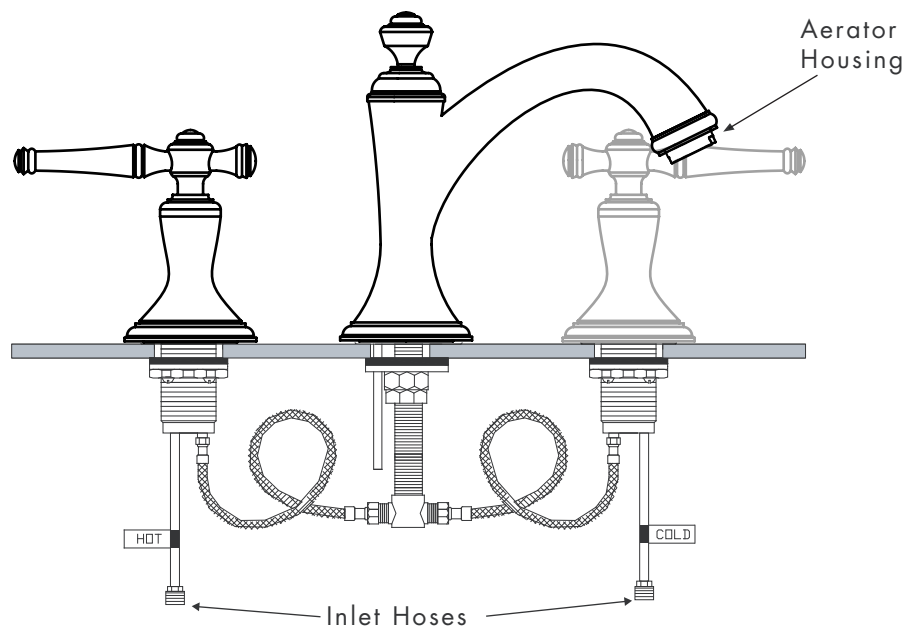
Align the levers or cross handles properly against the spout. Tighten the brass lock nut with a plumber's wrench until it secures the valve body firmly. Next, tighten the three screws on the brass lock nut with a screwdriver.

Connect the flexible hoses to the tee connector. Tighten to avoid leakage.

Connect and tighten the inlet hoses to the supply lines.

After the connections have been made, remove the aerator housing by unscrewing it counter-clockwise. Turn on the water supply at the valves beneath the sink or counter and check for leakages at all joints. If water leaks from any of the connections, tighten the connection until the leakage stops.

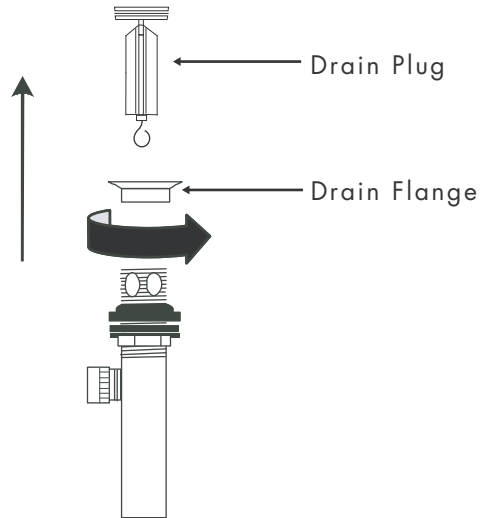
If no leakage is present, slowly turn the handles to the full open position and let the water flush for approximately 45 seconds. This can prevent damages to the ceramic cartridges caused by debris in the supply lines.



Pop Up Drain

Pop Up Drain Installation (1)

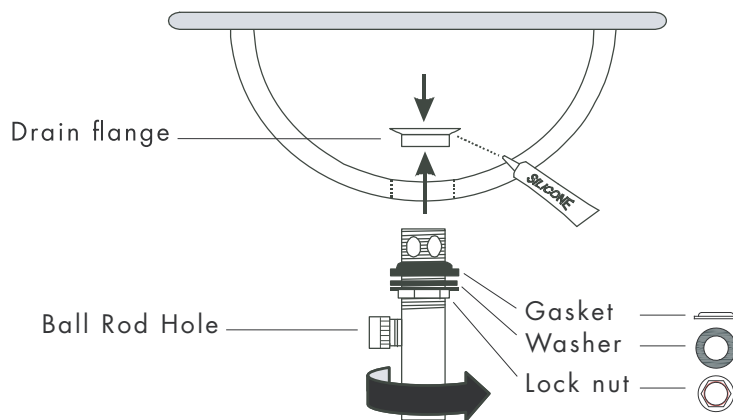
Remove drain flange and drain plug from pop-up assembly.



Apply a ring of silicone caulking to underside of drain flange. Do not use plumber's putty which can damage the finish.

Insert threaded end of the assembly up from beneath the sink.

Completely thread the drain body into drain flange and align with ball rod hole facing toward the back of the sink. Then, tighten the lock nut from below. Clean excess silicone with a wet finger or damp cloth.



Pop Up Drain

Pop Up Drain Installation (2)

Insert the drain plug into the drain flange. Make sure the adjustable eye-screw of the drain plug is facing the wall so that the ball rod will properly fit into it.

Insert the ball rod washer into drain body followed by the ball rod, 2nd washer, and ball rod nut. Tighten the ball rod nut until snug.

Gently push the horizontal ball rod down to place the plunger in the up position.

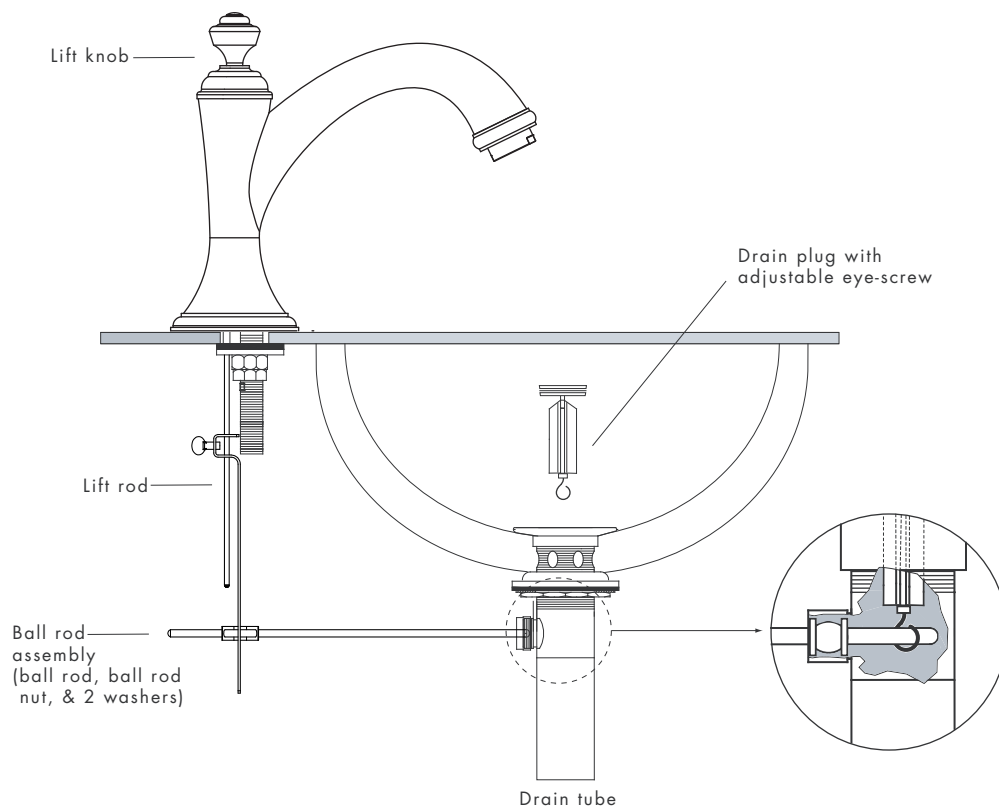
Insert the lift knob into the back of the spout and (from underneath) screw the lift rod onto the lift knob securely (if applicable).

Slide the lift rod and knob through the lift rod strap and tighten thumb screw.

Gently push the horizontal ball rod down to place the drain plug in the up position.

Slip one leg of ball rod clip off horizontal rod and insert lift rod strap, reattach leg of ball rod clip.

Test pop-up for smooth operation and adjust if necessary.





LIFETIME LIMITED WARRANTY

SANTEC is committed to enhancing your bathroom experience by creating luxury products that will provide enduring satisfaction. Every effort has been made to satisfy the highest standards of design and production to create lasting peace of mind for our customers. Proof of purchase must be provided for all warranty claims, SANTEC provides the following limited warranties on our product.

LENGTH OF WARRANTY & WHO IS COVERED BY OUR WARRANTY

This warranty only extends to the original consumer purchaser.

WHAT IS COVERED BY OUR WARRANTY

1. **Finishes:** SANTEC Polished Chrome, Polished Nickel and Satin Nickel finishes carry a Lifetime Limited warranty against manufacturing defects and tarnish to the original purchaser. Custom finishes carry a ten (10) years limited warranty against manufacturing defects and tarnish to the original purchaser only. Kitchen products carry a three (3) year limited warranty.
2. **Cartridges:** Santec cartridges carry a lifetime limited warranty, with the exception of thermostatic and pressure balanced cartridges, which carry a three (3) year limited warranty against manufacturing defects to the original purchaser.
3. **Parts:** Santec parts carry a ten (10) year limited warranty against manufacturing defects, to the original purchaser. Kitchen products carry a five (5) year limited warranty.

EXCLUSIONS AND LIMITATIONS OF WARRANTY

This warranty does not cover:

1. **Drains**
2. **Crystals and/or glass**
3. Damage due to negligence, accident, abuse, improper installation, or improper maintenance such as, but not limited to: heat from soldering during installation, the use of plumber's putty, damage from tools used during installation, the use or exposure to chemicals or cleaning products either abrasive or non-abrasive, or the use of any cleaning tool or product other than a soft, clean cloth. Reverse osmosis may also shorten the life of the finish.
4. Changes in the finish or in the product due to normal wear or aging does not cover any products or parts which have been altered or used in a manner not typical for the product.
5. Loss, damages, or expense, incidental or consequential whatsoever, originating from the purchase, installation, use, repair, failure, or replacement of any SANTEC product or part, allowed by law.
6. Commercial and/or Industrial installations and use of the product.
7. This warranty does not include labor, travel charges, or any costs incurred for repair, removal, installation, servicing, diagnosing, or handling of either defective or replacement parts. Changes in the finish or in the product due to normal wear or aging does not cover any products or parts
8. Access should be provided to the roman tub valves for future service or repair to valves and piping. Under no circumstances will Santec Faucet, Inc. be liable for any costs associated with the removal of materials for future access to the tub valves or piping for service or repair.
- 9.

This warranty does not cover: damage due to negligence, accident, abuse, improper installation, or improper maintenance such as, (but not limited to): heat from soldering during installation, the use of plumbers putty, damage from tools used during installation, the use or exposure to chemical or cleaning products, abrasive or non-abrasive, or the use of any cleaning tool or product other than a soft, clean cloth. **This warranty does not cover: changes in the finish or in the product due to normal wear or again and does not cover any product or parts which have been altered or used in a manner not typical for the product.** Santec will not be held liable for damage to products caused by the freight carrier, any such claims should be made immediately with the freight carrier. This warranty does not cover any cost involved in the installation, repair, or replacement of any SANTEC product or parts. This warranty does not cover and SANTEC will not be held liable for any loss, damages, or expenses, incidental or consequential whatsoever, originating from the purchase, installation, use, repair, failure, or replacement of any SANTEC product or part, as allowed by law. The product of components of the covered product will either be repaired, refinished or replaced at the sole discretion of SANTEC. SANTEC reserves the right to examine any product claimed defective prior to any warranty claim being accepted or processed, at its sole discretion. This warranty gives you specific legal rights and you may have other rights which may vary from state to state.

Effective: 05/01/2015



FINISH CARE INFORMATION

WARNING: Do not clean your SANTEC product with ammonia (window cleaner), bleach, soaps, acids, abrasives, harsh polishes, harsh cleaners, a coarse surfaced cloth, coarse sponge, or any type of scouring pad. Doing so may ruin your faucet finish and/or void the warranty.

Thank you for making SANTEC a part of your lifestyle and luxury spa experience. Our products have been created as works of enduring quality and sophisticated design. Luxurious finishes need proper care and attention, so in order to understand how to properly clean your distinctive luxury finish, please refer to the finish care information below:

Your SANTEC product can be identified in one of two categories: clear coated finishes or non-clear coated finishes. Clear coated finishes are more scratch-sensitive and are more reactant to harsh cleaning chemicals than non-clear coated finishes. Once you have identified the specific luxury finish of your SANTEC product, please follow the important corresponding care instructions.

Living finishes are unique, are intended to change over time and are excluded from the finish warranty. Any product outdoors or in a marine environment are excluded from the finish warranty.

CLEAR COATED FINISHES

Clear Coated Finishes are as Follows:

We recommend that all faucets, drains, etc., be gently wiped dry with a soft cloth after use to avoid water spotting and water deposit build-up. A mild liquid hand soap may be used occasionally if desired. Use of a non-abrasive carnauba wax will add protection to the finish and should be used if the faucets will not be dried after use. Santec Orobrass kitchen products are clear coated. For clear coated finishes, it is recommended to clean your product weekly with a soft moist cloth.

NON-CLEAR COATED FINISHES

We recommend that all faucets, drains, etc., be gently wiped dry with a soft cloth after use to avoid water spotting and water deposit build-up. A mild liquid hand soap may be used occasionally if desired. Use of a non-abrasive carnauba wax is occasionally required and will add protection to the finish if the faucets will not be dried after use.

TO OBTAIN WARRANTY SERVICE

Please read 'WHAT IS COVERED BY OUR WARRANTY' and 'EXCLUSIONS AND LIMITATIONS OF WARRANTY' sections to understand what is and what is not covered. Please have ready the proof of purchase (original sales receipt), description of the problem, and carefully package the product or defective part with postage prepaid. Then, please contact your local SANTEC Showroom or write to SANTEC Technical Services.