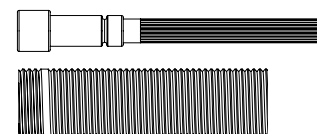
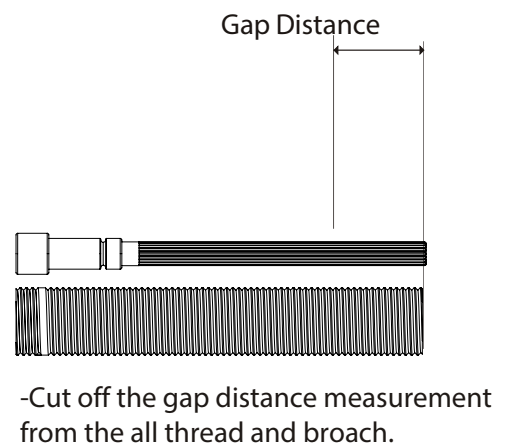
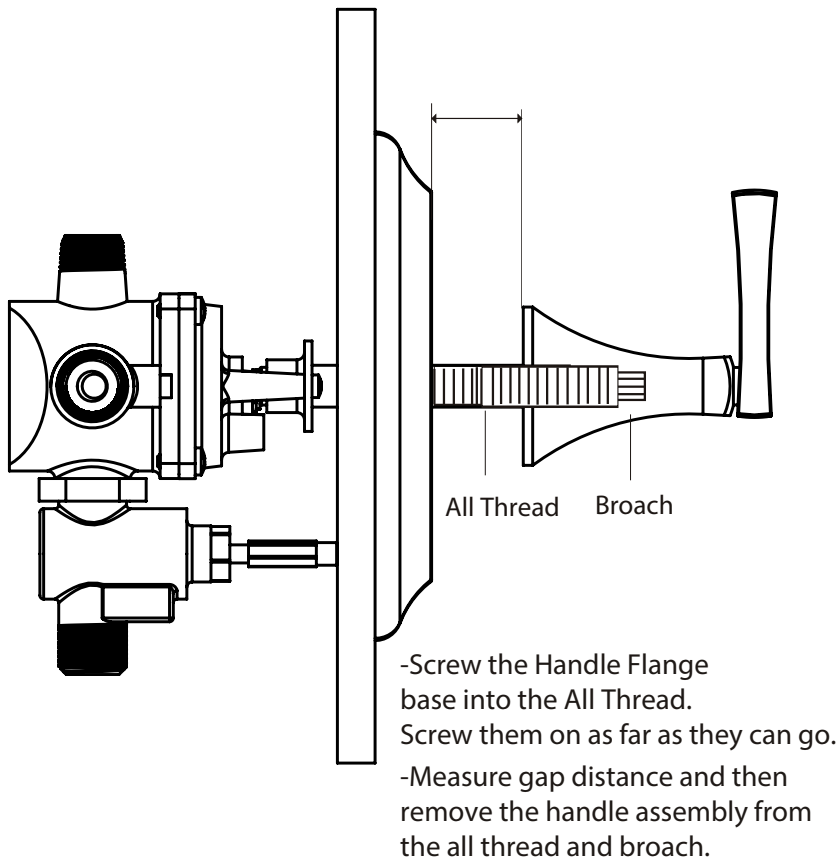
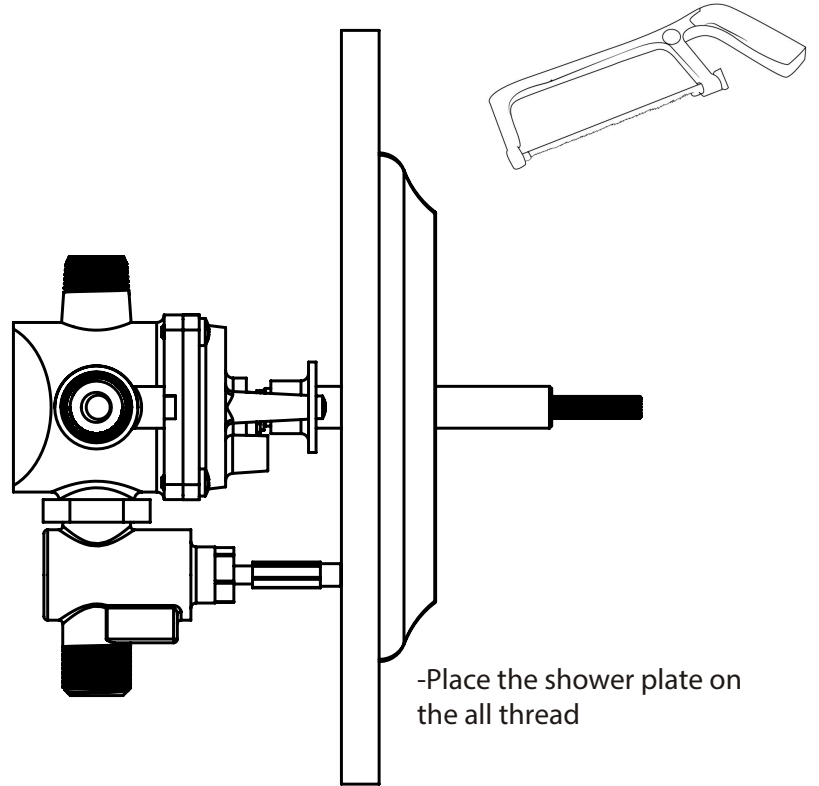
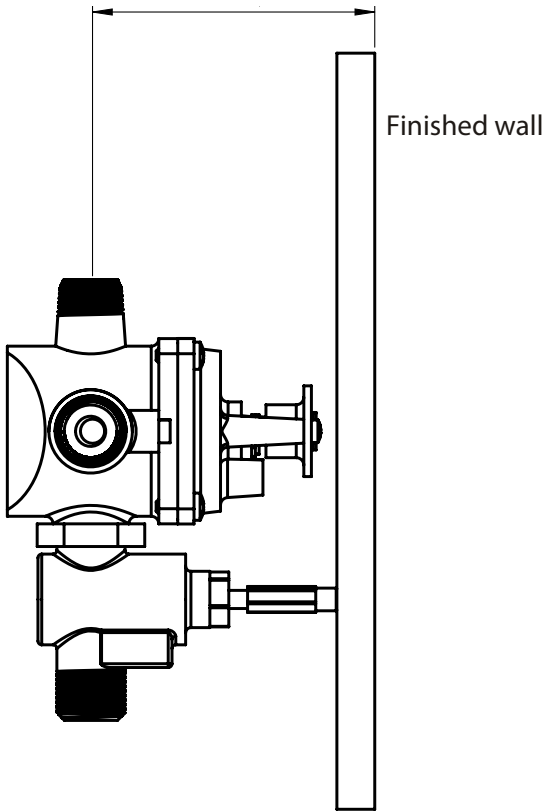


500-



NOTE: Always cut the All Thread at least 3/8" smaller than Broach to allow the Broach to attach to handle.