

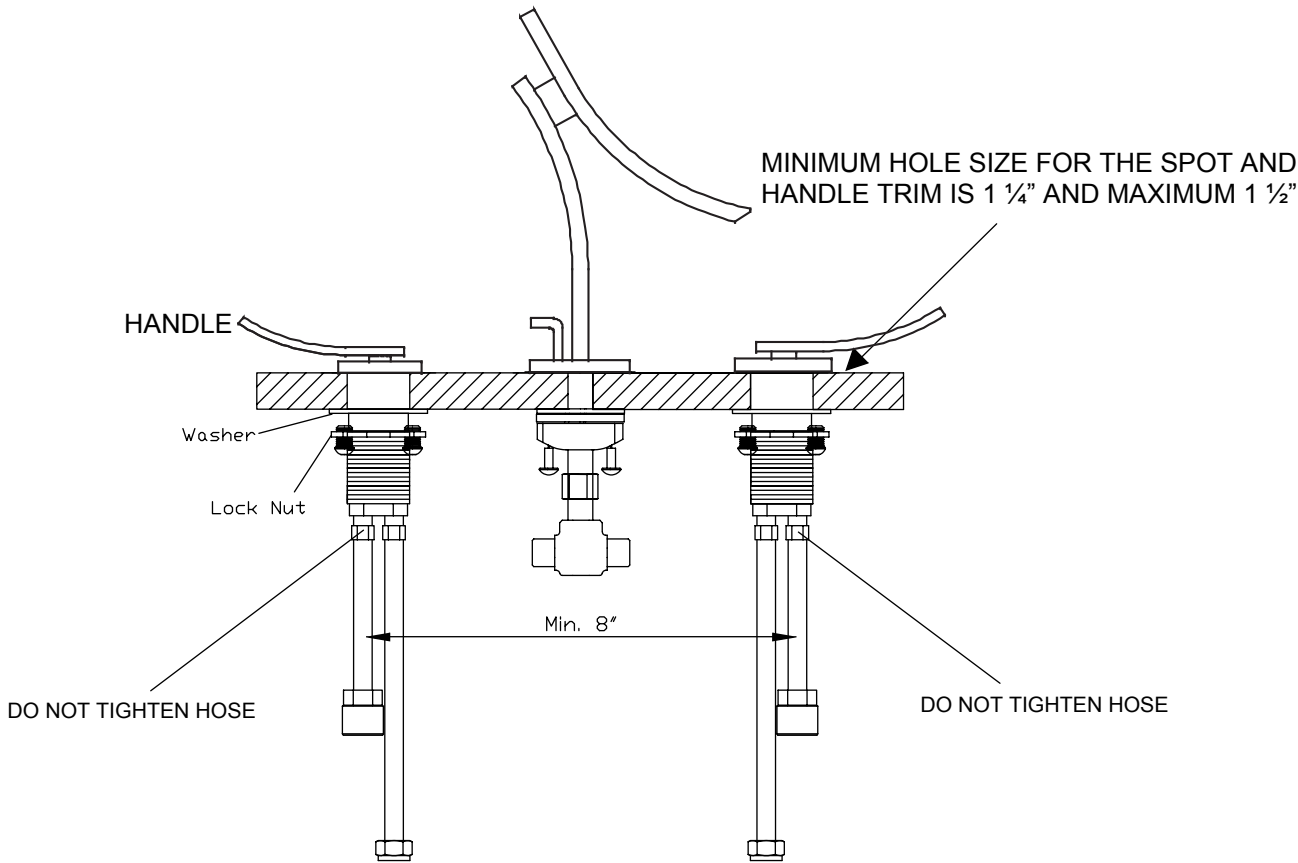


COLLECTION  
**WIDESPREADS**

This is a general installation instruction  
for the following collections:  
\* AVA \* AVA CRYSTAL

PLEASE READ THE INSTRUCTIONS COMPLETELY  
BEFORE BEGINNING THE INSTALLATION.

**Note:** Important notice on Page 3!  
Read carefully installation instruction step 4!



\*\*\* NOTE: SHUT OFF WATER SUPPLY BEFORE BEGINNING INSTALLATION\*\*\*

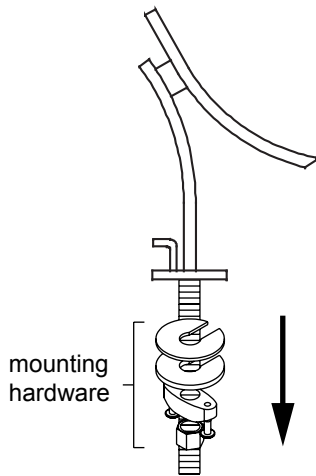
INSPECTED BY \_\_\_\_\_

KEEP THIS INSTRUCTION BOOKLET FOR FUTURE REFERENCE

## SPOUT INSTALLATION

### Step 1.

- Remove the mounting hardware from the spout.

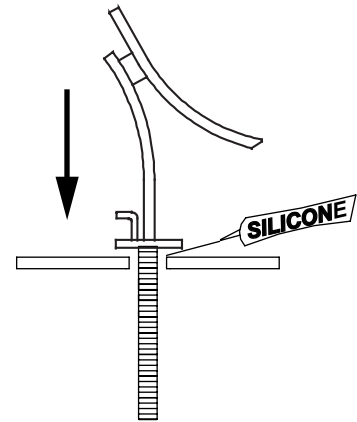


### Step 2.

- Apply a ring of silicone caulking around hole designated for spout.

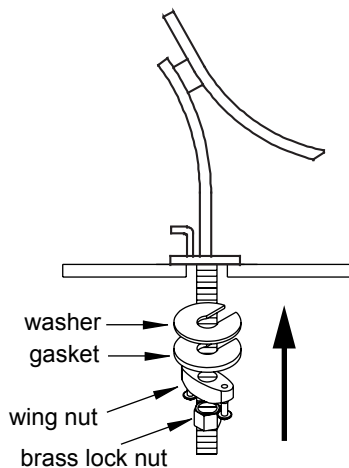
**DO NOT USE PLUMBERS' PUTTY WHICH CAN DAMAGE FINISH.**

- Insert spout through center hole sink or countertop.



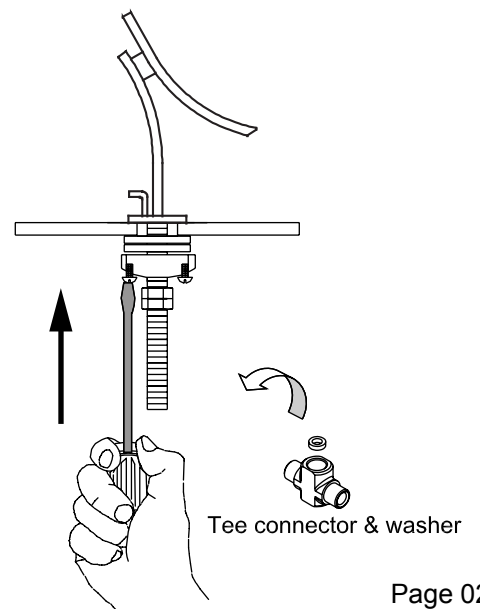
### Step 3.

- From below, slip notched washer and gasket over spout shank. Align notched washer and gasket to allow pop-up rod to pass through.
- Attach wing nut and brass lock nut.



### Step 4.

- Secure spout by tightening the two screws on wing nut.
- Thread tee connector and washer to spout shank and tighten to seal.

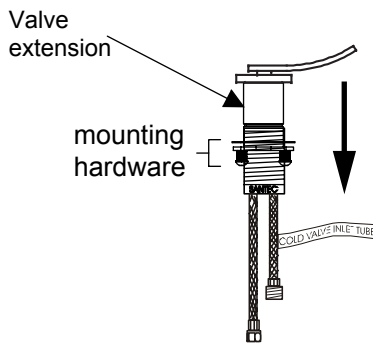


# HANDLE TRIM INSTALLATION

HANDLE TRIMS ARE READY FOR DROP IN INSTALLATION. DO NOT DISASSEMBLE.

## Step 1

- Remove the valve body mounting hardware from the valve body.
- Hot valve assembly “Red” to be mounted on left.
- Cold valve assembly “Blue” to be mounted on right.

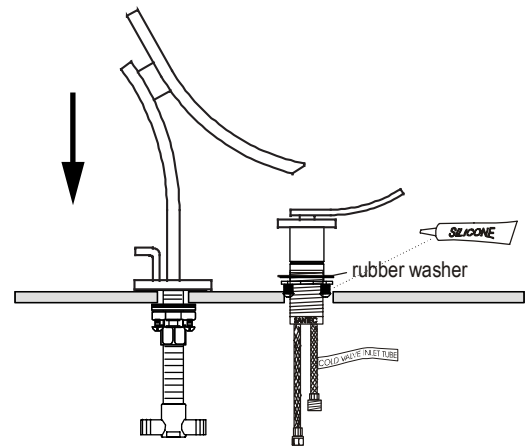


## Step 2

- Apply a ring of silicone caulking around the handle hole on the sink countertop.

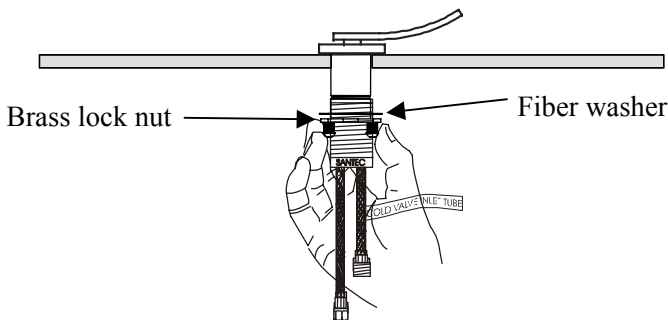
**DO NOT USE PLUMBERS’ PUTTY WHICH CAN DAMAGE FINISH.**

- Slip valve through appropriate hole in sink or countertop.



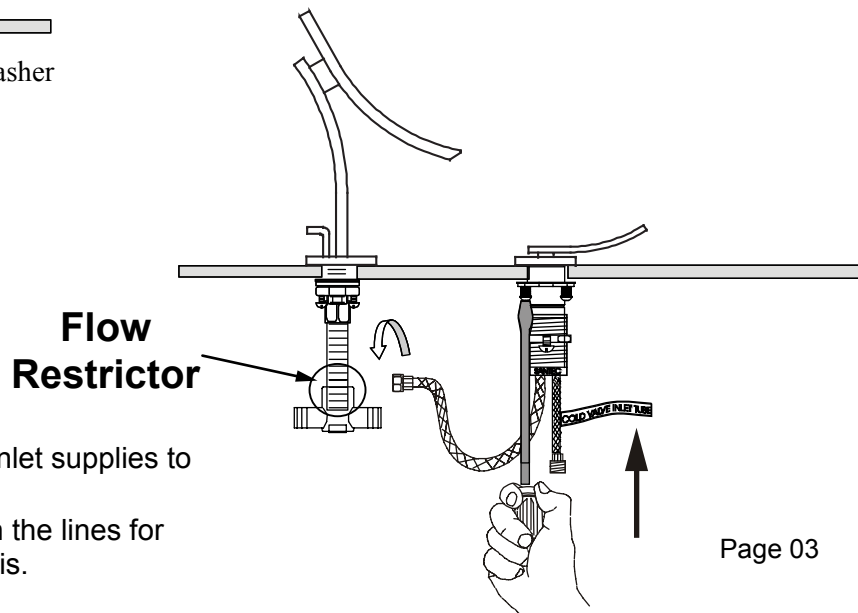
## Step 3

- Align handle with respect to the spout and tighten valve body locknut until secure.
- Make sure the correct open/close position was installed.



## Step 4

- Snug bottom locknut security screw.
- **STOP! FLUSH THE LINE!\***
- Aim outlet hoses towards tee connector and attach securely to avoid leakage.



## \* FLUSH THE LINE

- After all connections have been made from inlet supplies to angle stop, open both hot and cold valves.
- Slowly open angle stop from below and flush the lines for approximately 45 seconds to clean any debris.
- Turn off the water

## POP-UP DRAIN INSTALLATION

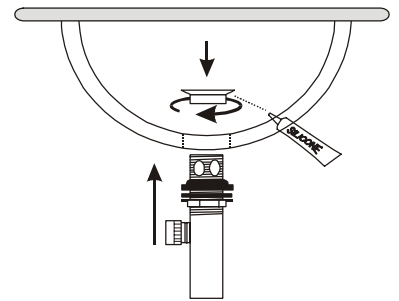
1. Remove decorative drain flange and drain plug from pop-up assembly.



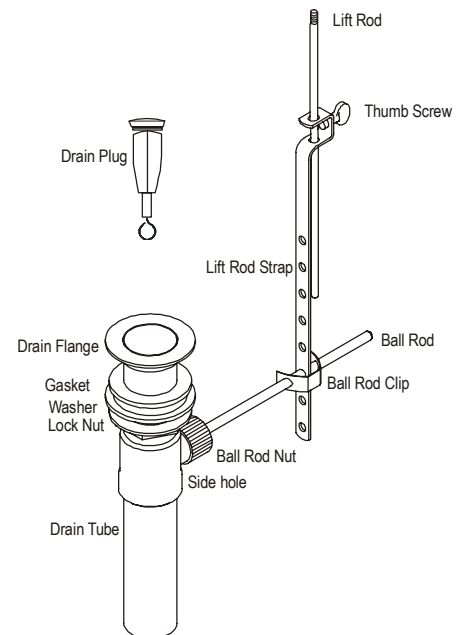
2. Apply a ring of silicone caulking to underside of decorative drain flange.

**DO NOT USE PLUMBERS' PUTTY, WHICH CAN DAMAGE FINISH.**

3. Insert threaded end of the assembly up from below sink
4. Completely thread drain body into decorative drain flange and align with ball rod hole facing back and tighten lock nut from below.



5. Insert drain plug into decorative drain flange with adjustable eye-screw facing back.
6. Attach ball rod washer and ball rod nut to horizontal ball rod and install into drain body.
7. Do not over tighten. Ball rod must operate freely.
8. Slide lift rod and knob through spout and from below the lift rod strap and tighten thumbscrew.
9. Gently push the horizontal ball rod down to place the drain plug in the up position.
10. Slip one leg of ball rod clip off horizontal rod and insert lift rod strap, reattach leg of ball rod clip.
11. Test pop-up for smooth operation and adjust if necessary.



## FLUSH THE LINE

- After all connections have been made from inlet supplies to angle stop, remove the aerator.
- Open both hot and cold valves.
- Slowly open angle stop from below and flush the lines for approximately 45 seconds to clean any debris.
- Turn off the water and reinsert aerator.



## SANTEC LIFETIME LIMITED WARRANTY

1. **Finishes:** Santec **Polished Chrome, Polished Nickel and Satin Nickel** finishes carry a **Lifetime Limited** warranty against manufacturing defects and tarnish to the original purchaser with the exclusion of kitchen drain assemblies which, due to the nature of their use, are not warranted. Santec **recommended custom finishes** carry a ten (10) years limited warranty against manufacturing defects and tarnish to the original purchaser with the exclusion of kitchen and pop - up drain assemblies which, due to the nature of their use, are not warranted.
2. **Cartridges:** Santec Cartridges carry a lifetime limited warranty against manufacturing defects for the life of the product to the original purchaser.
3. **Parts:** Santec parts carry a Ten (10) year limited warranty against manufacturing defects, to the original purchaser.
4. **Warranty exclusions and limitations :** This warranty does not cover: damage due to negligence, accident, abuse, improper installation, or improper maintenance such as, but not limited to: heat from soldering during installation, the use of plumbers putty, damage from tools used during installation, the use or exposure to chemicals or cleaning products either abrasive or non abrasive or the use of any cleaning tool or product other than a soft, clean cloth. This warranty does not cover: changes in the finish or in the product due to normal wear or aging and does not cover any product or parts which have been altered or used in a manner not typical for the product. **This warranty does not cover and Santec will not be held liable for damage to products caused by the freight carrier and a claim should be made immediately to the freight carrier should this occur.** This warranty does not cover any cost involved in the installation, repair, or replacement of any Santec product or part. This warranty does not cover and Santec will not be held liable for any loss, damages, or expenses, incidental or consequential whatsoever, originating from the purchase, installation, use, repair, failure, or replacement of any Santec product or part, as allowed by law. The product or components of the covered product will either be repaired, refinished or replaced, at the sole discretion of Santec. Santec reserves the right to examine any product claimed defective prior to any warranty claim being accepted or processed, at its sole discretion. This warranty gives you specific legal rights and you may have other rights which may vary from state to state.

Effective **10/01/03** - Replaces and supersedes any previously issued warranty.

### FINISH CARE INFORMATION

#### For clear coated or enamel color finishes:

We recommend that all faucets, drains, etc. be gently wiped dry with a soft cloth after use to avoid water spotting and water deposit buildup. A mild liquid hand soap, such as Ivory may be used occasionally if desired. Use of a non -abrasive carnauba wax will add protection to the finish and should be used if the faucets will not be dried after use. Santec Orobrass kitchen products are clear coated.

#### For non-clear coated and specialty finishes:

We recommend that all faucets, drains, etc. be gently wiped dry with a soft cloth after use to avoid water spotting and water deposit buildup. Use of a non-abrasive carnauba wax is required occasionally.

Santec has obtained applicable code (standards) listings generally available on a national basis for products of this type. It is the responsibility of the installer/owner to determine specific local code compliance prior to installation of the product. Santec makes no representation or warranty regarding, and will not be responsible for any code compliance.

Some products listed in this catalog may not be approved for use in the state of Massachusetts, check with your Local Authority or Licensed Plumber to assure code compliance.