

# SANTEC

FLUID IMAGINATION

E-SERIES: EBIS COLLECTION  
WIDESPREAD LAVATORY  
WITH "HY" HANDLES

MODEL: 3720HY10  
3720HY75



KEEP THIS INSTRUCTION BOOKLET FOR FUTURE REFERENCE

# Spout

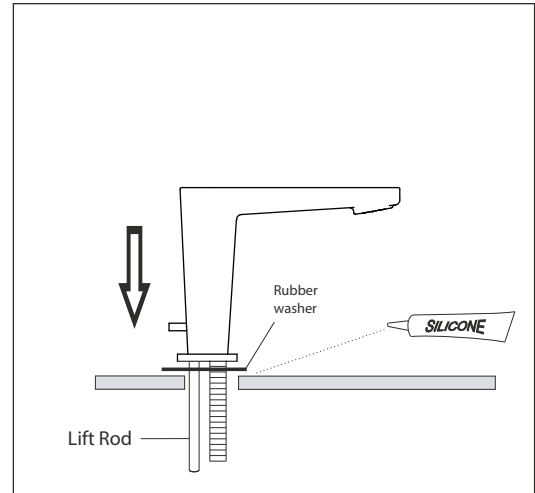
Flush both supply lines before installation. After flushing, shut off both supply lines.

Hole size for the spout and handle trim is a minimum of 1¼" and a maximum of 1½".

## Spout Installation

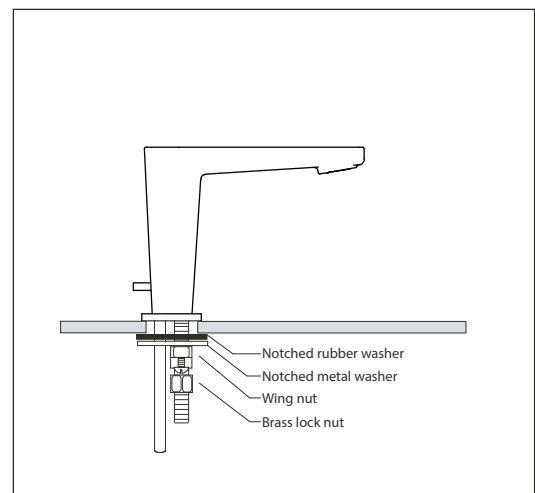
- A** Remove tee connector, tee connector washer, lift rod, and spout mounting hardware from bottom of spout assembly. Apply a ring of silicone caulking around the center hole on the top of the sink (do not use plumber's putty which can damage the spout finish).

From the top of the deck, drop in the spout through the center hole of the sink or counter surface.



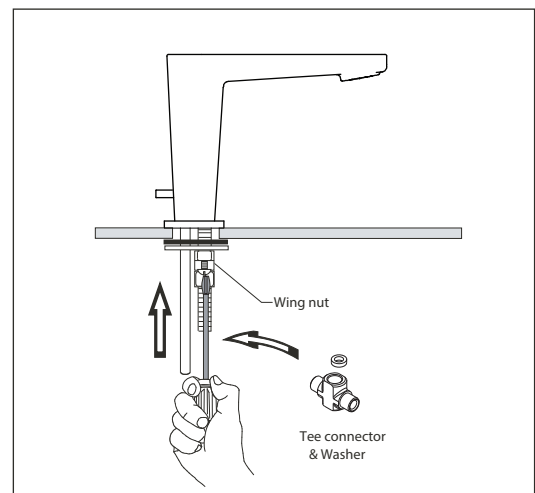
- B** Slip the spout mounting hardware back onto the spout. First the notched rubber washer, then the notched metal washer, wing nut, and brass lock nut. Insert lift rod and make sure it operates smoothly. Adjust if necessary and remove the lift rod from the spout.

Hand tighten the nut.



- C** Align spout and secure to the sink or counter surface by tightening the 2 screws on the wing nut with a Phillips head screwdriver. Place the tee connector washer into the tee connector and thread the tee connector onto the end of the spout shank. Hand tighten to seal.

(PLACE LIFT ROD ASIDE UNTIL POP-UP INSTALLATION)



# Handle

## Handle Installation

HANDLE TRIMS ARE READY FOR SIMPLE DROP-IN INSTALLATION.

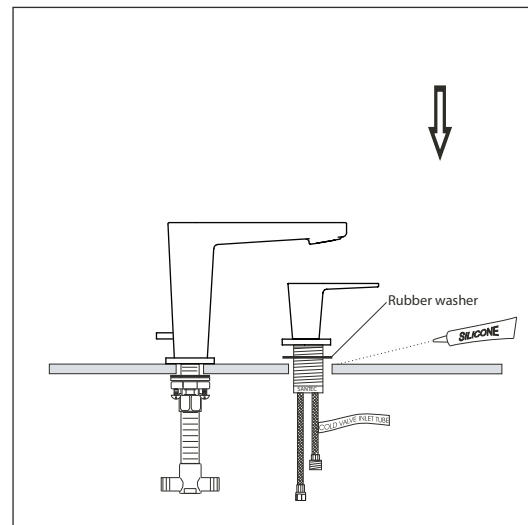
DO NOT DISASSEMBLE.

- A** Remove the valve body mounting hardware from the valve body.

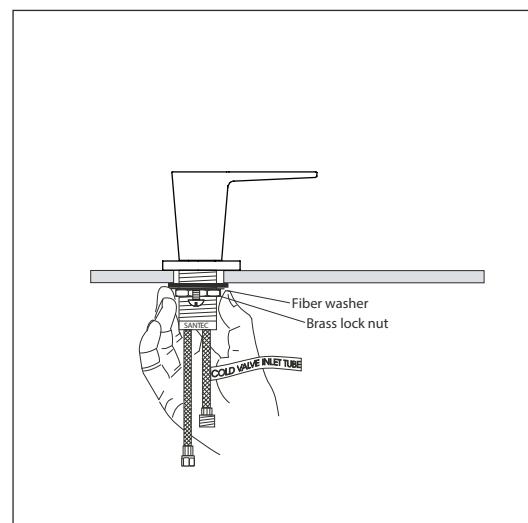
Make sure the handle with the “cold” blue label is installed at the right side of the spout (looking from front) and the handle with the “hot” red label at the left side of the spout.

Apply a ring of silicone caulking around the handle hole on the sink or counter top (do not use plumber’s putty which can damage the finish of your faucet).

Slip the valve body’s flexible hoses from the top of the sink or counter through the appropriate hole next to the spout.



- B** Align the handle lever properly with respect to the spout (make sure the respective handle is in its “OFF” position)  
From under the basin or counter, hand tighten the brass lock nut and fiber washer to the valve body against the counter.

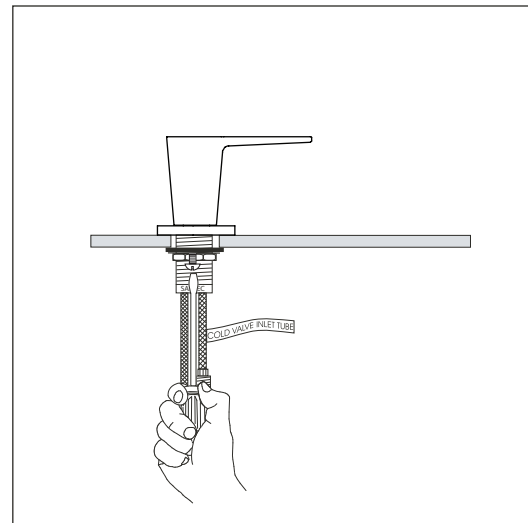


# Handle

---

## Handle Installation

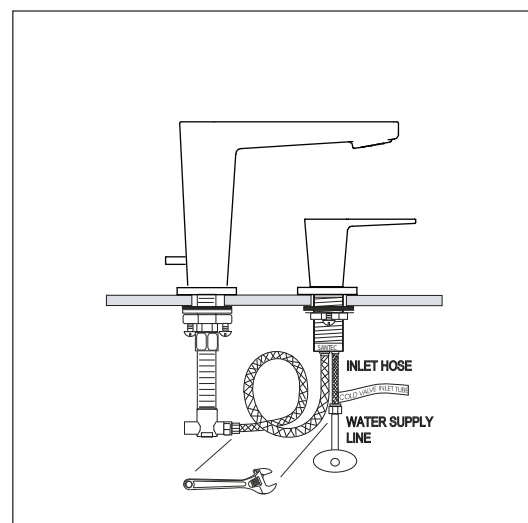
- C Secure the valve body by tightening the screws attached to the lock nuts with a phillips head screwdriver.



- D Loop and connect the flexible hoses to the tee.

Tighten the nuts provided at the of the hose to avoid leakage.

Connect and tighten the Inlet hoses to the supply lines. Use 1/2" IPS faucet connections, or 3/8" copper pipe using the compression fitting system.

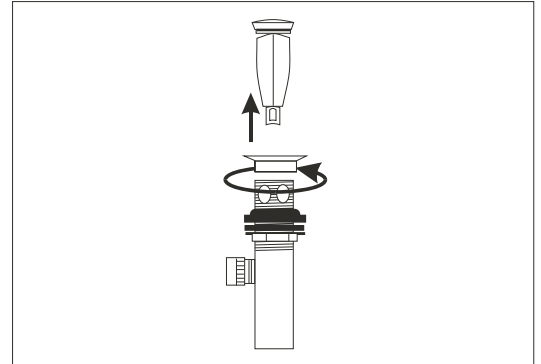


# Pop-Up Drain

## Pop-Up Drain Installation

- A** Remove the drain flange and drain plug from the pop-up assembly.

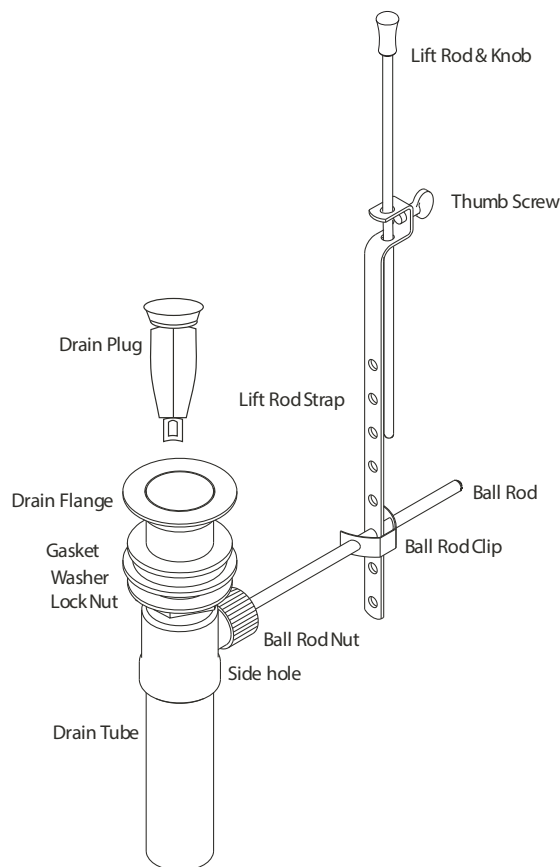
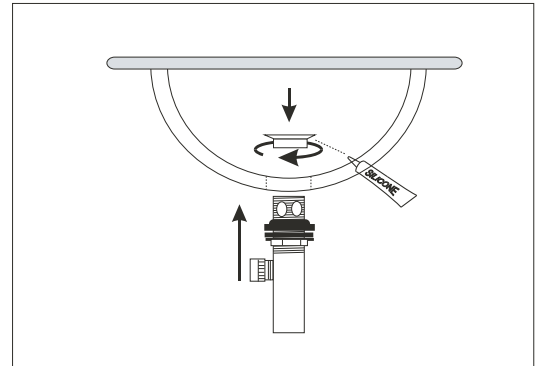
Do not remove the gasket, washer and lock nut.



- B** Apply a ring of silicone caulking underneath the drain flange (do not use plumber's putty).

Insert the threaded end of the assembly up from under the sink. Completely thread the drain flange onto the top of the drain tube.

Tighten the lock nut from under the sink.



# Pop-Up Drain

---

## Pop-Up Drain Installation

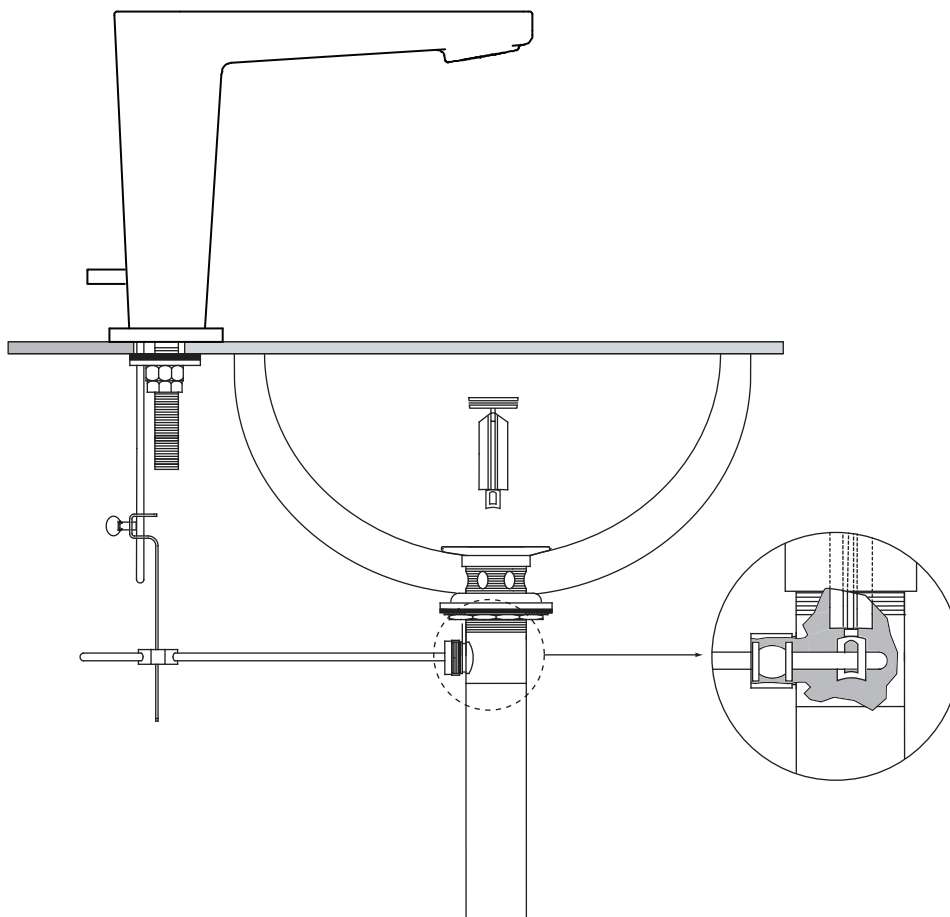
- C Insert drain plug into drain flange. Make sure the adjustable eye-screw of the drain plug is facing back so that the ball rod will properly fit into it.

Insert ball rod washer into drain body followed by the ball rod, 2nd washer and ball rod nut. Tighten the ball rod nut so that the ball rod moves freely.

Slip the faucet's lift rod through the holes at the top of the lift rod strap and hand tighten the thumb screw. Push the ball rod down so the drain plug is in the up position.

Slip one leg of the ball rod clip onto the ball rod and slide the lift rod strap onto the ball rod using the nearest hole. Then slide the second leg of the clip onto the rod.

Test pop-up for smooth operation and adjust the strap if necessary.



# Flush the Line

---

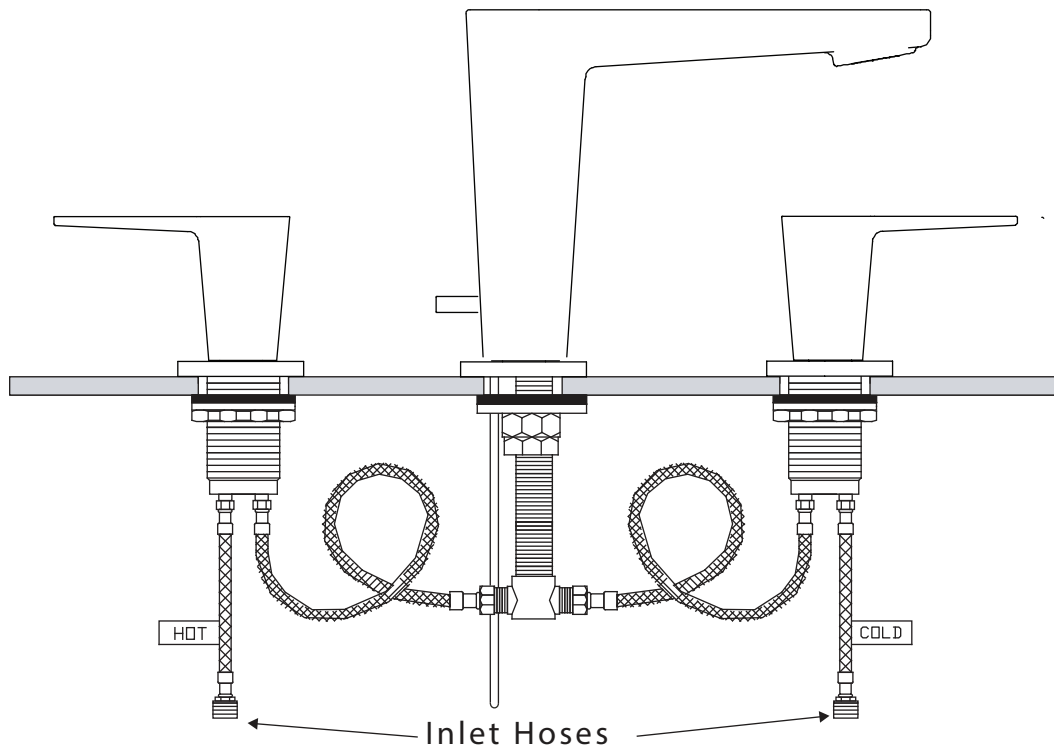
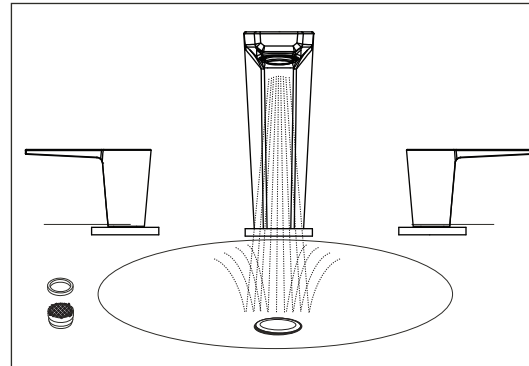
## Flush the Line Instruction

After all the connections have been made, remove the hidden aerator with the provided key.

Turn both both hot and cold water on and flush the lines for 45 seconds.

Turn off the water and reinsert the aerator.

Turn on the water and check for leakages at all joints. If water leaks from any of the connections tighten the connection until the leakage stops.





## FINISH CARE INFORMATION

**WARNING:** Do not clean your SANTEC product with ammonia (window cleaner), bleach, soaps, acids, abrasives, harsh polishes, harsh cleaners, a coarse surfaced cloth, coarse sponge, or any type of scouring pad. Doing so may ruin your faucet finish and/or void the warranty.

Thank you for making SANTEC a part of your lifestyle and luxury spa experience. Our products have been created as works of enduring quality and sophisticated design. Luxurious finishes need proper care and attention, so in order to understand how to properly clean your distinctive luxury finish, please refer to the finish care information below:

Your SANTEC product can be identified in one of two categories: clear coated finishes or non-clear coated finishes. Clear coated finishes are more scratch-sensitive and are more reactant to harsh cleaning chemicals than non-clear coated finishes. Once you have identified the specific luxury finish of your SANTEC product, please follow the important corresponding care instructions.

**Living finishes are unique, are intended to change over time and are excluded from the finish warranty. Any product outdoors or in a marine environment are excluded from the finish warranty.**

### CLEAR COATED FINISHES

Clear Coated Finishes are as Follows:

We recommend that all faucets, drains, etc., be gently wiped dry with a soft cloth after use to avoid water spotting and water deposit build-up. A mild liquid hand soap may be used occasionally if desired. Use of a non-abrasive carnauba wax will add protection to the finish and should be used if the faucets will not be dried after use. Santec Orobrass kitchen products are clear coated. For clear coated finishes, it is recommended to clean your product weekly with a soft moist cloth.

### NON-CLEAR COATED FINISHES

We recommend that all faucets, drains, etc., be gently wiped dry with a soft cloth after use to avoid water spotting and water deposit build-up. A mild liquid hand soap may be used occasionally if desired. Use of a non-abrasive carnauba wax is occasionally required and will add protection to the finish if the faucets will not be dried after use.

### TO OBTAIN WARRANTY SERVICE

Please read 'WHAT IS COVERED BY OUR WARRANTY' and 'EXCLUSIONS AND LIMITATIONS OF WARRANTY' sections to understand what is and what is not covered. Please have ready the proof of purchase (original sales receipt), description of the problem, and carefully package the product or defective part with postage prepaid. Then, please contact your local SANTEC Showroom or write to SANTEC Technical Services.





## LIFETIME LIMITED WARRANTY

SANTEC is committed to enhancing your bathroom experience by creating luxury products that will provide enduring satisfaction. Every effort has been made to satisfy the highest standards of design and production to create lasting peace of mind for our customers. Proof of purchase must be provided for all warranty claims, SANTEC provides the following limited warranties on our product.

### LENGTH OF WARRANTY & WHO IS COVERED BY OUR WARRANTY

This warranty only extends to the original consumer purchaser.

### WHAT IS COVERED BY OUR WARRANTY

- 1. Finishes:** SANTEC Polished Chrome, Polished Nickel and Satin Nickel finishes carry a Lifetime Limited warranty against manufacturing defects and tarnish to the original purchaser. Custom finishes carry a ten (10) years limited warranty against manufacturing defects and tarnish to the original purchaser only. Kitchen products carry a three (3) year limited warranty.
- 2. Cartridges:** Santec cartridges carry a lifetime limited warranty, with the exception of thermostatic and pressure balanced cartridges, which carry a three (3) year limited warranty against manufacturing defects to the original purchaser.
- 3. Parts:** Santec parts carry a ten (10) year limited warranty against manufacturing defects, to the original purchaser. Kitchen products carry a five (5) year limited warranty.

### EXCLUSIONS AND LIMITATIONS OF WARRANTY

This warranty does not cover:

- 1. Drains**
- 2. Crystals and/or glass**
- Damage due to negligence, accident, abuse, improper installation, or improper maintenance such as, but not limited to: heat from soldering during installation, the use of plumber's putty, damage from tools used during installation, the use or exposure to chemicals or cleaning products either abrasive or non-abrasive, or the use of any cleaning tool or product other than a soft, clean cloth. Reverse osmosis may also shorten the life of the finish.
- Changes in the finish or in the product due to normal wear or aging does not cover any products or parts which have been altered or used in a manner not typical for the product.
- Loss, damages, or expense, incidental or consequential whatsoever, originating from the purchase, installation, use, repair, failure, or replacement of any SANTEC product or part, allowed by law.
- Commercial and/or Industrial installations and use of the product.
- This warranty does not include labor, travel charges, or any costs incurred for repair, removal, installation, servicing, diagnosing, or handling of either defective or replacement parts.
- Access should be provided to the roman tub valves for future service or repair to valves and piping. Under no circumstances will Santec Faucet, Inc. be liable for any costs associated with the removal of materials for future access to the tub valves or piping for service or repair.
- This warranty does not cover: damage due to negligence, accident, abuse, improper installation, or improper maintenance such as, (but not limited to): heat from soldering during installation, the use of plumbers putty, damage from tools used during installation, the use or exposure to chemical or cleaning products, abrasive or non-abrasive, or the use of any cleaning tool or product other than a soft, clean cloth. **This warranty does not cover: changes in the finish or in the product due to normal wear or again and does not cover any product or parts which have been altered or used in a manner not typical for the product.** Santec will not be held liable for damage to products caused by the freight carrier, any such claims should be made immediately with the freight carrier. This warranty does not cover any cost involved in the installation, repair, or replacement of any SANTEC product or parts. This warranty does not cover and SANTEC will not be held liable for any loss, damages, or expenses, incidental or consequential whatsoever, originating from the purchase, installation, use, repair, failure, or replacement of any SANTEC product or part, as allowed by law. The product of components of the covered product will either be repaired, refinished or replaced at the sole discretion of SANTEC. SANTEC reserves the right to examine any product claimed defective prior to any warranty claim being accepted or processed, at its sole discretion. This warranty gives you specific legal rights and you may have other rights which may vary from state to state.