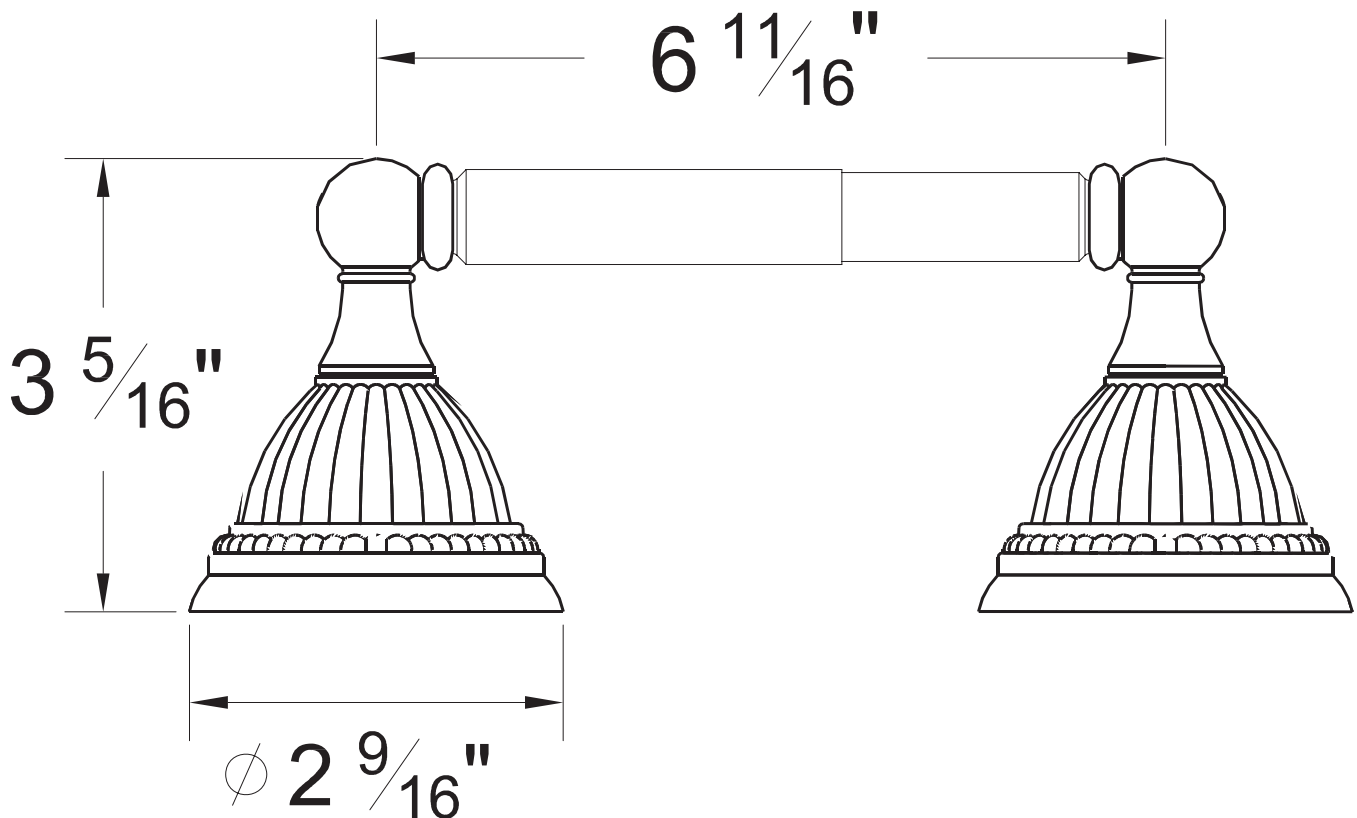


PRODUCT SPECIFICATION SHEET

ITEM # 8165LU
Paper holder

- Matches LL handles



The measurements shown are for reference only. Products and specifications shown are subject to change without notice.

www.santecfaucet.com | P: 310.542.0063 F: 310.542.5681