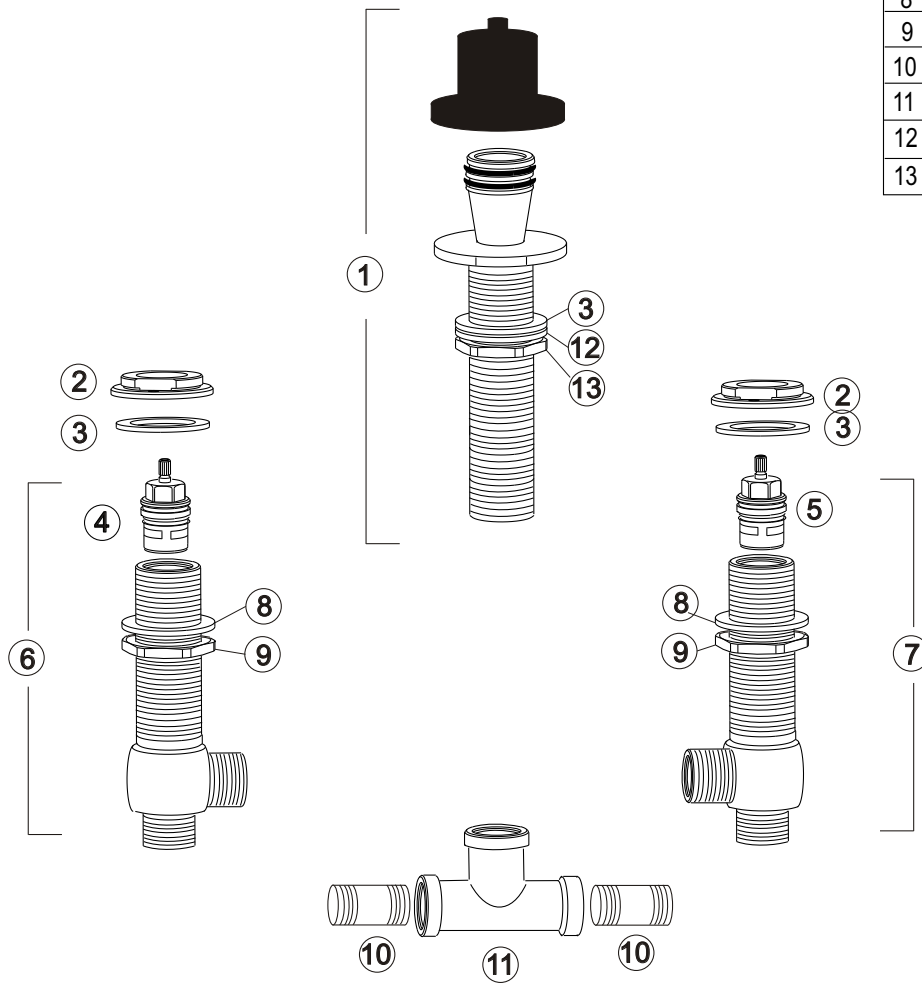


PLEASE READ THE INSTRUCTIONS COMPLETELY
BEFORE BEGINNING THE INSTALLATION.

**ROUGH FOR ESTATE SERIES
ROMAN TUB FILLERS**

#	PART DESCRIPTION	PART #
1	Quick Connect Spout Shank & Hardware	KQ-5100S
2	Handle Top Lock Nut	PM-107
3	Flange Rubber Washer	PM-400
4	Hot Cartridge	P0420-SH
5	Cold Cartridge	P0420-SC
6	Complete Hot Valve	P0495
7	Complete Cold Valve	P0496
8	Red Fiber Washer	PM-332
9	Brass Lock Nut	PM341
10	All Thread	P0341
11	Tee Connector	P0340
12	Crimped Meta Washer	PM551
13	Brass Lock Nut	PM550



INSPECTED BY _____

KEEP THIS INSTRUCTION BOOKLET FOR FUTURE REFERENCE

DO NOT SEAL THE TUB OR CLOSE THE ACCESS PANEL BEFORE INSTALLING THE TRIMS.

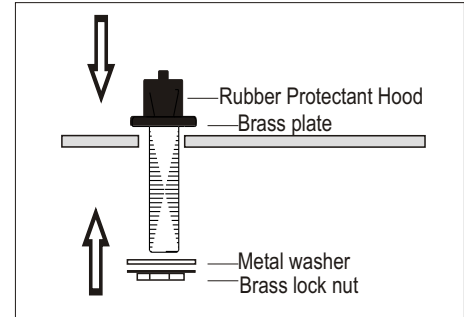
MINIMUM HOLE SIZE FOR SPOUT AND HANDLE TRIM IS 1 1/4" AND MAXIMUM IS 1 1/2"

ROUGH INSTALLATION

DO NOT DISCARD THE SPOUT PROTECTANT HOOD PRIOR TO THE TRIM INSTALLATION

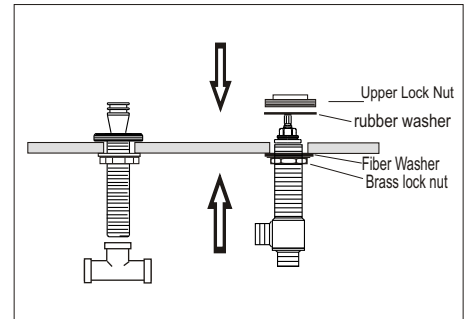
1

- Remove the Quick Connect Spout Shank and Mounting Hardware (1) from the box.
- Remove the mounting hardware (rubber washer, crimped metal washer and brass lock nut) from the Quick Connect Shank.
- From the top of the deck, insert the quick Connect shank through the assigned spout hole.
- Secure the quick connect shank by putting the rubber washer, crimped metal washer and locknut back onto the shank.
- Tighten the lock nut firmly.



2

- Unscrew top lock nuts(2) and rubber washers(3) from the valve bodies (6) and (7).
- Slip the valve bodies (6) or (7) up from the under of the tub through the appropriate hole next to the spout. From tub top, insert the rubber washers (3) and screw the top lock nuts (3) back onto the valve bodies.
- Position the valve body side outlet towards the tee connector (11) for easier pipe connection.
- Hand tighten the valve body lock nut (9).



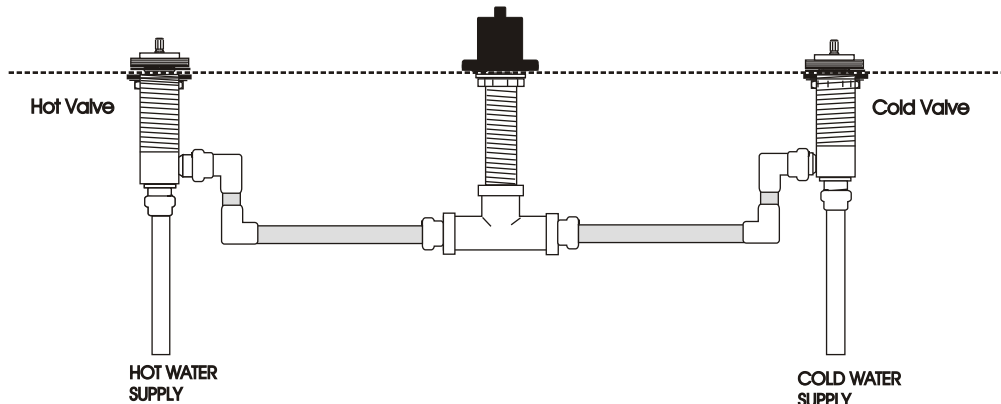
DO NOT FIRMLY TIGHTEN THE VALVE BODY LOCK NUTS UNTIL THE TRIMS ARE INSTALLED.

MAKE SURE THAT THE VALVE BODY HEIGHT CAN BE ADJUSTED LATER WHEN TRIM ARRIVES

Note: for better installation it is advisable to place Silicone caulking around all holes on the top of the deck

- Connect the water supply lines to the bottom inlets of the valve bodies. **
- Connect the valve body side outlet to the tee connector (11). **

** The spout, handle valve bodies and tee connector can be connected with flex hoses (not provided by Santec) or copper pipe soldering. Please note that when soldering connections are to be made, do not use excessive heat. Excessive heat can damage the valve body joints and this increases possibility of leakage.





SANTEC LIFETIME LIMITED WARRANTY

- 1. Finishes:** Santec **Polished Chrome, Polished Orobrass and Satin Nickel** finishes carry a **Lifetime Limited** warranty against manufacturing defects and tarnish to the original purchaser with the exclusion of kitchen drain assemblies which, due to the nature of their use, are not warranted. Santec **recommended custom finishes** carry a ten (10) years limited warranty against manufacturing defects and tarnish to the original purchaser with the exclusion of kitchen and pop - up drain assemblies which, due to the nature of their use, are not warranted.
- 2. Cartridges:** Santec Cartridges carry a lifetime limited warranty against manufacturing defects for the life of the product to the original purchaser.
- 3. Parts:** Santec parts carry a Ten (10) year limited warranty against manufacturing defects, to the original purchaser.
- 4. Warranty exclusions and limitations :** This warranty does not cover: damage due to negligence, accident, abuse, improper installation, or improper maintenance such as, but not limited to: heat from soldering during installation, the use of plumbers putty, damage from tools used during installation, the use or exposure to chemicals or cleaning products either abrasive or non abrasive or the use of any cleaning tool or product other than a soft, clean cloth. This warranty does not cover: changes in the finish or in the product due to normal wear or aging and does not cover any product or parts which have been altered or used in a manner not typical for the product. **This warranty does not cover and Santec will not be held liable for damage to products caused by the freight carrier and a claim should be made immediately to the freight carrier should this occur.** This warranty does not cover any cost involved in the installation, repair, or replacement of any Santec product or part. This warranty does not cover and Santec will not be held liable for any loss, damages, or expenses, incidental or consequential whatsoever, originating from the purchase, installation, use, repair, failure, or replacement of any Santec product or part, as allowed by law. The product or components of the covered product will either be repaired, refinished or replaced, at the sole discretion of Santec. Santec reserves the right to examine any product claimed defective prior to any warranty claim being accepted or processed, at its sole discretion. This warranty gives you specific legal rights and you may have other rights which may vary from state to state.

Effective 10/01/03 - Replaces and supersedes any previously issued warranty.

FINISH CARE INFORMATION

For clear coated or enamel color finishes:

We recommend that all faucets, drains, etc. Be gently wiped dry with a soft cloth after use to avoid water spotting and water deposit buildup. A mild liquid hand soap, such as Ivory may be used if desired. Use of a non abrasive canauba wax will add protection to the finish and should be used if the faucet will not be dried after use. Santec Orobrass kitchen products are clear coated.

For non -clear coat ed and specialty finishes:

We recommend that all faucets, drains, etc. be gently wiped dry with a soft cloth after use to avoid water spotting and water deposit buildup. Use of a non -abrasive carnauba wax is required occasionally.

Lead Precaution Information:

Most sources of drinking water contain some amounts of lead. Brass faucets, fittings, water meters etc. can create small amounts of lead if the water is allowed to stagnant in them for an extended period of time. We suggest that you ALWAYS RUN WATER FOR A SECOND OR TWO TO CLEAR THE FAUCET OF STANDING WATER PRIOR TO USE. This simple procedure will prevent detectable amounts of lead from the faucet entering into the water you consume.

Due to the fact that brass faucets can facilitate allowing detectable amounts of lead into the water, when it is allowed to stand in them for some time, some states like California mandate the following notice; **WARNING: ALL BRASS FAUCETS CONTRIBUTE DETECTABLE AMOUNTS OF LEAD, A CHEMICAL KNOWN TO CAUSE BIRTH DEFECTS OR OTHER REPRODUCTIVE HARM.**

Santec has obtained applicable code (standards) listings generally available on a national basis for products of this type. It is the responsibility of the installer/owner to determine specific local code compliance prior to installation of the product. Santec makes no representation or warranty regarding, and will not be responsible for any code compliance.

Some products listed in this catalog may not be approved for use in the state of Massachusetts, check with your Local Authority or Licensed Plumber to assure code compliance.