

**KEEP THIS INSTRUCTION BOOKLET FOR FUTURE REFERENCE**

Important : Please register your product online at [www.santecfaucet.com](http://www.santecfaucet.com) within 30 days of purchase. Santec reserves the right to request additional documents before servicing warranty requests.

#	DESCRIPTION	PART #
1	O-Ring	PM-389
2	Quick Connect w/ Diverter	KQ-5500
3	Lock Nut	PM-1021
4	Valve Lock Nut	PM-090
5	Washer	PM-407
6	Cap Vinyl	HS-204
7	Hose	HS-600
8	Mounting Hardware (3 pcs)	PM-Z11
9	Flange Mount	HS-206
10	Polyethylene Washer	PM-321
11	3/4" Valve Hot Short 20 Key	P0495
12	3/4" Valve Cold Short 20 Key	P0496

# SPOUT

## Rough Installation For Spout

Hole size for the spout shank and handle valves are minimum of 1¼” and maximum of 1½”.

NOTE: Only remove protective cap while installing rough and when installing the trim. This will keep debris out of moving parts.

Turn off HOT and COLD supply lines before beginning installation.

Remove protective cap from the head of the shank. DO NOT THROW AWAY.

Unscrew the Lock Nut off of the shank and move down the Mounting Hardware a few inches (Figure A).

Apply a ring of silicone caulking around deck hole (Figure A). DO NOT USE PLUMBER'S PUTTY, WHICH CAN DAMAGE FINISH.

Slip the remaining Shank Assembly up and through the deck hole from underneath. While holding the assembly up and off of the silicone, thread the lock nut all the way back onto the shank until it bottoms out (Figure A).

NOTE: Find the “front here” mark, which is marked on the base of the Lock Nut, and make sure that it is facing frontward (See magnified graphic in Figure B).

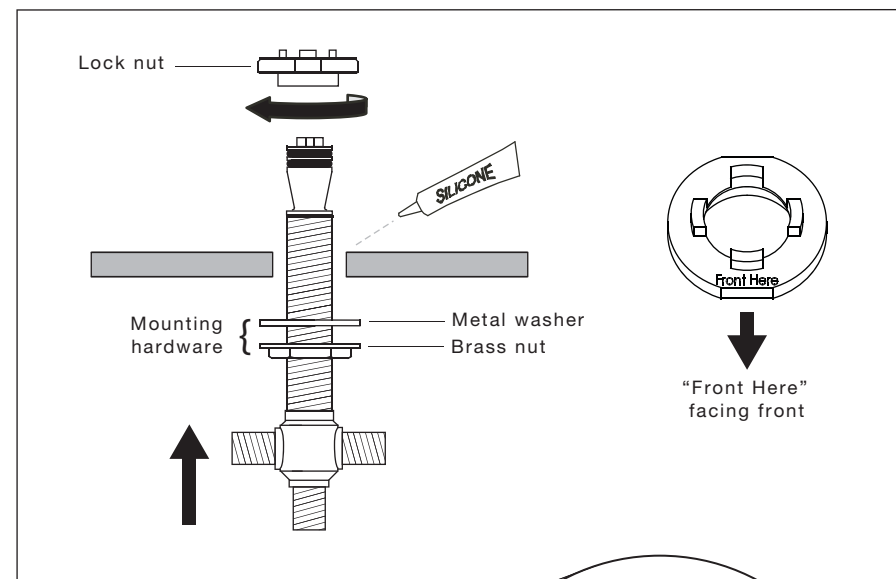
**IMPORTANT:** Set the shank down onto the ring of silicone with the “front here” mark facing frontward. Use a long straight-edge to align the front of the lock nut parallel with the deck edge. From underneath, tighten the spout mounting hardware until secure (see Figure B).

Wipe away excess silicone with paper towel.

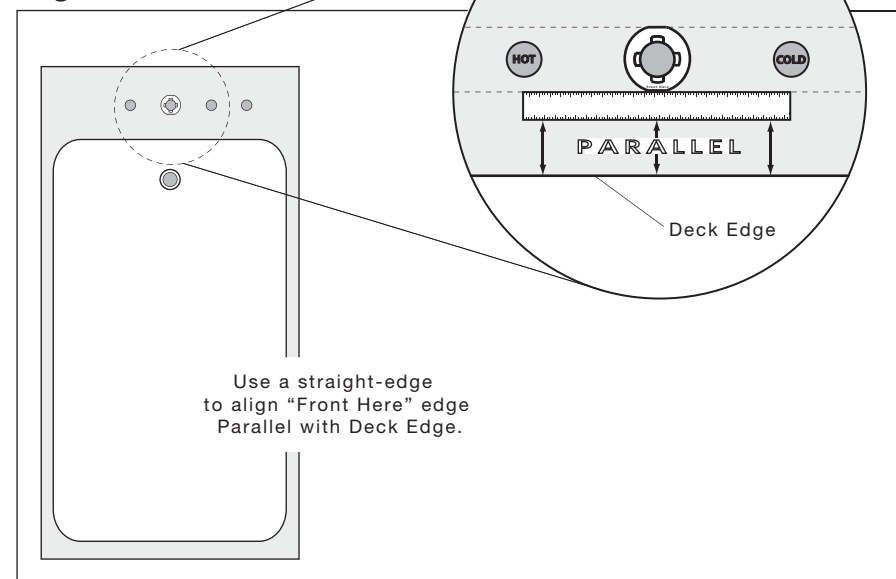
Fit the protective cap back onto the head of the shank until trim arrives.

# SPOUT

### Figure A



### Figure B



# HANDLES

## Rough Installation For Handles

Remove valve cover from the valve.

NOTE: Hot valve "Red" mounted to left side.  
Cold valve "Blue" to be mounted to right side.

Remove the top lock nut and top lock nut washer from the valve body.

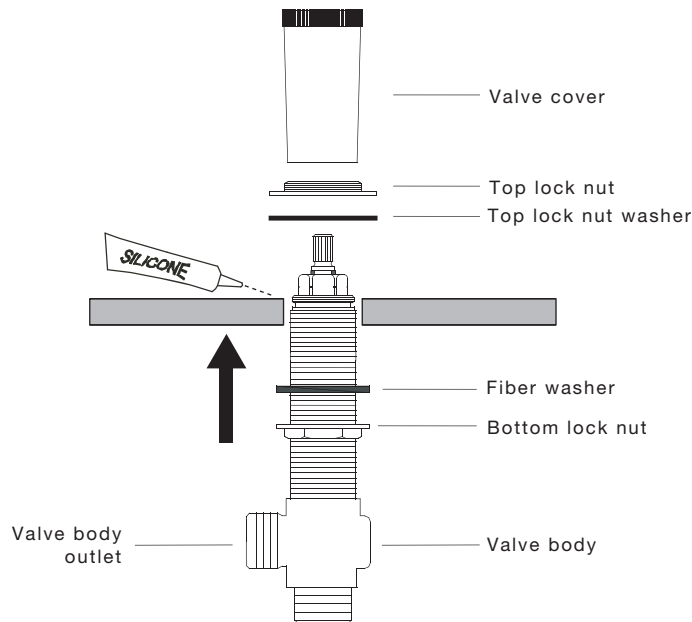
Apply a ring of silicone caulking around deck hole. DO NOT USE PLUMBER'S PUTTY, WHICH CAN DAMAGE FINISH.

Move the fiber washer and bottom lock nut down a few inches before installing valve.

Slip the valve body up and through the proper deck hole from underneath. Thread the top lock nut and top lock nut washer back onto the valve body and tighten down securely.

From underneath, tighten the bottom lock nut securely.

Fit the valve cover back onto the head of the valve until trim arrives.



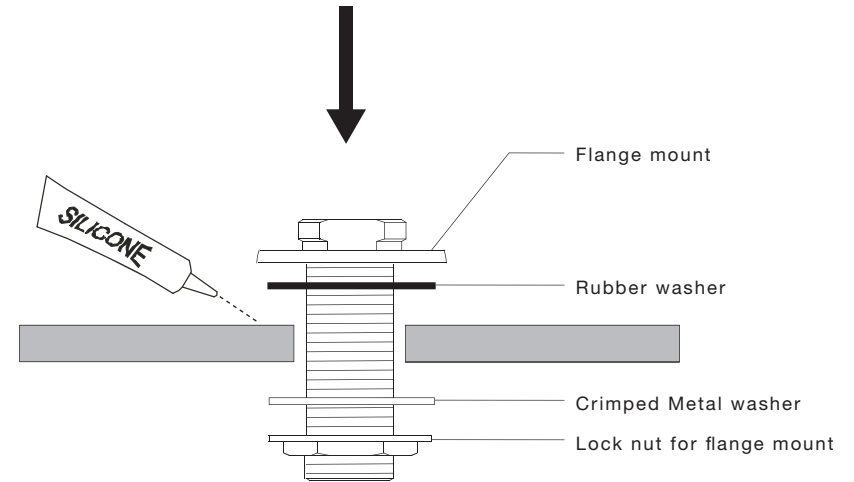
# HAND SHOWER FLANGE

## Rough Installation For Hand Shower Flange

Apply a ring of silicone around the flange mount hole on top of the deck.

Slip the flange mount and rubber washer through the flange mount hole and fasten by firmly tightening the lock nut from below.

Wipe away excess silicone with paper towel.



# HOSE

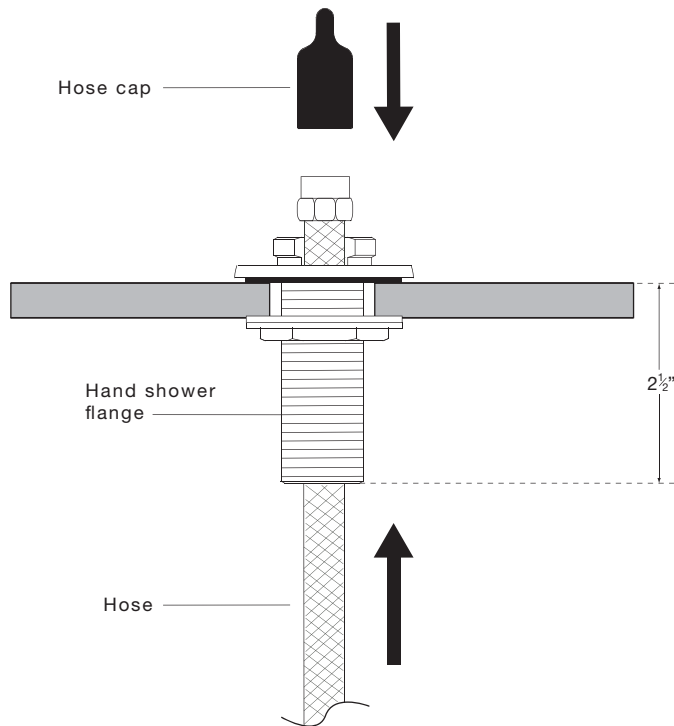
## Hose Installation

NOTE: The measurement of the flange below the deck is 2-1/2".

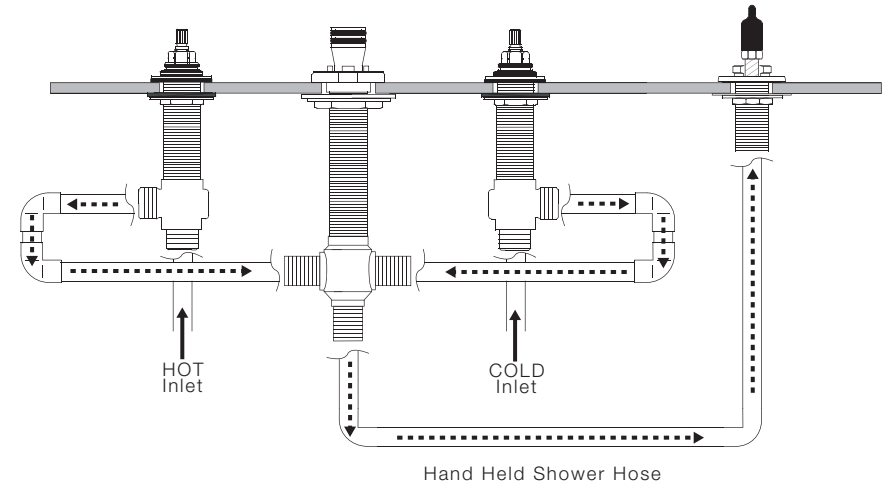
Wrap teflon tape around the hand shower outlet ("OUT") of the diverter valve and connect and tighten the end of the hose to the hand shower outlet (see diagram on next page for diverter valve connections).

Remove the hose cap and feed the hose up through the hand shower flange. Re-attach the hose cap and leave it in place until trim arrives.

NOTE: You may want to secure the hose to the flange or loop the hose to prevent it from falling back through the deck.



# COMPLETE ROUGH





## SANTEC LIFETIME LIMITED WARRANTY

1. **Finishes:** Santec Polished Chrome, Polished Nickel and Satin Nickel finishes carry a Lifetime Limited warranty against manufacturing defects and tarnish to the original purchaser with the exclusion of kitchen drain assemblies which, due to the nature of their use, are not warranted. Santec recommended custom finishes carry a ten (10) years limited warranty against manufacturing defects and tarnish to the original purchaser with the exclusion of kitchen and pop-up drain assemblies which, due to the nature of their use, are not warranted. Kitchen products carry a three (3) year limited warranty.
2. **Cartridges:** Santec Cartridges carry a lifetime limited warranty against manufacturing defects for the life of the product to the original purchaser.
3. **Parts:** Santec parts carry a ten (10) year limited warranty against manufacturing defects, to the original purchaser. Kitchen products carry a five (5) year limited warranty.
4. **Warranty exclusions and limitations:** This warranty does not cover: damage due to negligence, accident, abuse, improper installation, or improper maintenance such as, but not limited to: heat from soldering during installation, the use of plumbers putty, damage from tools used during installation, the use or exposure to chemicals or cleaning products either abrasive or non abrasive or the use of any cleaning tool or product other than a soft, clean cloth. Pop-up assemblies are not covered under warranty. This warranty does not cover: changes in the finish or in the product due to normal wear or aging and does not cover any products or parts which have been altered or used in a manner not typical for the product. This warranty does not cover and Santec will not be held liable for damage to products caused by the freight carrier and a claim should be made immediately to the freight carrier should this occur. This warranty does not cover any cost involved in the installation, repair, or replacement of any Santec product or part. This warranty does not cover and Santec will not be held liable for any loss, damages, or expenses, incidental or consequential whatsoever, originating from the purchase, installation, use, repair, failure, or replacement of any Santec product or part, as allowed by law. The product or components of the covered product will either be repaired, refinished or replaced, at the sole discretion of Santec. Santec reserves the right to examine any product claimed defective prior to any warranty claim being accepted or processed, at its sole discretion. This warranty gives you specific legal rights and you may have other rights which may vary from state to state.

Effective 01/01/09 - Replaces and supersedes any previously issued warranty

### FINISH CARE INFORMATION

For clear coated or enamel color finishes:

We recommend that all faucets, drains, etc be gently wiped dry with a soft cloth after use to avoid water spotting and water deposit buildup. A mild liquid hand soap, such as Ivory may be used occasionally if desired. Use of non-abrasive carnauba wax will add protection to the finish and should be used if the faucets will not be dried after use.

For non-clear coated and specialty finishes:

We recommend that all faucets, drains, etc be gently wiped dry with a soft cloth after use to avoid water spotting and water deposit buildup. Use of a non-abrasive carnauba wax is required occasionally.

PLEASE REGISTER YOUR PRODUCT ONLINE FOR WARRANTY SERVICES

[www.santecfaucet.com/registration](http://www.santecfaucet.com/registration)